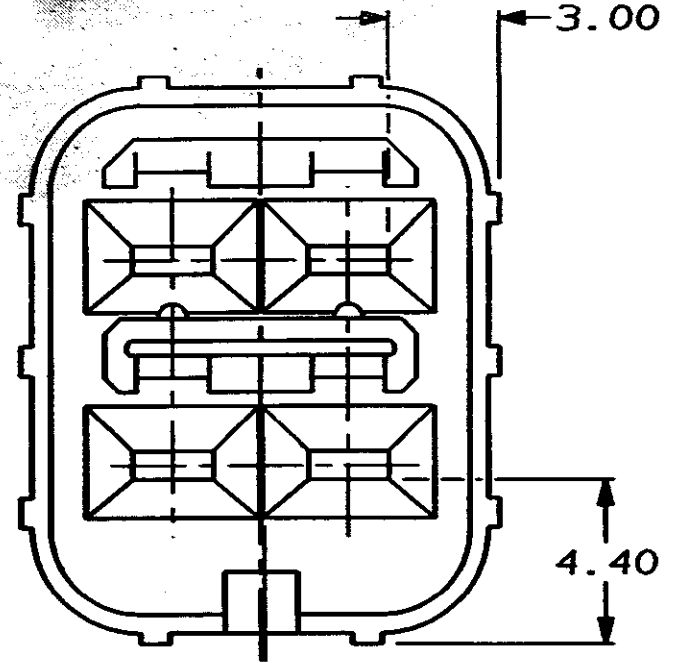
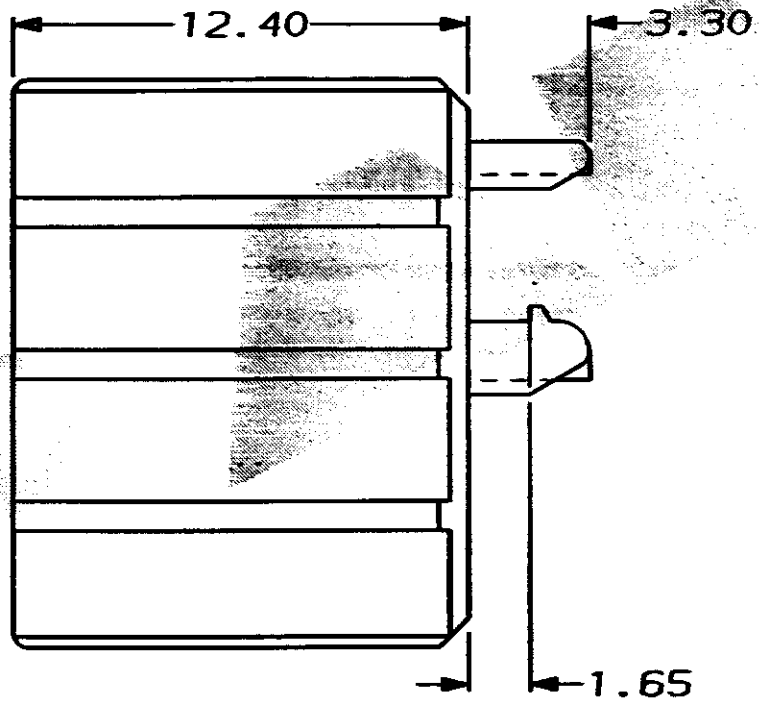
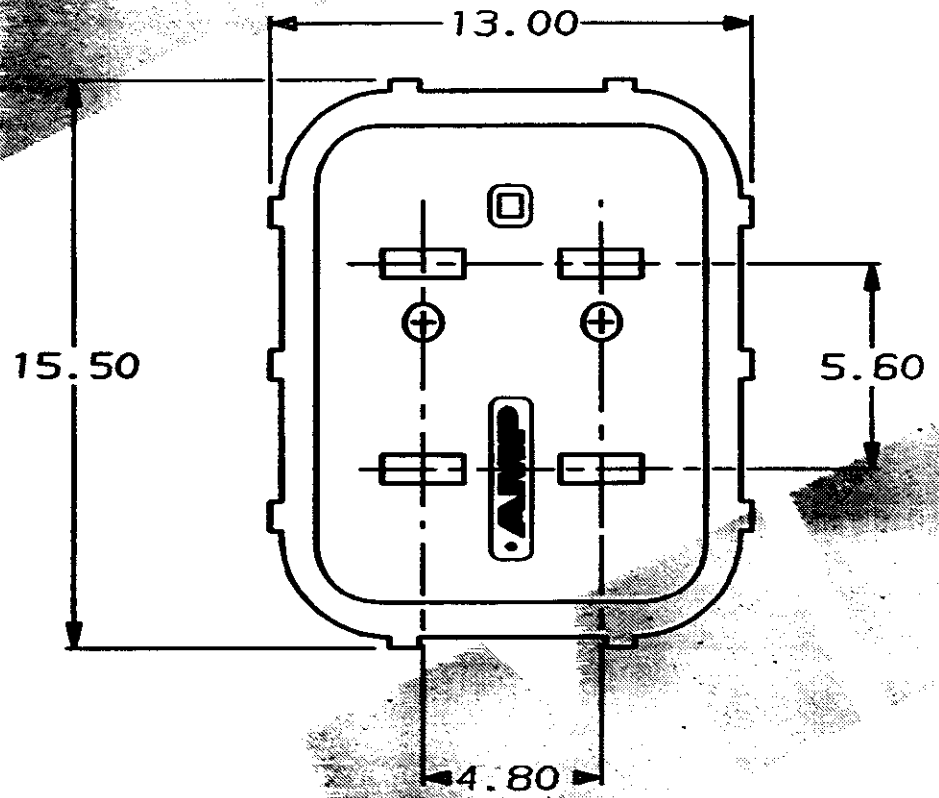
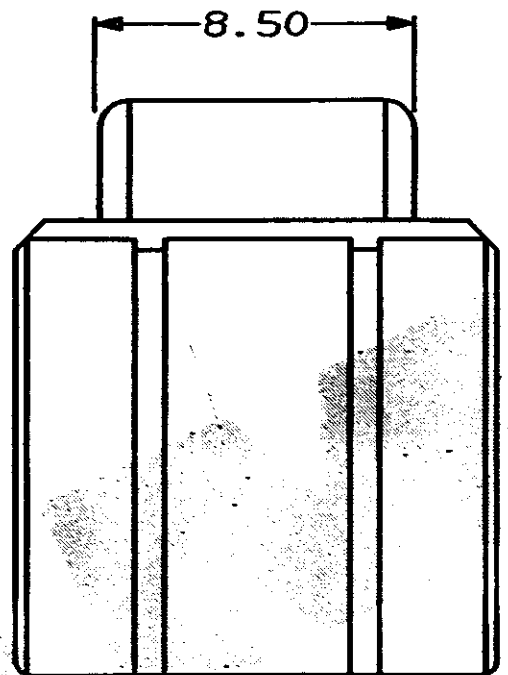
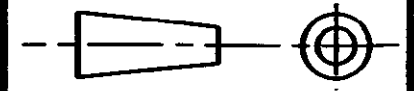


5. C345257.0

DO NOT SCALE

DIMENSIONS IN MM.



**NOTE**

THIS PART IS USED ON Pt.No. 344268-1

YELLOW		NYLON 66		345257-1	
COLOUR		MATERIAL		PART NUMBER	
CUSTOMER DWG FOR REFERENCE ONLY			©COPYRIGHT 1989 BY AMP OF GREAT BRITAIN LTD. ALL INTERNATIONAL RIGHTS RESERVED. ALL PRODUCTS MAY BE COVERED BY BRITISH AND FOREIGN PATENTS AND/OR PATENTS PENDING.		RELEASED FOR PUBLICATION 05 DEC 1989
-	-	-	-	TOLERANCES UNLESS OTHERWISE STATED DEC ± 0.5 ANGLES ± 1°	DR. R. RUNAGALL. 05/12/89 CH. D.R. TERRY. APP. R. SIMONS.
			AMP of Great Britain Ltd. TERMINAL HOUSE STANMORE MIDD.		
			NAME A/BACKOUT FOR 4 WAY TAB HSG. ECONOSEAL 3 LOW CURRENT		
0	REL. FOR PRODUCTION	C3580	10/08/90	SCALE	LOC
REV	APPROVED	ECN	DATE	5/1	E
				SIZE	DWG.No.
				A3	C345257
				REV	SHEET
				0	1/1