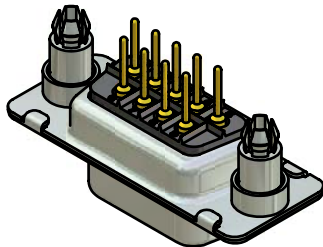
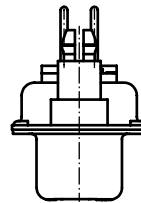
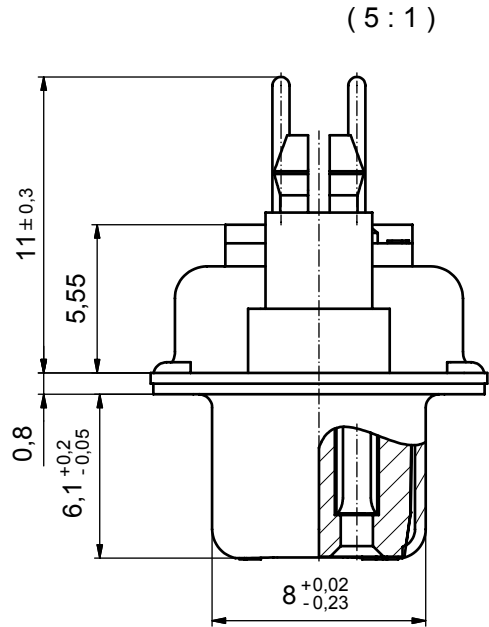
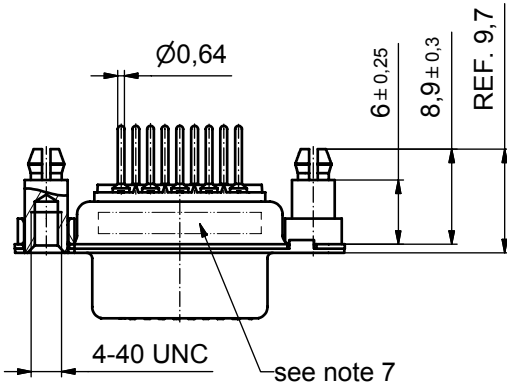
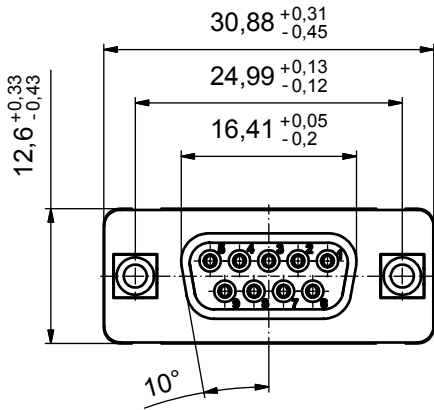


P.C.B. HOLE DRILLINGS



Directive 2002/95/EC  
RoHS  
Compliant

NOTES:

1. METAL SHELLS: STEEL; min. 315µin TIN over 40-80µin NICKEL
2. INSULATORS: PBT GF UL 94 V-0, BLACK
3. CONTACTS: COPPER ALLOY  
PLATING: 8µin HARD GOLD over min. 50µin NICKEL
4. THREADED REAR SPACER WITH PCB CLIP:  
COPPER ALLOY; min. 200µin TIN over 80µin NICKEL  
PCB-HOLE:  $\phi 3.1 \pm 0.1$ ; PCB THICKNESS 1,6mm
5. COLLAR: COPPER ALLOY; min. 200µin TIN over 80µin NICKEL
6. MAXIMUM TORQUE VALUE FOR THREAD: 6 in.LB
7. CONNECTOR IS PART MARKED: PART-NO. CONEC ABC

APPROVAL # FREIGABE # DEBLOCAGE # AUTORIZACION # APPROVAL	
CUSTOMER APPROVAL DATE:	
NAME:	TITLE:
COMPANY NAME:	
APPROVAL # FREIGABE # DEBLOCAGE # AUTORIZACION # APPROVAL	

finish: see notes				tolerance ISO 2768-m		dim. in mm		scale: 2:1 (5:1)	
date				name		title:		material: see notes	
drawn 24.08.06				Schmidt		D-SUB FEMALE 9pos. SOLDER PIN STRAIGHT with threaded rear spacer with PCB clip		dwg no: Inventor 10	
appd. 24.08.06				Kühle					
norm				d-old					
a Origin				CONEC®		16K1A1874		DIN-A3	
rev. description date name						part no: DSS1XSRAA56X		sh: 1	

DO NOT ALTER CAD DRAWING BY HAND				date		name		title:	
THIS DRAWING MAY NOT BE COPIED OR REPRODUCED IN ANY WAY, AND MAY NOT BE PASSED ON TO A THIRD PARTY WITHOUT WRITTEN PERMISSION. OWNERSHIP AND COPYRIGHT OF CONEC GmbH				24.08.06		Schmidt		D-SUB FEMALE	
DRAWN				24.08.06		Kühle		9pos. SOLDER PIN STRAIGHT	
APPD.								with threaded rear spacer with PCB clip	
NORM								dwg no: Inventor 10	
D-OLD								DIN-A3	
a Origin				CONEC®		16K1A1874		sh: 1	
rev. description date name						part no: DSS1XSRAA56X			

DO NOT ALTER CAD DRAWING BY HAND				date		name		title:	
THIS DRAWING MAY NOT BE COPIED OR REPRODUCED IN ANY WAY, AND MAY NOT BE PASSED ON TO A THIRD PARTY WITHOUT WRITTEN PERMISSION. OWNERSHIP AND COPYRIGHT OF CONEC GmbH				24.08.06		Schmidt		D-SUB FEMALE	
DRAWN				24.08.06		Kühle		9pos. SOLDER PIN STRAIGHT	
APPD.								with threaded rear spacer with PCB clip	
NORM								dwg no: Inventor 10	
D-OLD								DIN-A3	
a Origin				CONEC®		16K1A1874		sh: 1	
rev. description date name						part no: DSS1XSRAA56X			