

120mm sq.

San Ace 120WF



General Specifications

- Material Frame: Plastics (Flammability: UL94V-0),
Impeller: Plastics (Flammability: UL94V-0)
- Expected Life Refer to specifications (L10:Survival rate: 90% at 60°C ,
rated voltage, and continuously run in a free air state)
- Lead Wire ⊕red ⊖black (Sensor) yellow
- Storage Temperature -30°C to +70°C (Non-condensing)

The product can be used in an oil mist environment*

*Environment where machining oil mist is scattered.
Usage of this product requires an evaluation with the oil that will be used.

120×120×38mm (Mass : 355g) **9WF type**

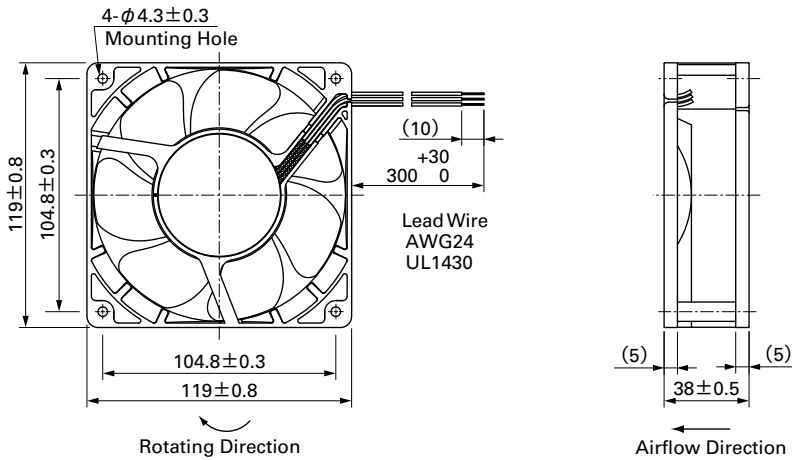
Specifications

The following nos. **have pulse sensors and ribs.**

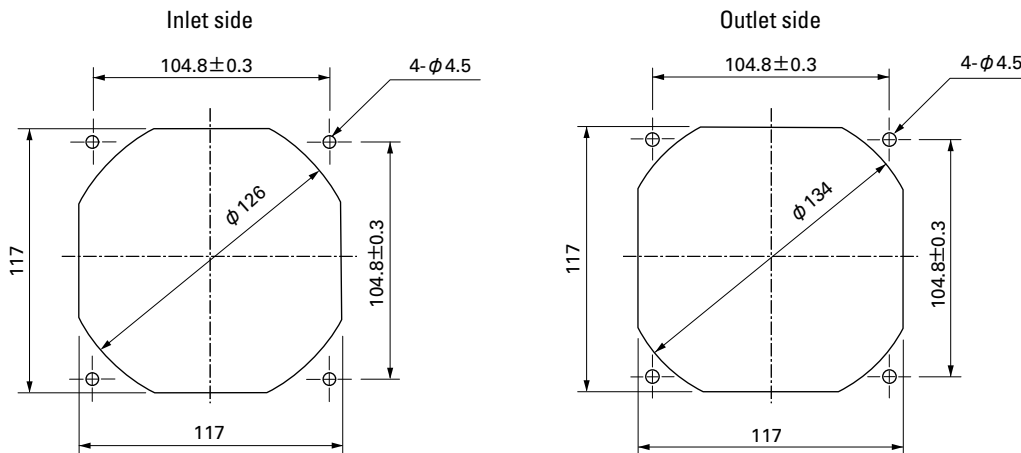
Model No.	Rated Voltage [V]	Operating Voltage Range [V]	Rated Current [A]	Rated Input [W]	Rated Speed [min ⁻¹]	Max. Airflow [m ³ /min] [CFM]	Max. Static Pressure [Pa] [inchH ₂ O]	SPL [dB(A)]	Operating Temperature [°C]	Expected Life [h]
9WF1224H101	24	20.4 to 27.6	0.32	7.68	3,100	3.34 118	100 0.40	46	- 20 to + 70	40,000/60°C

Other sensor specifications are available as options. Please refer to the index (p. 511).

Dimensions (unit: mm)



Reference Dimensions of Mounting Holes and Vent Opening (unit: mm)

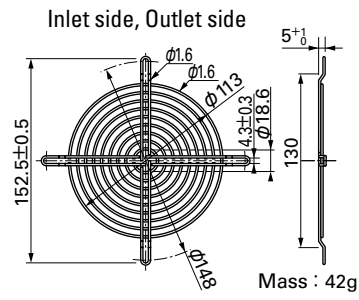
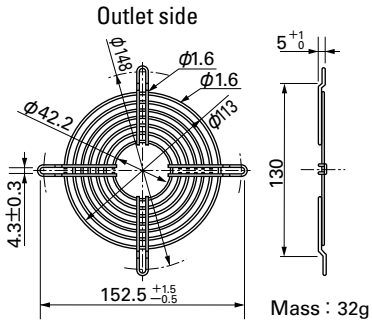


Options (unit: mm)

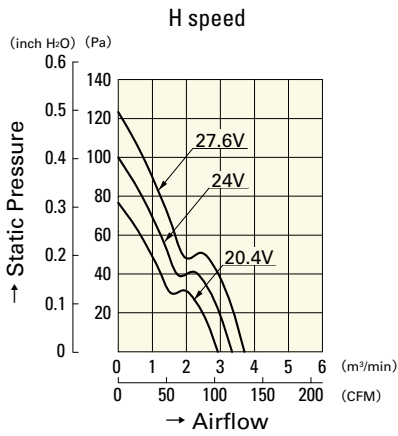
Finger Guards

Model : 109-019C Surface treatment : Nickel-chrome plating (silver) Color : 109-019H : Cation electropainting (black)

Model : 109-019E Surface treatment : Nickel-chrome plating (silver) Color : 109-019K : Cation electropainting (black)



Airflow - Static Pressure Characteristics



9WF1224H101

DC

Oil Proof Fan 120mm