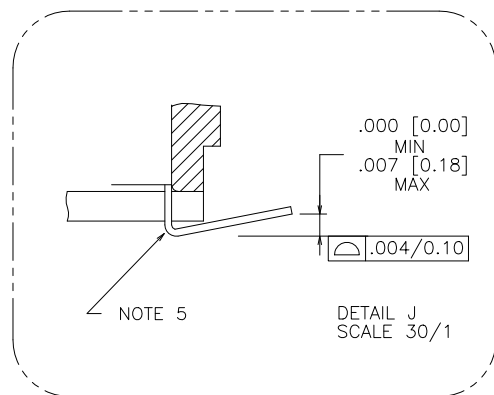
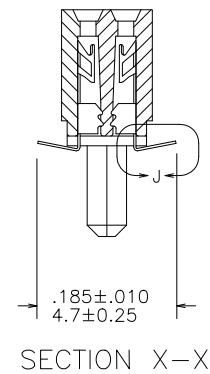
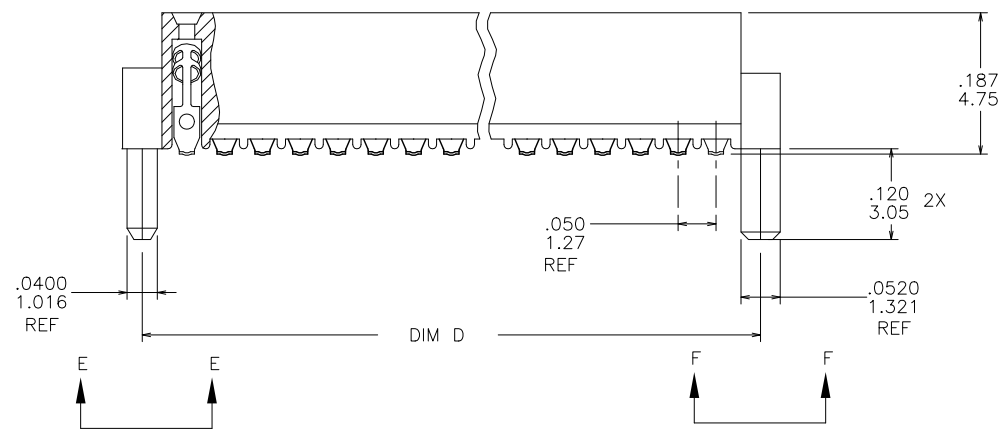
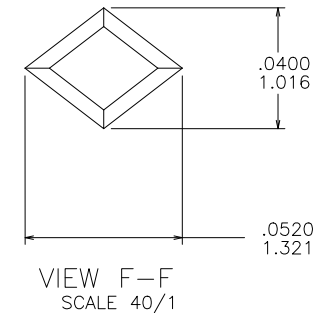
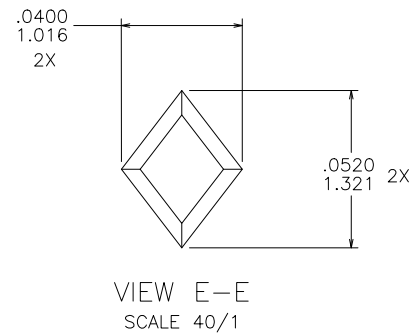
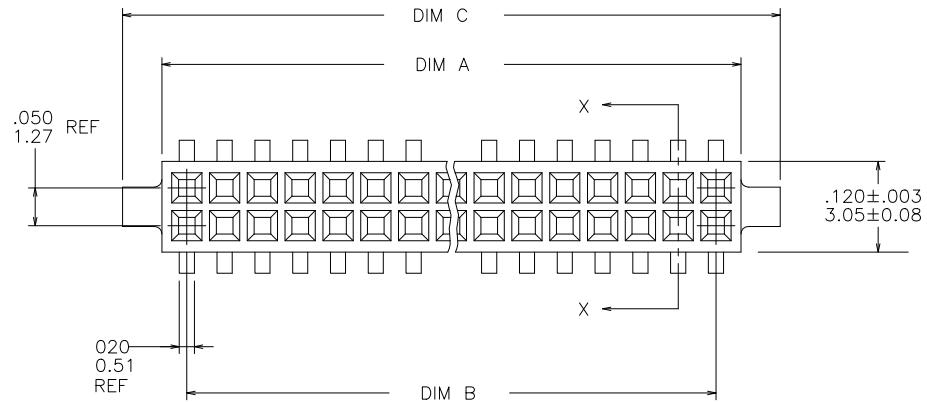


PRODUCT NUMBER
SEE TABLE



mat'l. code				surface		tolerance		projection		product family	
-				ISO 1302 ✓		ISO 406 ISO 1101				RIBCAGE	
tolerances unless otherwise specified				angles		linear		INCH/MM		title	
M	V10994	DLW	3/9/01	° ± 2°		.XX ± .01/0.3		scale 4:1		.050/1.27 CC V.C.C	
N	V11674	CRG	6/22/01			.XXX ± .005/0.13				SMT. W/HOLD DOWN	
P	M05-0123	ERE	6/10/05			.XXXX ± .0020/0.051				dwg no	
R	M06-0225	ERE	6/12/06	dr		M. CORNMAN 7/22/91				sheet 1 of 2 size	
S	M06-0370	MHT	9/26/06	enfr		M. HAHN 7/22/91				87814 A3	
T	M09-0058	CMR	4/06/09	chr		M. HAHN 7/22/91				type Product Customer Drawing	
U	ELX-N-010207	YO	2/8/12	appd		M. HAHN 7/22/91					
sheet	revision	U	U								
index	sheet	1	2								

PRODUCT NUMBER NOTE 6 & 7	SIZE	DIM A	DIM B	DIM C	DIM D
87814-605	2 X 5	.266/6.76	.200/5.08	.370/9.40	.3200/8.128
-610	2 X 10	.516/13.11	.450/11.43	.620/15.75	.5700/14.478
-615	2 X 15	.766/19.46	.700/17.78	.870/22.10	.8200/20.828
-620	2 X 20	1.016/25.81	.950/24.13	1.120/28.45	1.0700/27.178
-625	2 X 25	1.266/32.16	1.200/30.48	1.370/34.80	1.3200/33.528
-630	2 X 30	1.516/38.51	1.450/36.83	1.620/41.15	1.5700/39.878
-635	2 X 35	1.766/44.86	1.700/43.18	1.870/47.50	1.8200/46.228
-640	2 X 40	2.016/51.21	1.950/49.53	2.120/53.85	2.0700/52.578
-645	2 X 45	2.266/57.56	2.200/55.88	2.370/60.20	2.3200/58.928
87814-650	2 X 50	2.516/63.91	2.450/62.23	2.620/66.55	2.5700/65.278

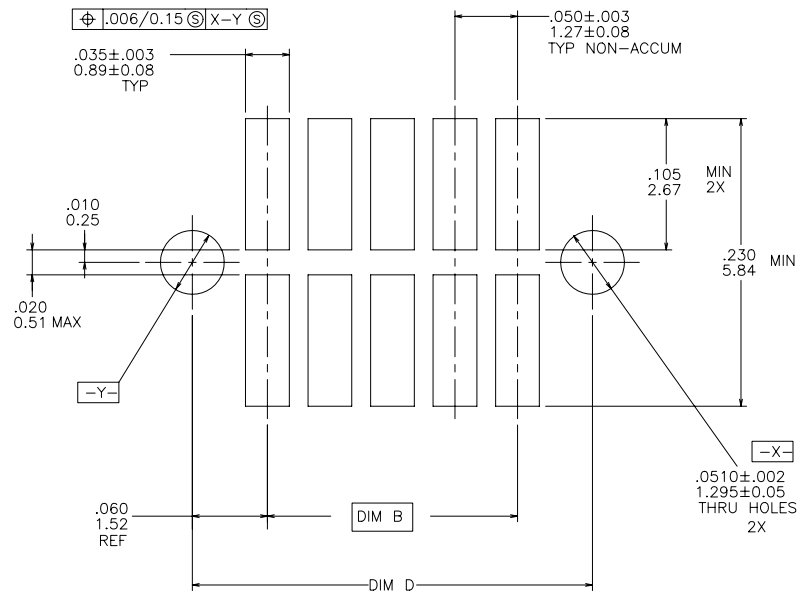


FIGURE A
RECOMMENDED
P.C.B. LAYOUT

NOTES:

- ① HOUSING MATERIAL:
GLASS FILLED THERMOPLASTIC FLAME RETARDANT PER UL 94V-0
COLOR: NATURAL
- ② TERMINAL MATERIAL: BeCu
- ③ TERMINAL PLATING:
30u"/0.76u MIN HARD GOLD OR GXT OVER Ni ON CONTACT ZONES.
100u"/2.54u MIN Sn OVER Ni IN SOLDERING ZONES.
OTHERWISE GOLD FLASH OR UNPLATED
4. APPLICATION INFORMATION:
 - A. RECOMMENDED MOUNTING PAD PATTERN IS SHOWN IN FIGURE "A".
 - B. MATING PINS TO BE .0176/0.447 TO .0181/0.459 THICK.
 - C. MATING PIN TIPS TO BE IN TRUE POSITION TO MATING GRID WITHIN .008/0.20 DIA.
 - D. SUGGESTED MATING PIN LENGTH .130/3.30 ±.010/0.25.
- ⑤ LEAD TIPS TO BE ABOVE HEEL, UP TO .007/0.18 MAX. COPLANARITY TO BE MEASURED AT LOWEST POINT (HEEL).
6. ADD "CT" TO END OF DASH NUMBER FOR CONNECTOR WITH VACUUM CAP IN TUBE.
- ⑦ ADD "LF" SUFFIX AT THE END OF PART NUMBER FOR LEAD FREE OPTION.
8. THIS PRODUCT MEETS EUROPEAN UNION DIRECTIVES AND OTHER COUNTRY REGULATION AS DESCRIBED IN GS-22-008.
9. THE HOUSING WILL WITHSTAND EXPOSURE TO 260° PEAK TEMPERATURE FOR 20 SECONDS IN A CONVECTION INFRA-RED OR VAPOR PHASE REFLOW OVEN. SEE APPLICATION NOTES/PROCEDURES IF THEY ARE AVAILABLE.
10. PRODUCT SPECIFICATION PER BUS-12-087.

mat'l. code -		surface ISO 1302 ✓		tolerance ISO 406 ISO 1101		projection INCH/MM		product family RIBCAGE	
ltr		ecn no dr date		tolerances unless otherwise specified		title		.050/1.27 CC V.C.C SMT. W/HOLD DOWN	
U				.XX±.01/0.3		INCH/MM		sheet 2 of 2 size	
				.xxx±.005/0.13		scale 4:1		87814 A3	
				0°±2'		.xxxx±.0020/0.051		type Product Customer Drawing	
		dr M. CORNMAN 7/22/91		engr M. HAHN 7/22/91		chr M. HAHN 7/22/91		appd M. HAHN 7/22/91	
sheet index		revision sheet							