

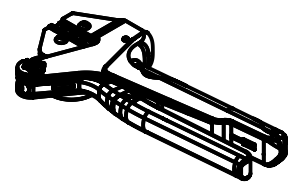
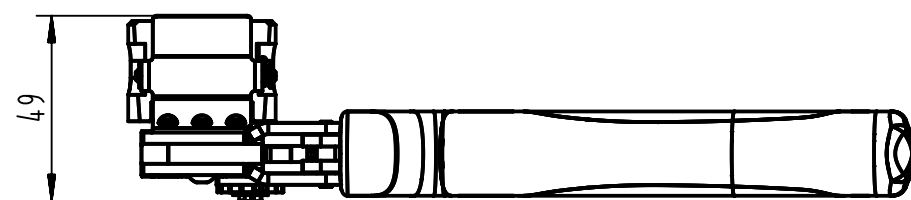
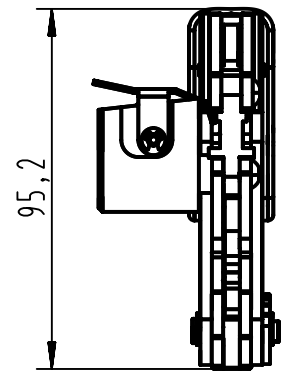
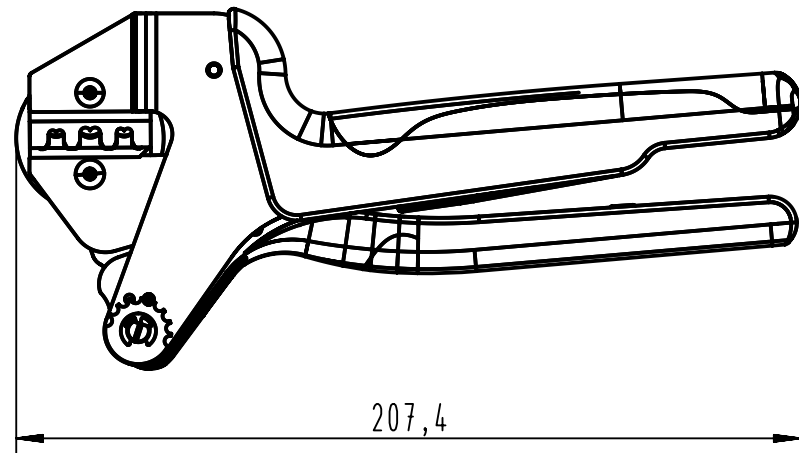
1 2 3 4 5 6

A

B


C

D



cross section range:

- Profil 1 4mm²
- Profil 2 10mm²
- Profil 3 6mm²

	All Dimensions in mm Original Size DIN A4	Scale 1:2	Free size tol.			Ref.
	All rights reserved Department EL PD - DE	Created by FINKEV	Inspected by SCHNIEDER	Standardisation SCHMIDTM	Date 2012-09-27	State Final Release
HARTING Electric GmbH & Co. KG D-32339 Espelkamp		Title crimping tool Han-Fast Lock			Doc-Key / ECM-Nr. 100515379/UGD/001/A	
		Type TB	Number 09 99 000 0831			Rev. A
					Page 1/1	