

THIS DRAWING IS UNPUBLISHED.

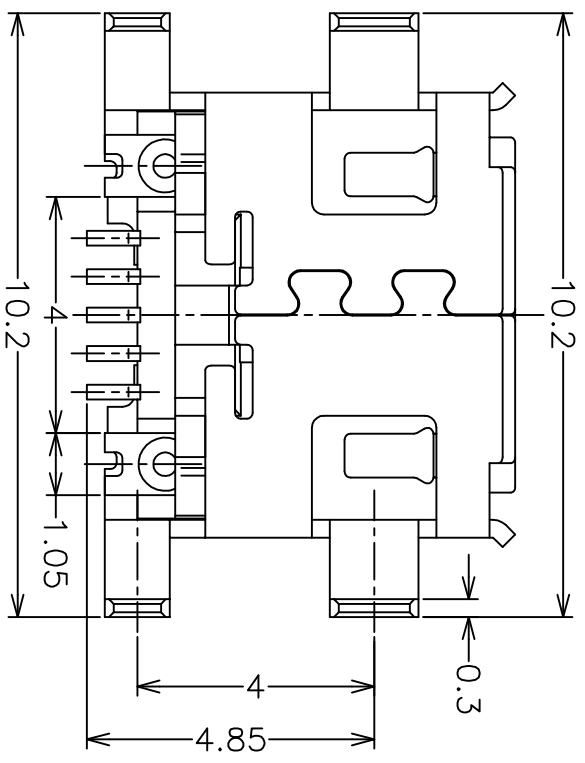
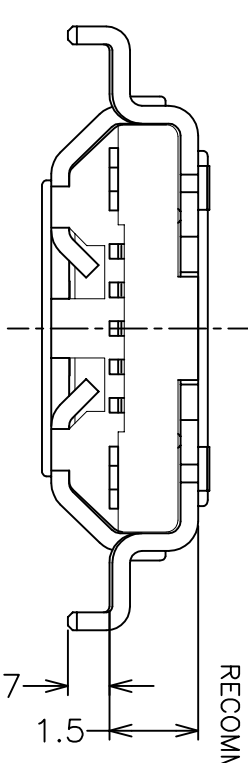
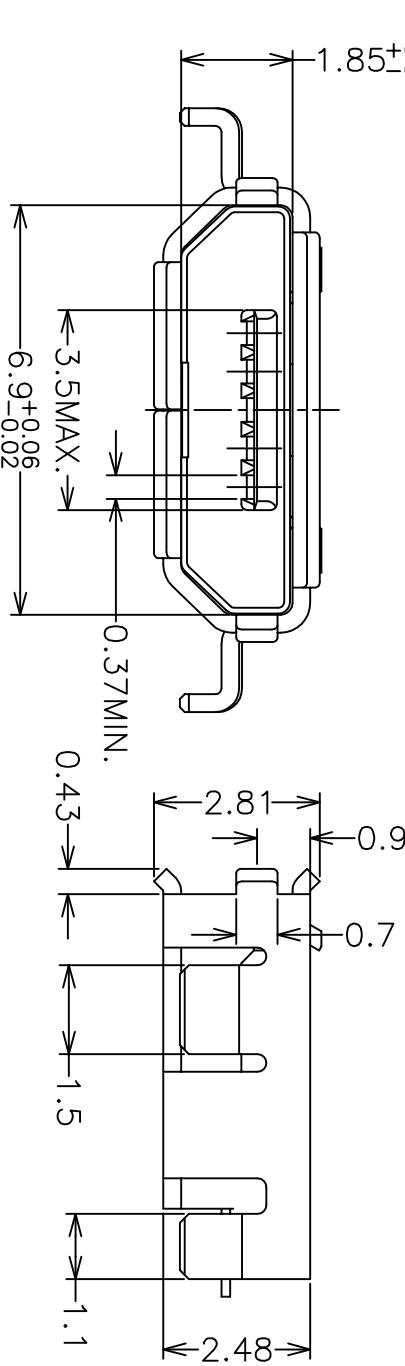
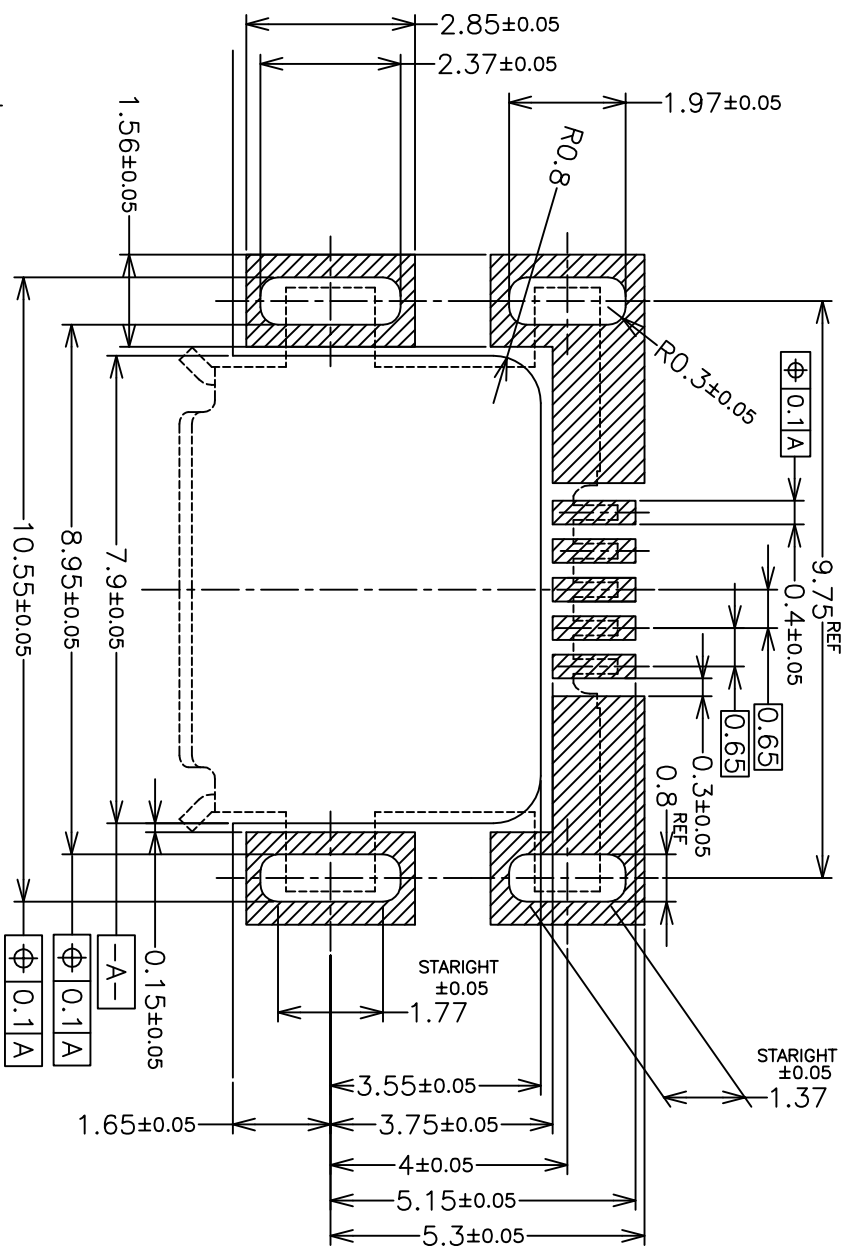
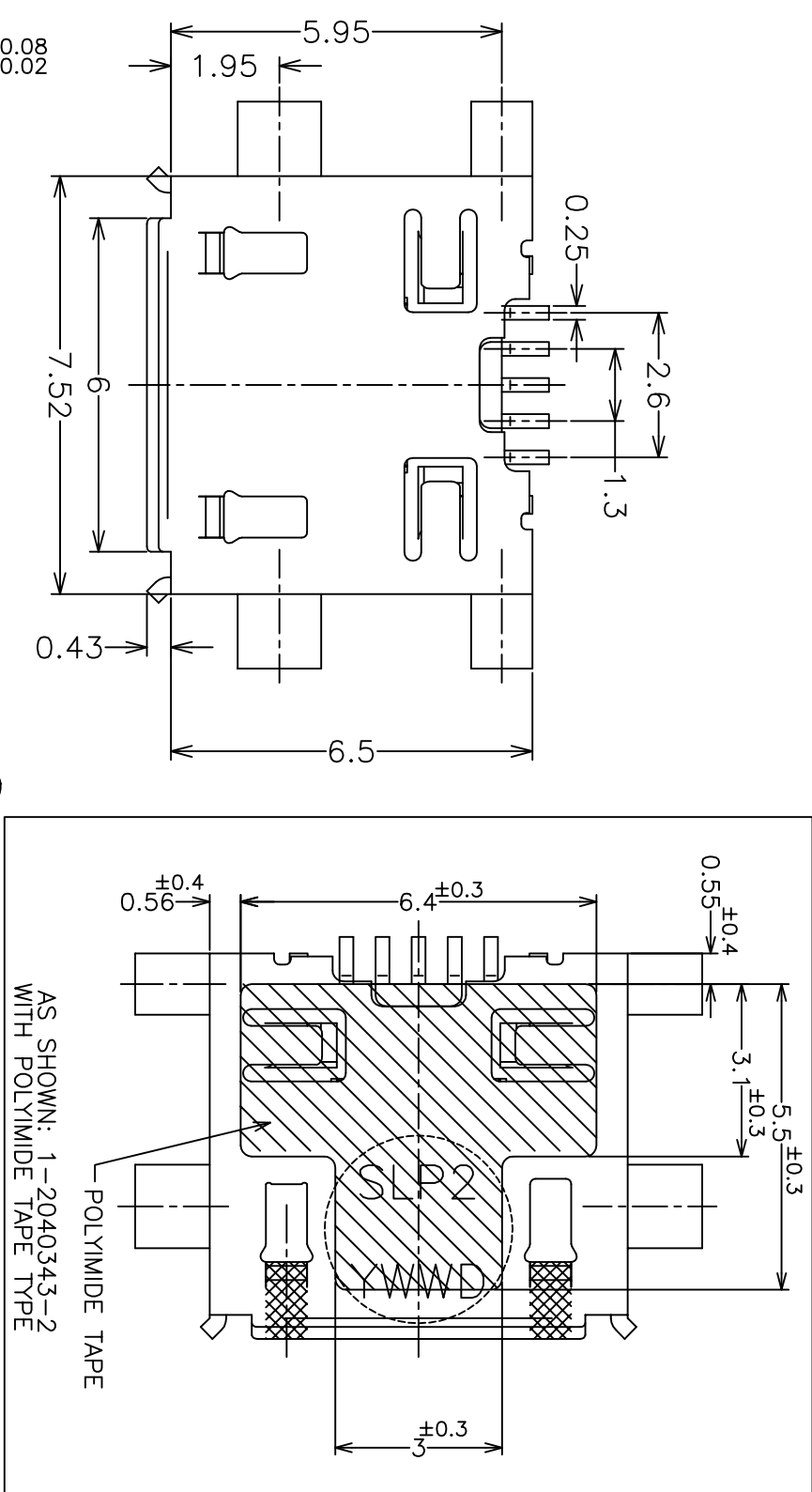
RELEASED FOR PUBLICATION

ALL RIGHTS RESERVED.

© COPYRIGHT - By -

REVISIONS

REV	DESCRIPTION	DATE	DMN	APVD
A	RELEASED		OSMAR09	M.I
B1	REVISED ECR-12-000186		SMAR2012	T.Z S.Y



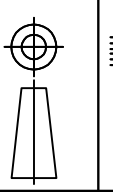
KOAN HAO SKALGT5T75	WITH	1-2040343-2
WITHOUT	WITH	2040343-2
TAPE MATERIAL	LASER WELDING	PARTS NUMBER

STE TE Connectivity

MICRO USB CONNECTOR
MID-MOUNT DIP

THIS DRAWING IS A CONTROLLED DOCUMENT.

DIMENSIONS:
单位: 毫米



TOLERANCES UNLESS OTHERWISE SPECIFIED:	公差
0 PLC	± 0.3
1 PLC	± 0.3
2 PLC	± 0.3
3 PLC	± 0.3
4 PLC	± 0.3
ANGLES	± 3°

MATERIAL
材料

DMN	M.IWASAKI
CHK	A.KUBO
APVD	Y.NAKAZAWA

NAME	名称
APVD	Y.NAKAZAWA
PRODUCT SPEC	製品规格
APPLICATION SPEC	取付通用规格
WEIGHT	重量

CUSTOMER DRAWING

SIZE	A3
CAGE CODE	300779
DRAWING NO	2040343
SCALE	8:1
SHEET	1 of 2
REV	B1

THIS DRAWING IS UNPUBLISHED.

RELEASED FOR PUBLICATION

ALL RIGHTS RESERVED.

© COPYRIGHT - By -

REVISIONS

変更 DESCRIPTION	DATE	DMN	APVD
P LTR			
SEE SHEET 1			

カバナーメーカー部

外周巻

WIDE COVER TAPE AROUND
OUT PERIPHERY 1 TURN

剥離強度 0.2~0.7N MAX(300±10mm/min)
PEELING STRENGTH
剥離強度165~180°
PEELING ANGLE

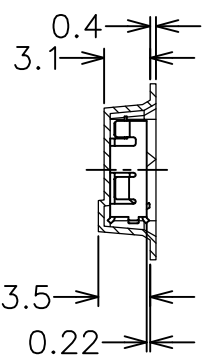
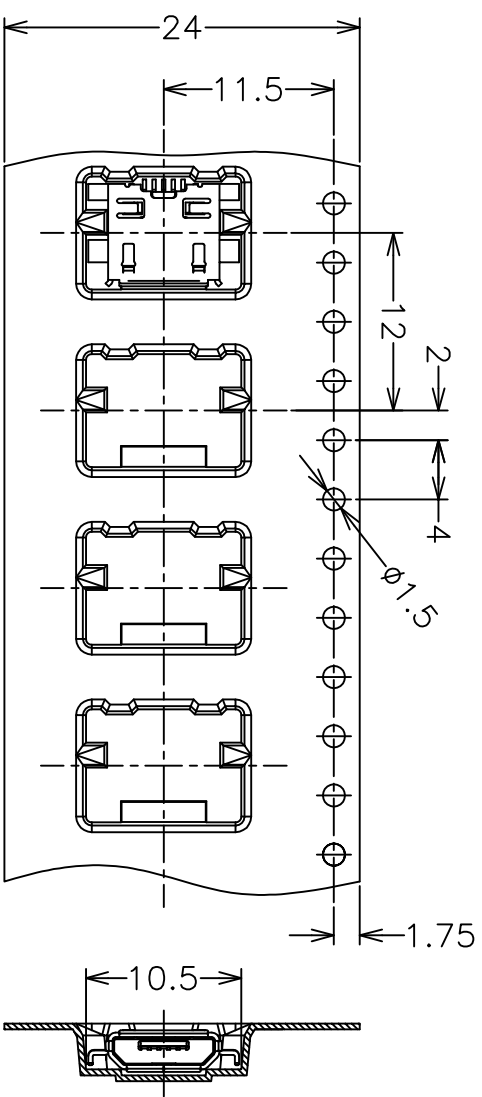
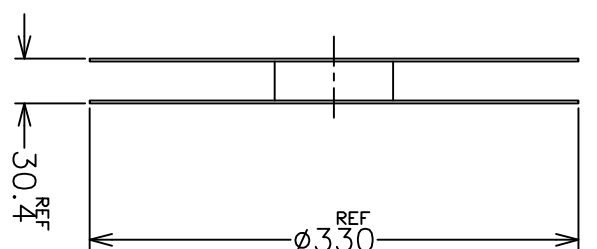
引き出し方向
TOP OF REEL

1000個/リール
1000EA/REEL

HOLE
8穴

WITHOUT CHARGE
空部
300mm程度
APPRDX

WITH PRODUCT CHARGE
製品装填部
WITHOUT CHARGE
空部
600mm程度
APPRDX



TOP OF REEL →

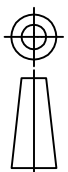
THIS DRAWING IS A CONTROLLED DOCUMENT.

DIMENSIONS:
単位: 特
mm

TOLERANCES UNLESS
OTHERWISE SPECIFIED:
一般公差

0	PLC	±
1	PLC	±
2	PLC	±
3	PLC	±
4	PLC	±
ANGLES		±
FINISH		仕上

MATERIAL
材料



DMN	-	DMN	-	NAME	名称	STE	TE Connectivity
CHK	-	APVD	-	PRODUCT SPEC	製品規格	MICRO USB CONNECTOR	MID-MOUNT DIP
APPLICATION SPEC		APPLICATION SPEC		SIZE	A3	CAGE CODE	00779
WEIGHT		CUSTOMER DRAWING		DRAWING NO	番号	2040343	
SCALE		NTS	SHEET	2 of 2	RESTRICTED TO	B1	