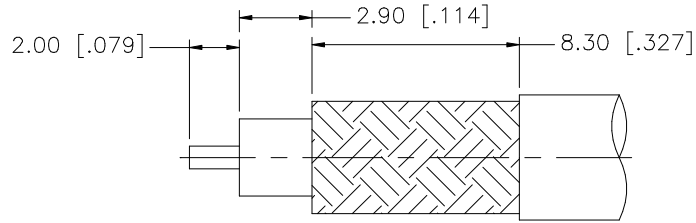
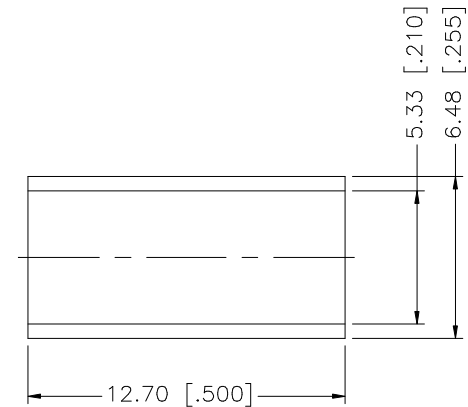
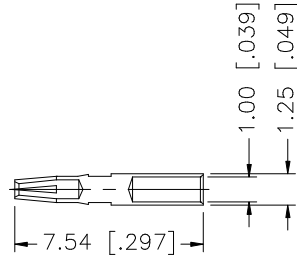
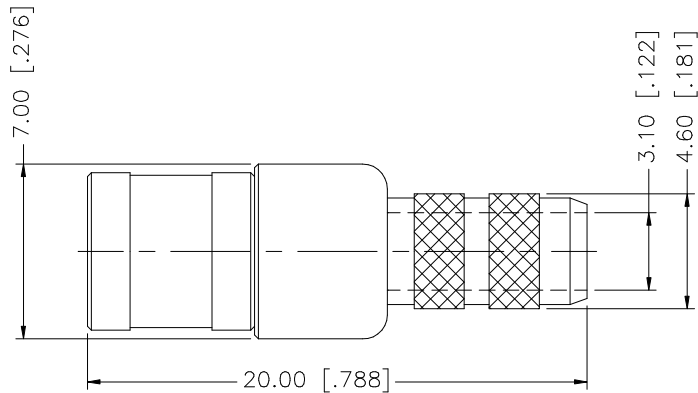


REV.	DATE	DESCRIPTION
NC	11/08/99	INITIAL RELEASE
A	10/01/06	UPDATE DRAWING FORMAT



RECOMMENDED
CABLE STRIPPING DIM'S



NOTE:

1. CRIMPED FERRULE HEX CRIMP SIZE .213"

				UNLESS OTHERWISE SPECIFIED DIMENSIONS ARE IN MILLIMETERS, DIMENSIONS IN [] ARE IN INCHES AND FOR CUSTOMER REFERENCE ONLY.	APPROVALS	DATE	Amphenol Connex			
8				UNLESS OTHERWISE SPECIFIED TOLERANCES FOR MILLIMETERS ARE: 0.5 – 8mm ± 0.20mm 8 – 30mm ± 0.40mm 30 – 120mm ± 0.50mm UNLESS OTHERWISE SPECIFIED TOLERANCES FOR INCHES ARE: .020 – .315 ± 0.007" .315 – 1.180 ± 0.015" 1.180 – 4.724 ± 0.020" DO NOT SCALE DRAWING	DRAWN	G.R.S.				10/01/06
7					CHECKED			PART NO. 142254		
6					ISSUED					
5					SHEET	1 OF 1		REV. A	SIZE A	SCALE NA
4	FERRULE	COPPER	NICKEL		1	CAD FILE C:/142/142254.DWG				
3	CONTACT PIN	BER. COPPER	GOLD	1						
2	INSULATOR	TEFLON	NATURAL	1						
1	BODY	BRASS	NICKEL	1						
DESCRIPTION				MATERIAL	FINISH	QTY				