

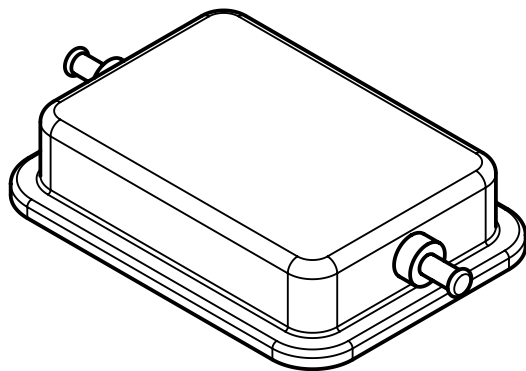
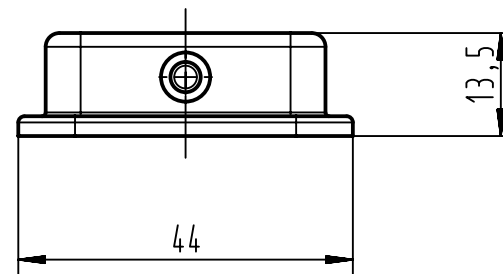
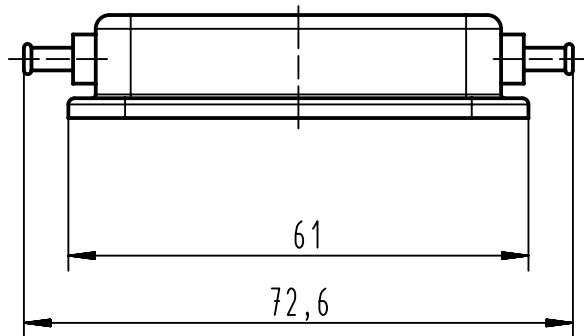
1 2 3 4 5 6

A

B

C

D



| | | | | | | | | | |
|-------------------------------------------------------------------------------------|-----------------------------------------------------|--|-------------------------------------------|--|---------------------------------------------|--|------------------------------------------|-----------------|--|
|  | All rights reserved Department EL PD - DE | | Created by GRUBES Inspected by SCHLEPP | | Standardisation SCHMIDTM Date 2012-08-01 | | State Final Release | | |
| | HARTING Electric GmbH & Co. KG D-32339 Espelkamp | | Title Dust protection cover Han 6B for ML | | | | Doc-Key / ECM-Nr. 100508952/UGD/001/A | | |
| | | | Type TB | | Number 09 30 006 5404ML | | | Rev. A Page 1/1 | |



All Dimensions in mm

Tech. Character.

Free size tol.

According to production drawing