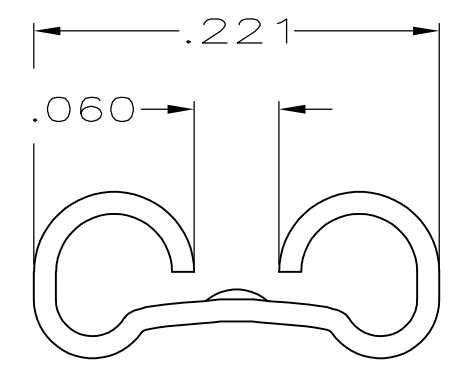
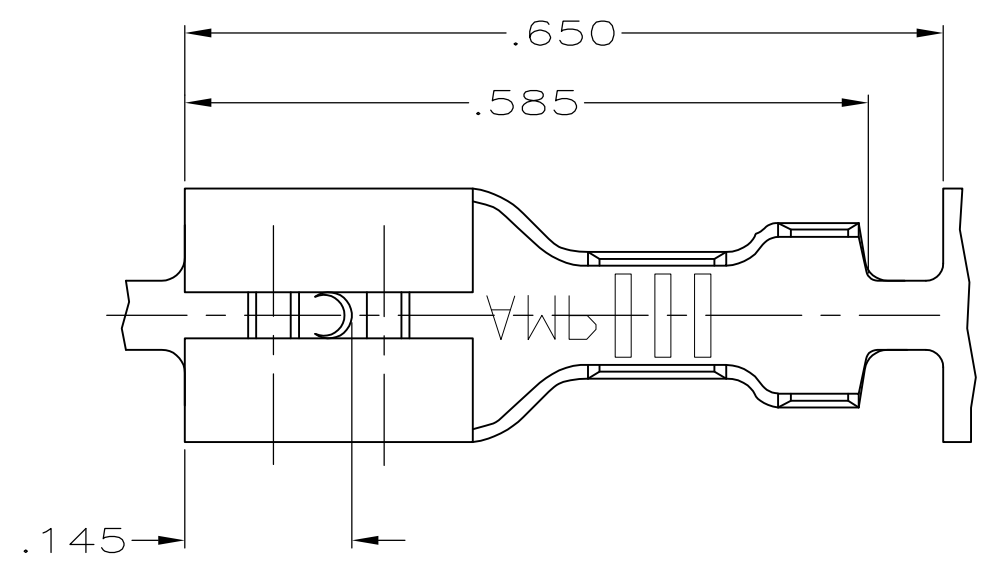


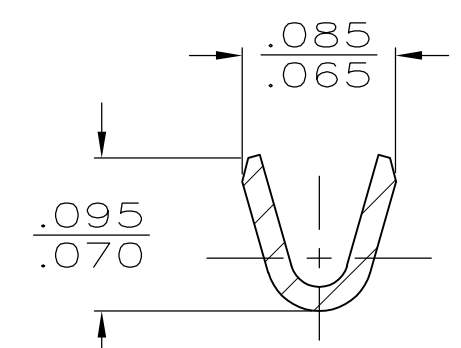
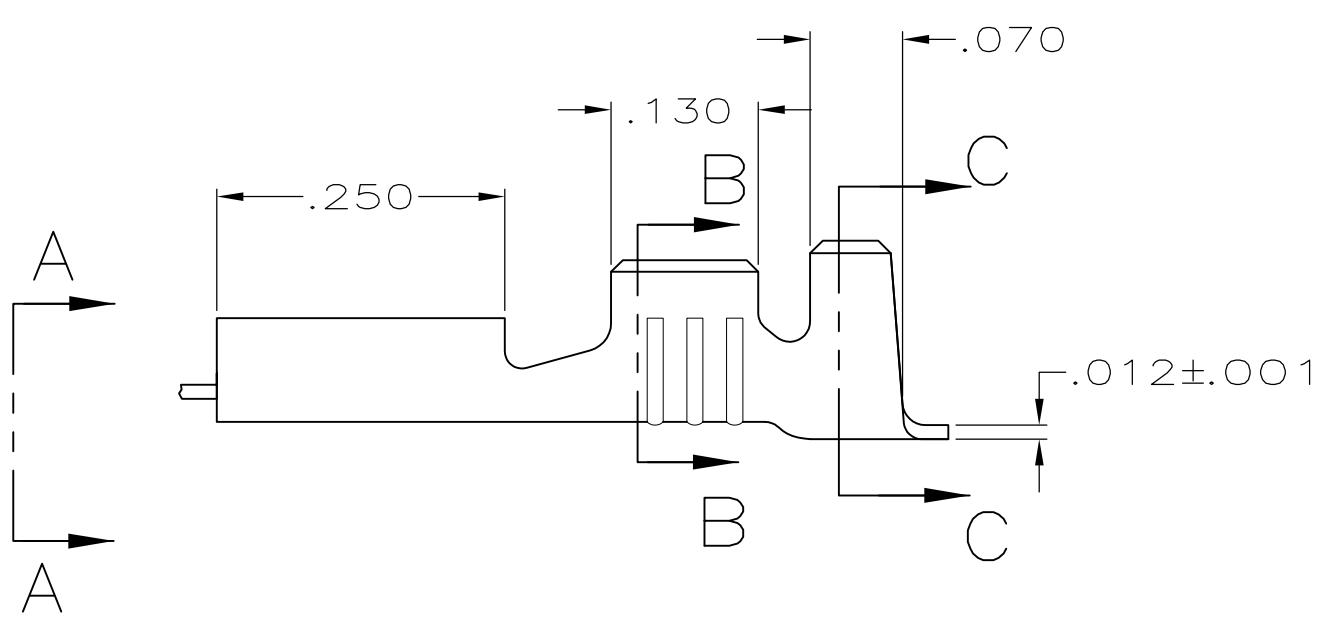
THIS DRAWING IS UNPUBLISHED. RELEASED FOR PUBLICATION
 © COPYRIGHT - By - ALL RIGHTS RESERVED.

LOC	DIST	REVISIONS			
P	LTR	DESCRIPTION	DATE	DWN	APVD
AF	50				
	E	REVISED PER ECR-12-013459	27NOV2012	KH	PD

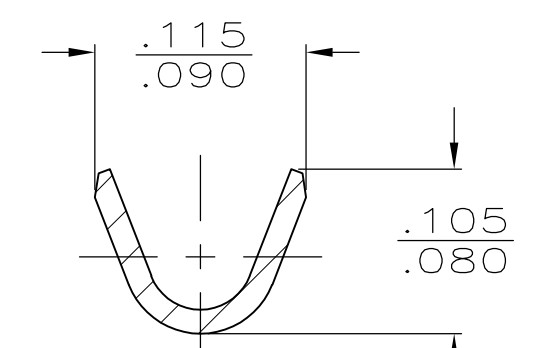
- 1 CONTINUOUS STRIP ON REELS.
- 2 WIRE SIZE #24-#20 AWG
- 3 INSULATION RANGE IS .040-.070 DIA
- 4 MATING TAB THK IS .032±.001
- 5 REELED WITH INTERLEAVING PAPER
- 6 PRELIMINARY - NOT FOR PRODUCTION



VIEW A-A
SCALE 10:1



SECTION B-B
SCALE 10:1



SECTION C-C
SCALE 10:1

6	5	62181-2
		62181-1
PART NO.		

THIS DRAWING IS A CONTROLLED DOCUMENT.		DWN	JR RUTH	2/26/90	STE TE Connectivity		
DIMENSIONS: INCHES		CHK	MS FEHER	2/26/90			
TOLERANCES UNLESS OTHERWISE SPECIFIED:		APVD	R KUZO	2/26/90	NAME		
0 PLC ± -		PRODUCT SPEC		RECEPTACLE, FASTON, .187 SERIES			
1 PLC ± -		APPLICATION SPEC		-			
2 PLC ± -		SIZE	A3	CAGE CODE	00779	DRAWING NO	C-62181
3 PLC ± .015		WEIGHT		-		RESTRICTED TO	
4 PLC ± -		CUSTOMER DRAWING					
ANGLES ± -		SCALE	6:1	SHEET	1 OF 1	REV	E
MATERIAL	BRASS	FINISH	TIN				