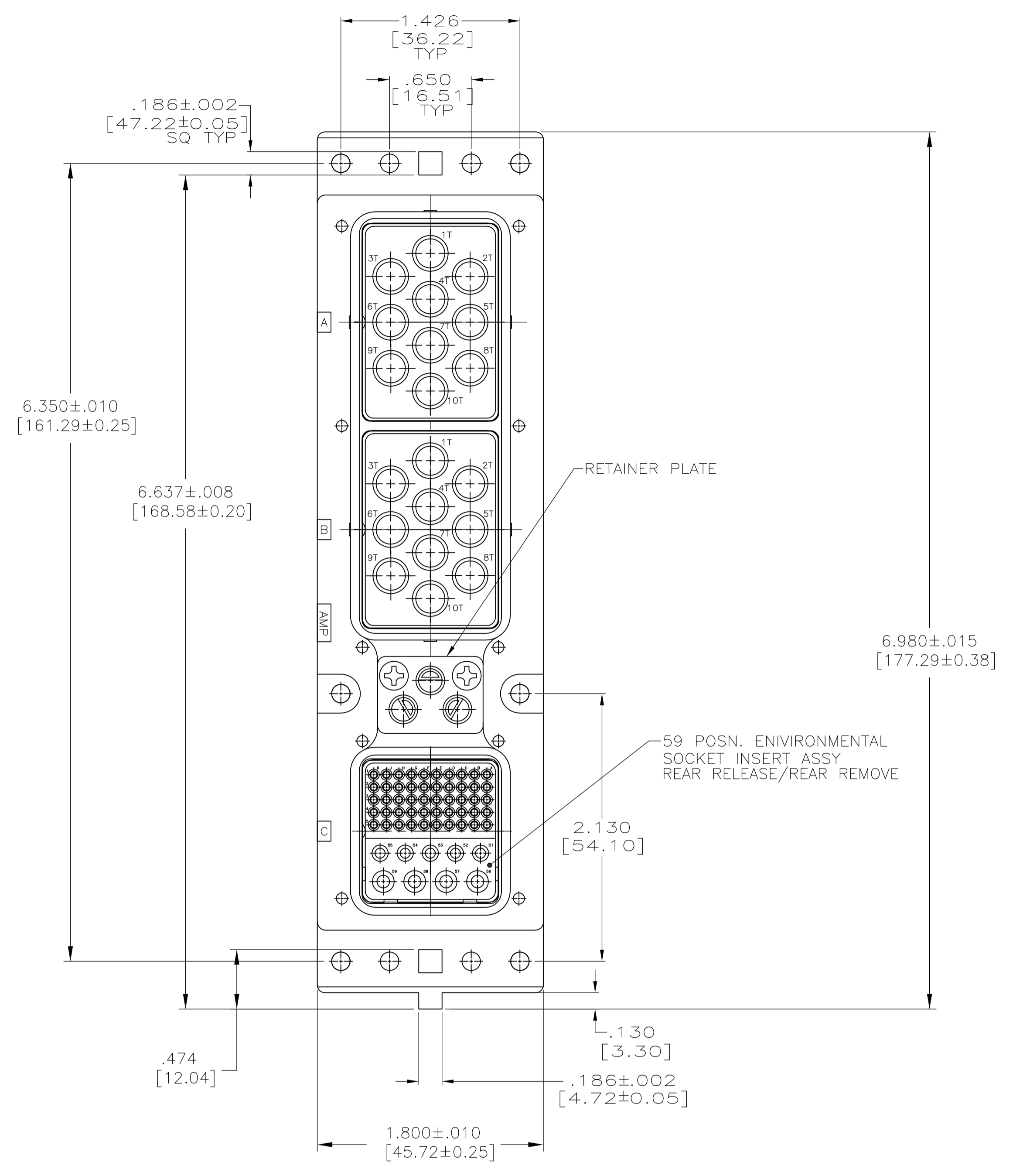
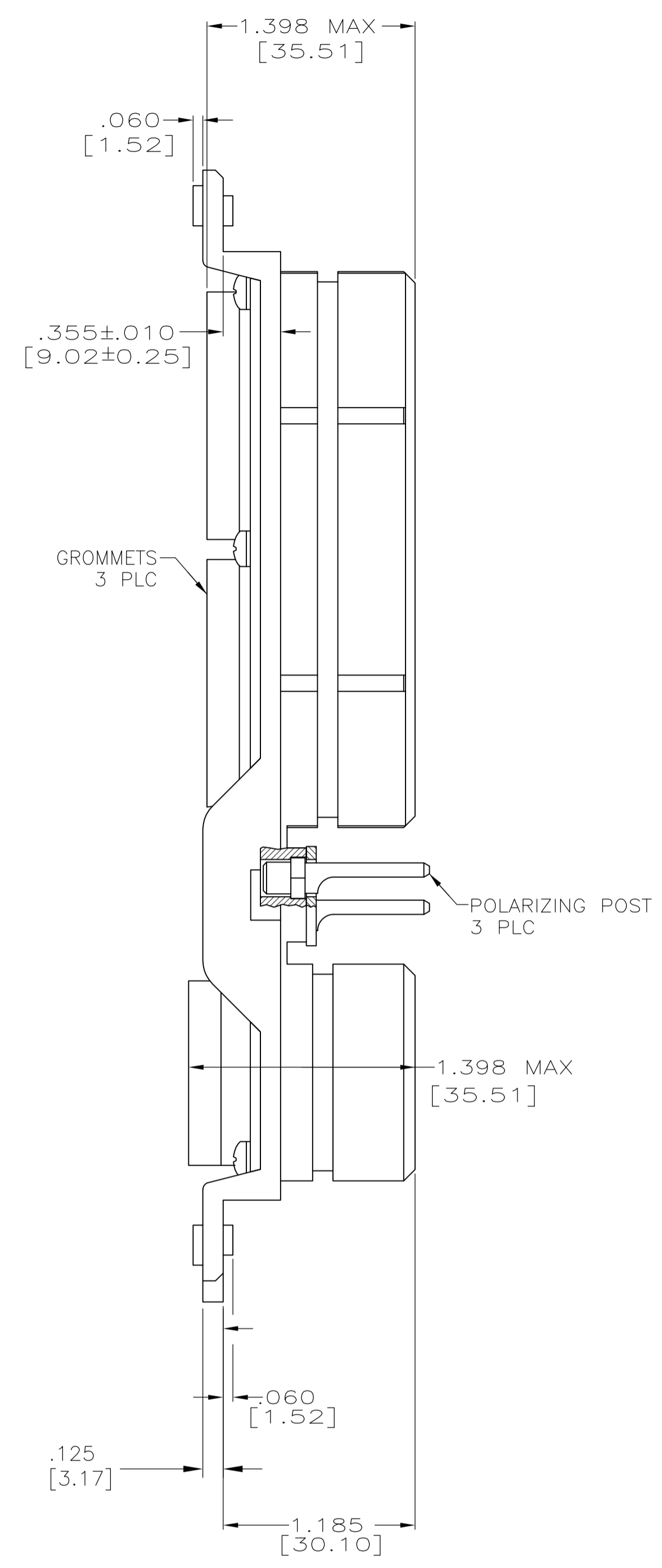
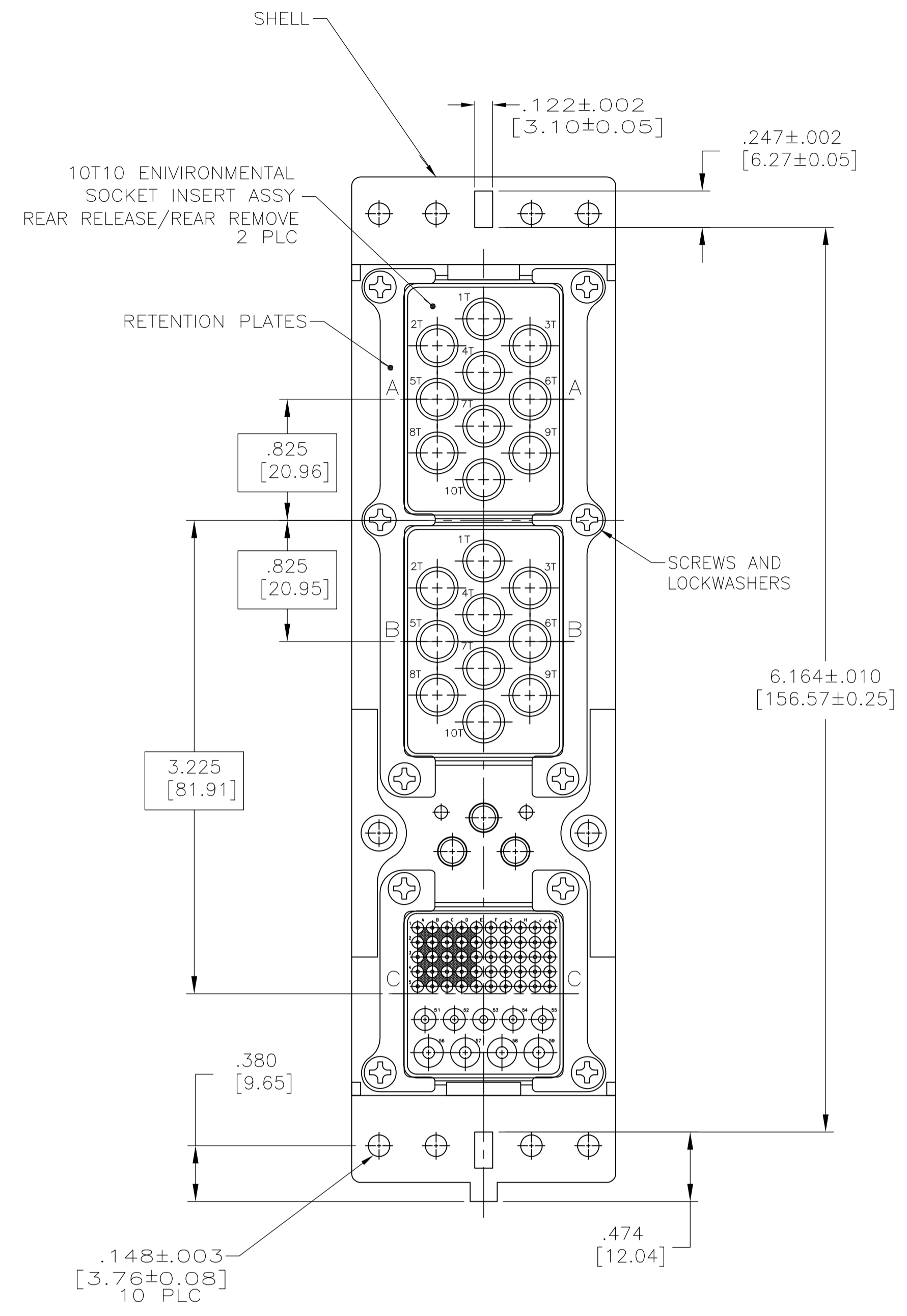


REVISONS		DATE	BY	APPV
E	REVISED PER ECO-15-011840	17NOV15	RS	CT



- CONNECTOR DIMENSIONS ARE PER ARINC 600 SPECIFICATION.
- CONNECTOR IS SUPPLIED WITH CONTACTS (PER TABLE), NOT INSTALLED.
- CONNECTOR IS SUPPLIED WITH A DUST COVER INSTALLED (NOT SHOWN).
- CONTACTS NOT SHOWN IN FRONT & REAR VIEWS FOR CLARITY.

COMPONENT	MATERIAL	FINISH
SHELL	DIE CAST ALUMINUM PER ASTM-B-85	CHEMICAL CONVERSION COATING PER MIL-C-5541, CLASS 1A
INSERT RETENTION PLATES	ALUMINUM ALLOY PER ASTM-B-209	CHEMICAL CONVERSION COATING PER MIL-C-5541, CLASS 1A
SCREWS AND LOCKWASHERS	STEEL OR STAINLESS STEEL	CHROMATE OVER ZINC OR PASSIVATED
POLARIZING POST	ZINC ALLOY PER ASTM-B-86	ELECTROLESS NICKEL
POLARIZING POST RETAINING PLATE	ALUMINUM ALLOY PER ASTM-B-209	BLUE ANODIZED PER MIL-A-8625
INSERTS	THERMOSET OR THERMOPLASTIC PPS PER MIL-M-24519	-
-	-	-
-	-	-

KEYING POSITION	CONTACTS INCLUDED	PART NUMBER
"08"	MODULE A & B NONE MODULE C #208262-3 (SIZE 22 SOCKET; QTY=2) #208270-2 (SIZE 16 SOCKET; QTY=3)	1663559-2
"08"	MODULE A & B #1663776-1 (SZ 8 TRIAX SOCKET FOR DMS2352 CABLE QTY=12) #222191-4 (SIZE 8 TWINAX SOCKET FOR M17/176-0002 CABLE, QTY = 2) #448543-2 (SIZE 8 COAX SOCKET FOR AA8909 CABLE; QTY = 4) #448543-3 (SIZE 8 COAX SOCKET FOR DMS2345 CABLE; QTY = 2)	1663559-1
KEYING POSITION	MODULE C #208262-3 (SIZE 22 SOCKET; QTY=50) #208270-2 (SIZE 16 SOCKET; QTY=5) #1663767-8 (SIZE 12 FILLER PLUG; QTY=4)	
KEYING POSITION	CONTACTS INCLUDED NOT INSTALLED	PART NUMBER

THIS DRAWING IS A CONTROLLED DOCUMENT.

APPROVED: S. GLATFELTER

DATE: 6-6-03

NAME: CONNECTOR ASSY, SIZE 2 PLUG, ARINC 600

SIZE: A1

SCALE: 3:2

SHEET: 1 OF 1

REV: E