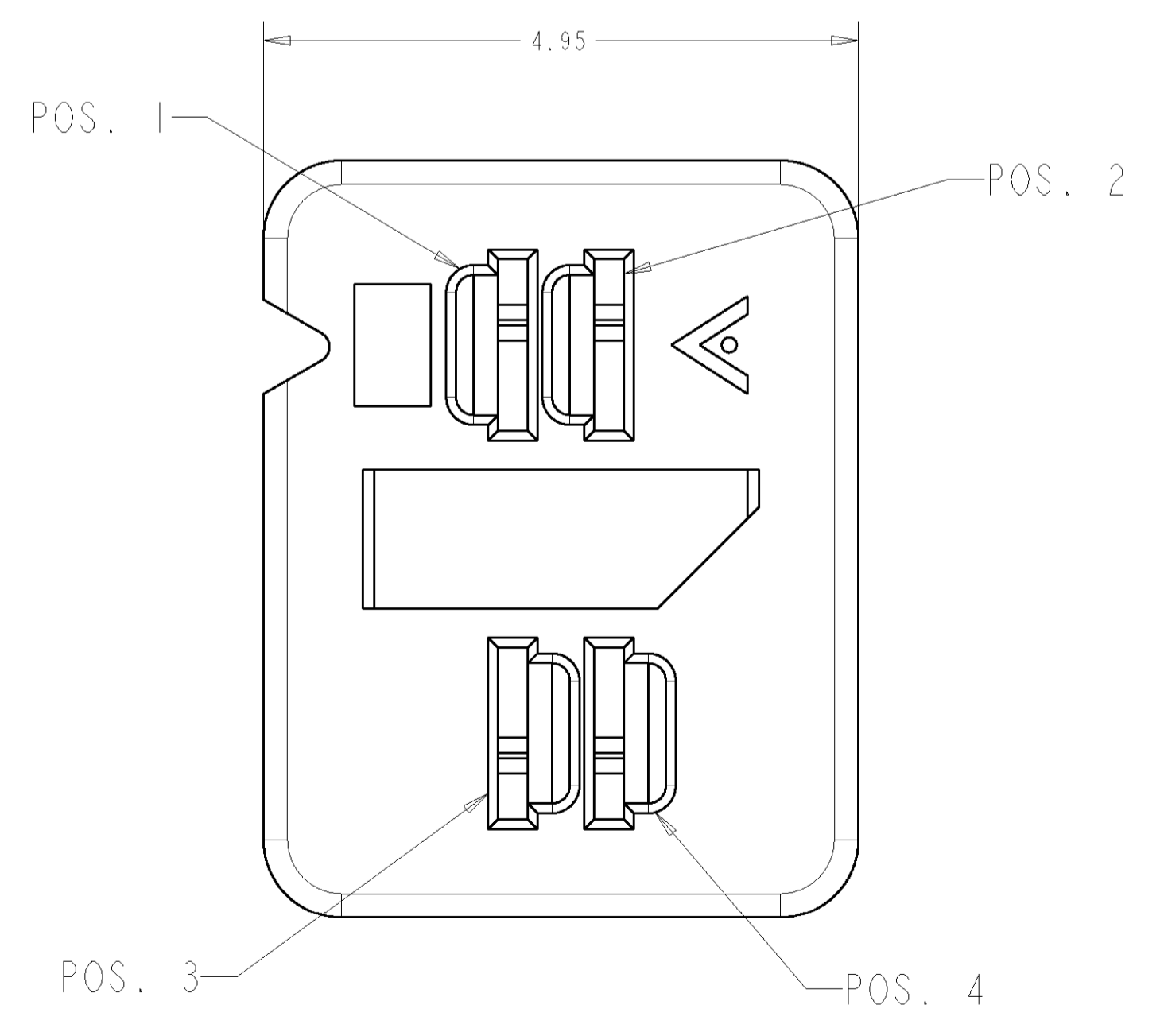
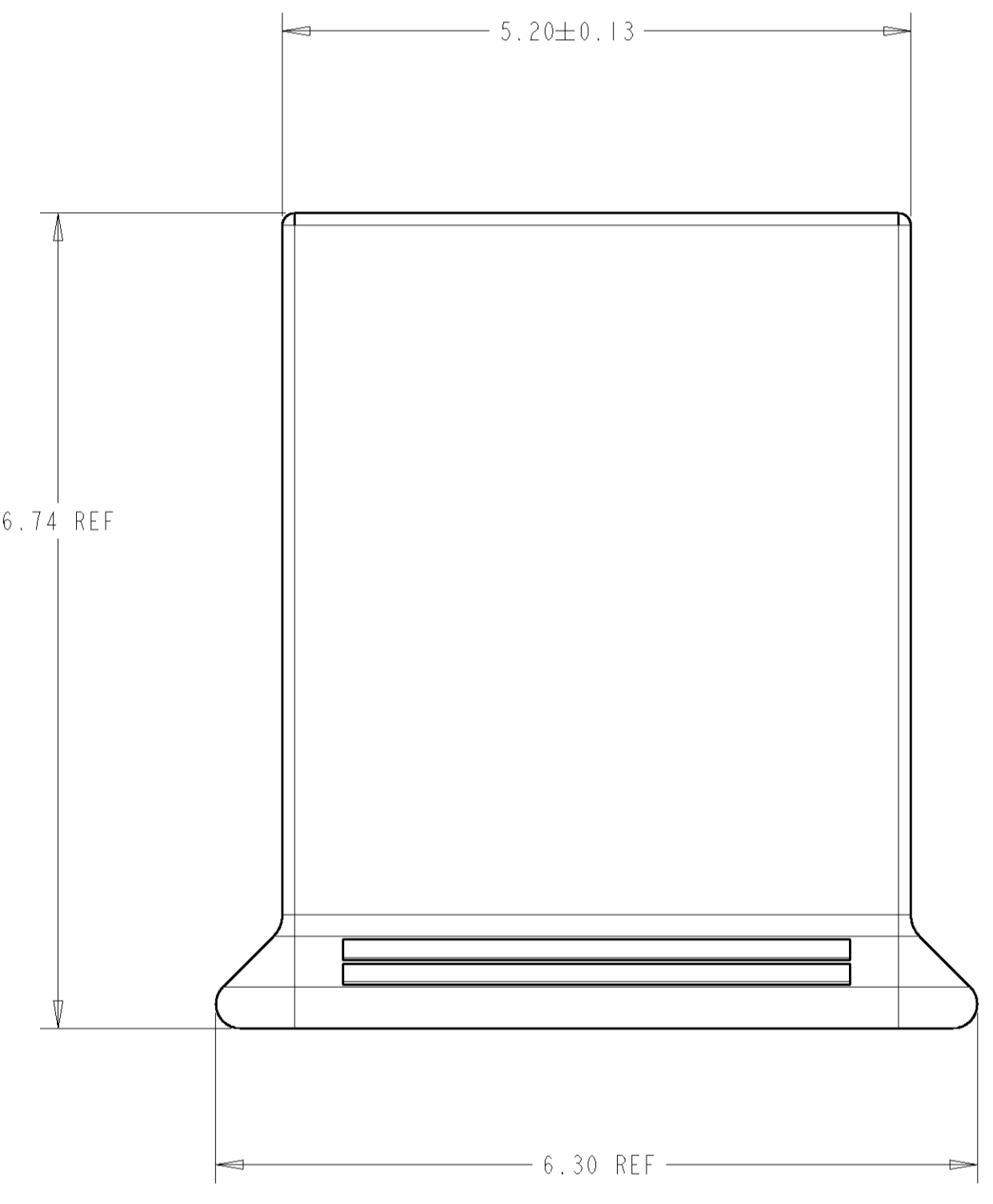
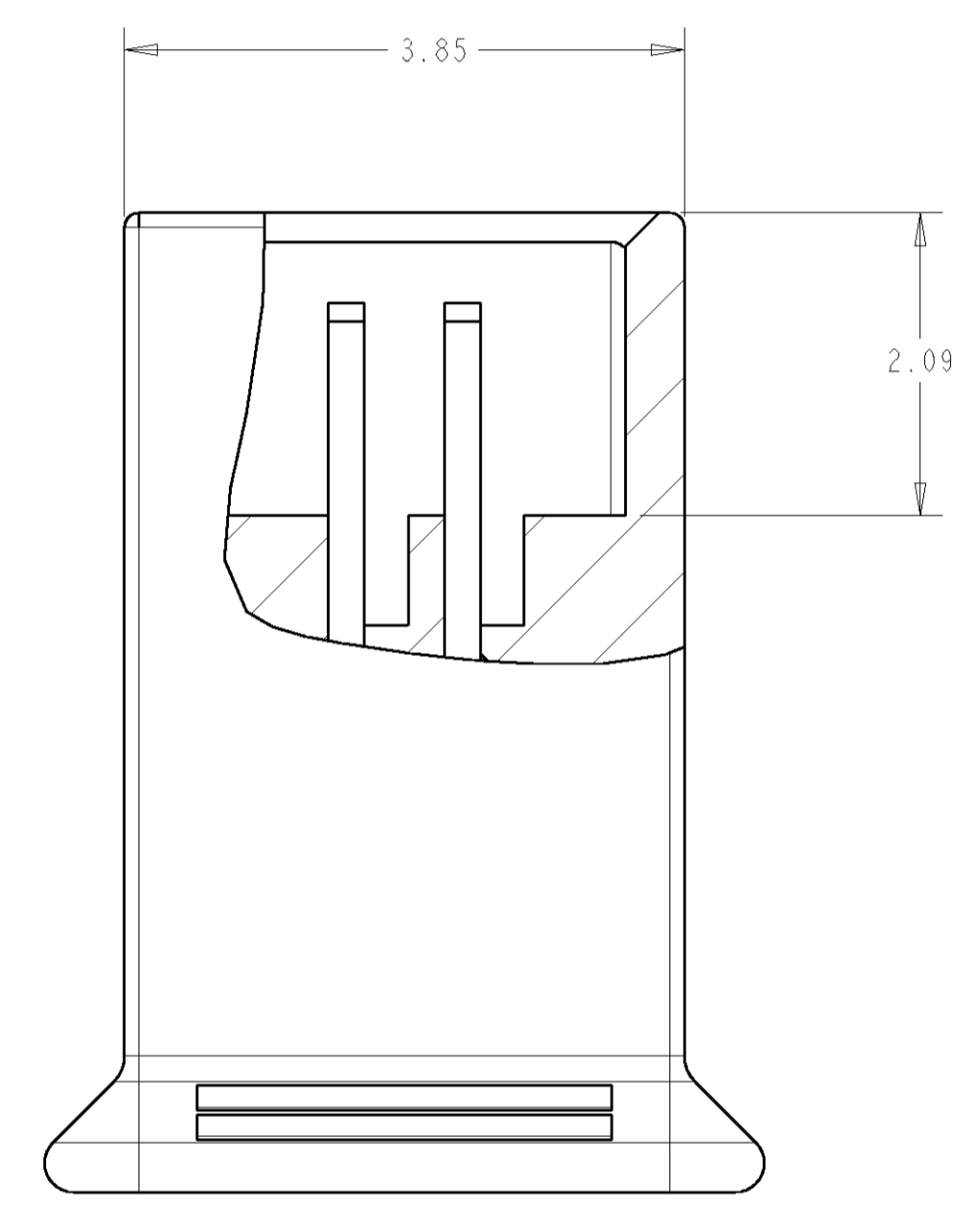
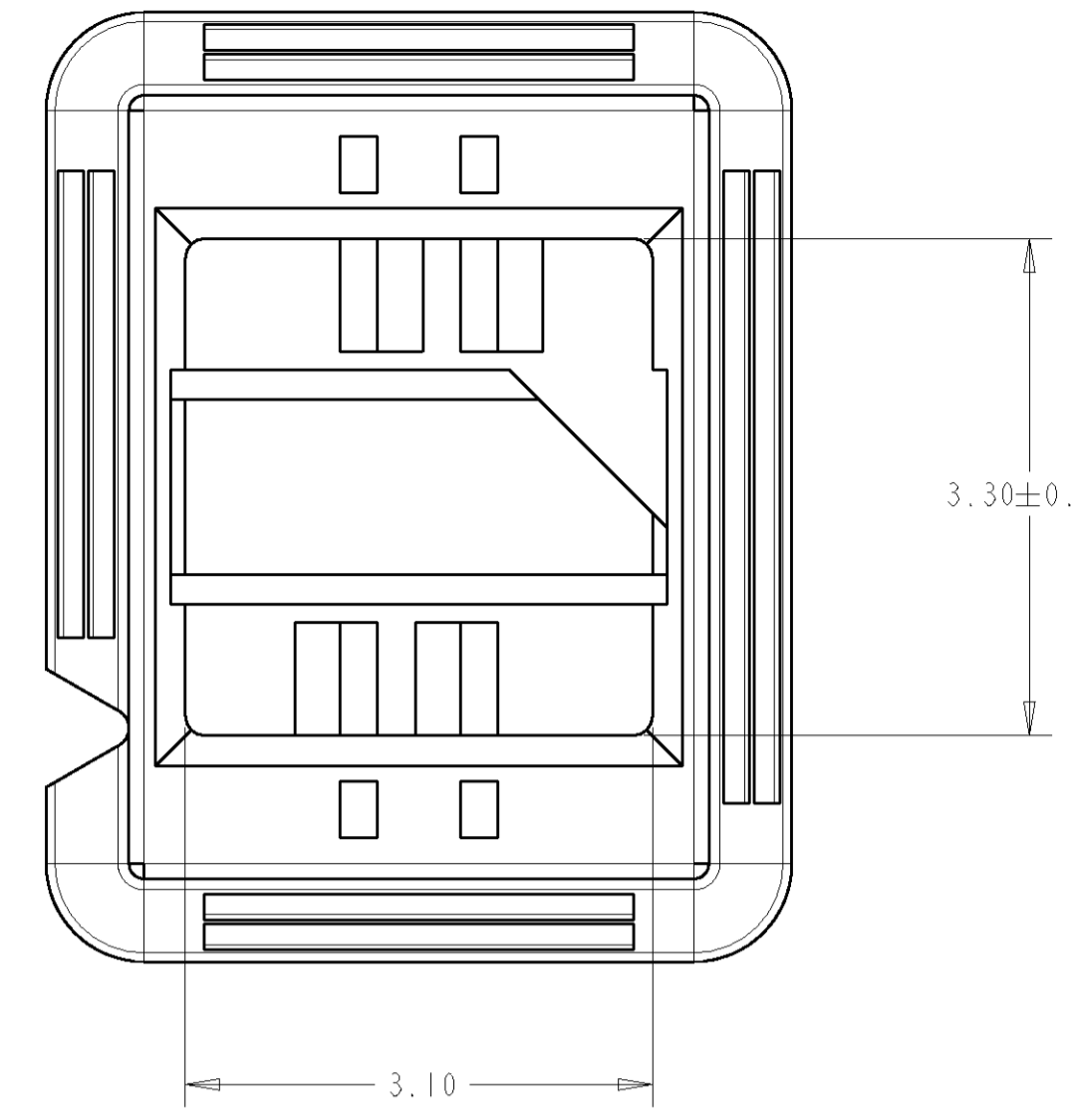


LOC		DIST		REVISIONS			
P	LTR	DESCRIPTION	DATE	DWN	APVD		
O		REV PER OG3C-0326-01	17DEC01	RB	JM		
A		REV PER OG3C-0367-03	27OCT03	RB	JM		



1445340-1 1. AS SHOWN
 2. UL 94 V-0 RATED LCP, COLOR: NATURAL.

<small>THE INFORMATION CONTAINED HEREIN IS UNCLASSIFIED EXCEPT WHERE SHOWN OTHERWISE. IT IS THE PROPERTY OF TYCO ELECTRONICS CORPORATION AND IS TO BE CONTAINED AND CONTROLLED BY THE USER'S ORGANIZATION UNLESS SO CONTACTED FOR THE OPPOSITE POSITION.</small>		DWN: D. FABIAN DATE: 26FEB2001 CHK: - APVD: -	Tyco Electronics Tyco Electronics Harrisburg, PA 17105-3608
DIMENSIONS: mm:	TOLERANCES UNLESS OTHERWISE SPECIFIED: 0 PLC ± 1 PLC ±0.08 2 PLC ±0.013 3 PLC ± 4 PLC ± ANGLES ±1 FINISH: -	PRODUCT SPEC: 108-1955 APPLICATION SPEC: 114-13051 WEIGHT: - CUSTOMER DRAWING	NAME: AMPMODU MICRO INTERCONNECT PLUG HOUSING 4 POSITION SIZE: A 00779 C=1445340 RESTRICTED TO: - SCALE: 20:1 SHEET 1 OF 1 REV A