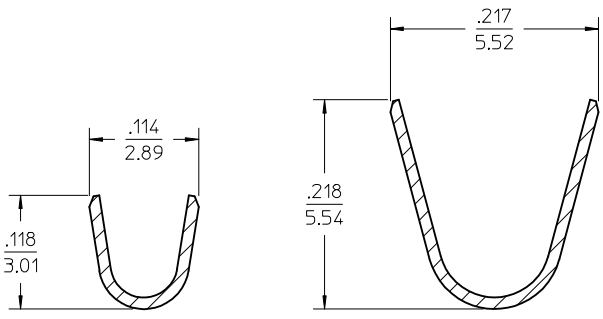


CARRIER STRIP PROGRESSION



SECTION S-S
CONDUCTOR CRIMP

SECTION R-R
INSULATION CRIMP

NOTES:

1. MATERIAL: BRASS
2. FINISH: 20 MICRORINCH / (0.5 MICROMETER) MIN. PREPLATED HOT TIN DIP FINISH.
3. PRODUCT SPECIFICATION: PS-43374-001.
4. PACKAGING: TERMINALS WOUND ON 24" REELS WITH PAPER INTERLEAF, 3000 PER REEL.
5. THIS TERMINAL INTENDED FOR USE WITH TWO 20 AWG STRANDED WIRES, UL STYLE 1007 OR 1015.
6. TERMINAL MATES TO .125/3.18 WIDE X .020/0.51 THICK FLAT BLADE TERMINALS. MATING TERMINAL: 43178 SERIES
7. SEE PRODUCT SPECIFICATION FOR INSULATOR HOUSINGS USED WITH TERMINAL.

CORRECT TOLERANCE EC NO: UCP2014-5466 DRWN:JDOX 2014/07/09 CHKD:ANDERSON 2014/07/09 APPR:FSMLTH 2014/07/17	QUALITY SYMBOLS ∇=0 ∇=0 ∇=0	GENERAL TOLERANCES (UNLESS SPECIFIED)		DIMENSION STYLE IN/MM		SCALE 10:1	DESIGN UNITS INCH	THIRD ANGLE PROJECTION		
		4 PLACES ± --- ± ---	3 PLACES ± --- ± .010	2 PLACES ± 0.25 ± .014	1 PLACE ± 0.35 ± ---	0 PLACE ± --- ± ---	DRAWN BY BWIRKUS		DATE 1-25-2010	
		DRAFT WHERE APPLICABLE MUST REMAIN WITHIN DIMENSIONS					CHECKED BY BWIRUS		DATE 1-25-2010	
							APPROVED BY APATEL		DATE 1-25-2010	
A2	REV	ANGULAR ±1/2°			MATERIAL NO. 433745001		DOCUMENT NO. SD-43374-331		SHEET NO. 1 OF 1	
THIS DRAWING CONTAINS INFORMATION THAT IS PROPRIETARY TO MOLEX INCORPORATED AND SHOULD NOT BE USED WITHOUT WRITTEN PERMISSION										