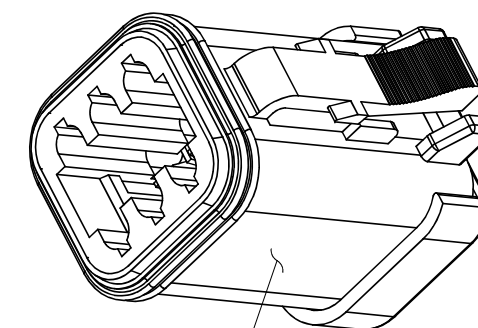
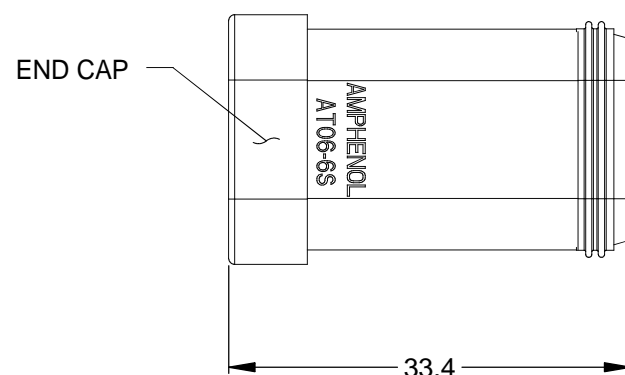
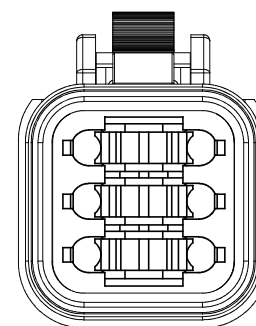
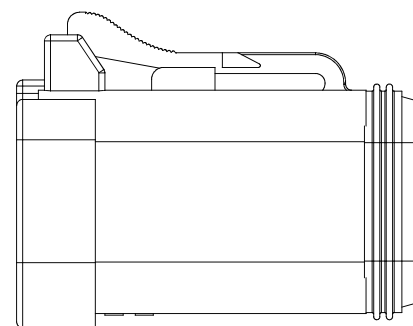
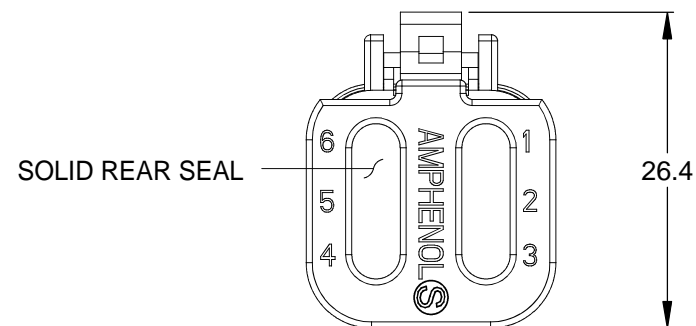
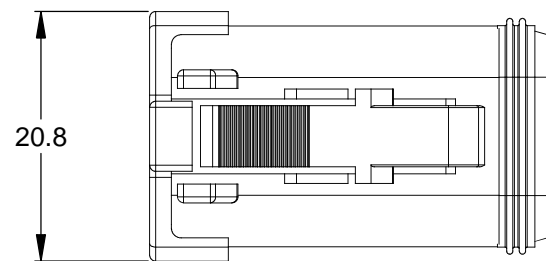


REVISIONS					
REV	ECO	DESCRIPTION	DATE	BY	APPR
A3	-	RELEASE NEW DWG FORMAT	03/JAN/14	ORION	



STANDARD MOLDED COLOR IS GREY.
ADDITIONAL COLORS SHOWN IN PART NUMBER
CHART ARE AVAILABLE VIA SPECIAL ORDER.

NOTES: UNLESS OTHERWISE SPECIFIED

- MATERIAL:
HOUSING: THERMOPLASTIC
SEAL: SILICONE RUBBER
- MODIFICATIONS: SOLID REAR SEAL; END CAP
- SPECIFICATIONS:
 - CURRENT RATING: 13 AMPS
 - OPERATING TEMPERATURE: -55°C TO +125°C
 - DIELECTRIC WITHSTANDING VOLTAGE: LESS THAN 2 MILLIAMPS CURRENT LEAKAGE @ 1500 VOLTS AC.
 - INSULATION RESISTANCE: 1000 MEGOHMS MIN @ 25°C.
 - MOISTURE RESISTANCE: IP67 (MATED CONDITION)
 - MATING CYCLE DURABILITY: 100 CYCLES
 - RoHS COMPLIANT
- MATING PART: AT04-6P* RECEPTACLE
(* = MODIFICATIONS AND COLORS)
- ALL DIMENSIONS ARE FOR REFERENCE USE ONLY.

PART NUMBER CHART	
COLOR	PART NUMBER
GREY	AT06-6S-SS01
BLACK	AT06-6S-SS01BLK
BLUE	AT06-6S-SS01BLU
BROWN	AT06-6S-SS01BRN
GREEN	AT06-6S-SS01GRN
RED	AT06-6S-SS01RED
WHITE	AT06-6S-SS01WHT
YELLOW	AT06-6S-SS01YEL

QUANTITY	SEE PART NUMBER CHART	PART NUMBER	DESCRIPTION	ITEM																																																
<table border="1"> <tr> <td colspan="2">UNLESS OTHERWISE SPECIFIED</td> <td colspan="2">SIGNATURES</td> <td>DATE</td> </tr> <tr> <td colspan="2">1) All dimensions are in metric (mm).</td> <td colspan="2">DRAWN: ORION.LI</td> <td>03/JAN/14</td> </tr> <tr> <td colspan="2">2) Tolerances are as follows:</td> <td colspan="2">CHECKED:</td> <td></td> </tr> <tr> <td>1 PL DEC ±0.30</td> <td rowspan="3">Fractions ±1/64 Angles ±1°</td> <td colspan="2">ENGINEER:</td> <td></td> </tr> <tr> <td>2 PL DEC ±0.15</td> <td colspan="2">APPROVAL:</td> <td></td> </tr> <tr> <td>3 PL DEC ±0.08</td> <td colspan="2">CUSTOMER:</td> <td></td> </tr> <tr> <td colspan="2">3) Note reference = </td> <td colspan="3">THIS DRAWING IS SUPPLIED FOR INFORMATION ONLY. DESIGN FEATURES, SPECIFICATIONS AND PERFORMANCE DATA SHOWN HEREON ARE THE PROPERTY OF THE AMPHENOL CORPORATION. NO RIGHTS OF REPRODUCTION ARE IMPLIED. ALL DIMENSIONS ARE SUBJECT TO NORMAL MANUFACTURING VARIATIONS.</td> </tr> <tr> <td colspan="2">MATERIAL SPECIFICATIONS:</td> <td colspan="3">SCALE: NONE</td> </tr> <tr> <td colspan="2">PROCESS SPECIFICATIONS:</td> <td colspan="3">DWG NO: AT06-6S-SS01XXX</td> </tr> <tr> <td colspan="2">NEXT ASSY:</td> <td colspan="3">REVISION: A3</td> </tr> </table>					UNLESS OTHERWISE SPECIFIED		SIGNATURES		DATE	1) All dimensions are in metric (mm).		DRAWN: ORION.LI		03/JAN/14	2) Tolerances are as follows:		CHECKED:			1 PL DEC ±0.30	Fractions ±1/64 Angles ±1°	ENGINEER:			2 PL DEC ±0.15	APPROVAL:			3 PL DEC ±0.08	CUSTOMER:			3) Note reference =		THIS DRAWING IS SUPPLIED FOR INFORMATION ONLY. DESIGN FEATURES, SPECIFICATIONS AND PERFORMANCE DATA SHOWN HEREON ARE THE PROPERTY OF THE AMPHENOL CORPORATION. NO RIGHTS OF REPRODUCTION ARE IMPLIED. ALL DIMENSIONS ARE SUBJECT TO NORMAL MANUFACTURING VARIATIONS.			MATERIAL SPECIFICATIONS:		SCALE: NONE			PROCESS SPECIFICATIONS:		DWG NO: AT06-6S-SS01XXX			NEXT ASSY:		REVISION: A3		
UNLESS OTHERWISE SPECIFIED		SIGNATURES		DATE																																																
1) All dimensions are in metric (mm).		DRAWN: ORION.LI		03/JAN/14																																																
2) Tolerances are as follows:		CHECKED:																																																		
1 PL DEC ±0.30	Fractions ±1/64 Angles ±1°	ENGINEER:																																																		
2 PL DEC ±0.15		APPROVAL:																																																		
3 PL DEC ±0.08		CUSTOMER:																																																		
3) Note reference =		THIS DRAWING IS SUPPLIED FOR INFORMATION ONLY. DESIGN FEATURES, SPECIFICATIONS AND PERFORMANCE DATA SHOWN HEREON ARE THE PROPERTY OF THE AMPHENOL CORPORATION. NO RIGHTS OF REPRODUCTION ARE IMPLIED. ALL DIMENSIONS ARE SUBJECT TO NORMAL MANUFACTURING VARIATIONS.																																																		
MATERIAL SPECIFICATIONS:		SCALE: NONE																																																		
PROCESS SPECIFICATIONS:		DWG NO: AT06-6S-SS01XXX																																																		
NEXT ASSY:		REVISION: A3																																																		
<h1>Amphenol</h1> <p>Sine Systems - www.amphenol-sine.com 44724 Morley Drive Clinton Township, MI 48036</p> <p>PLUG, 6 SOCKET, AT SERIES, SOLID REAR SEAL, END CAP</p>																																																				
<p>SHEET 1 OF 1</p>																																																				

TITLE: PLUG, 6 SOCKET, AT SERIES, SOLID REAR SEAL, END CAP
DWG NO: AT06-6S-SS01XXX
REV: A3
SH: 1
OF: 1