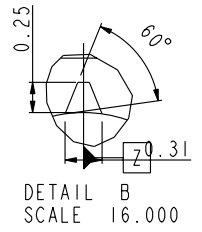
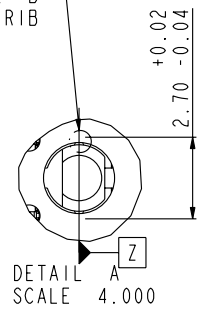
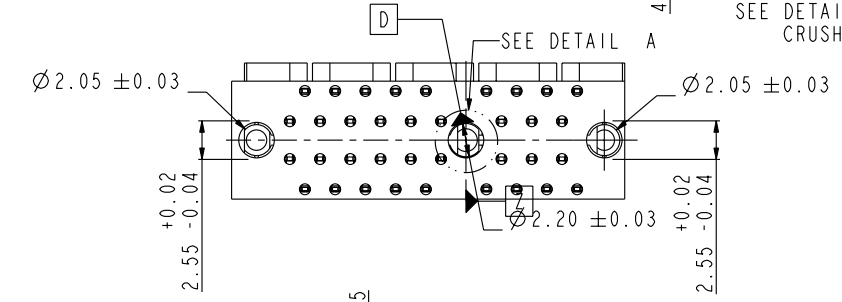
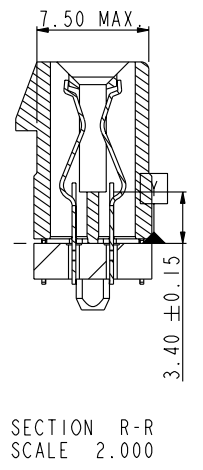
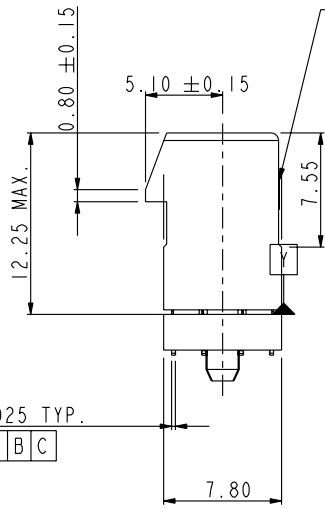
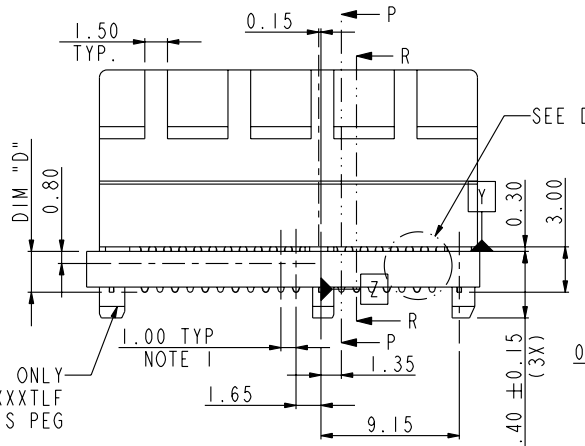
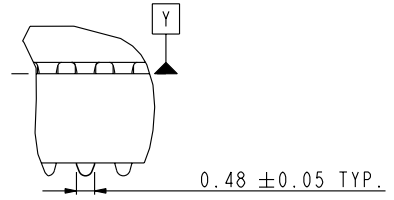
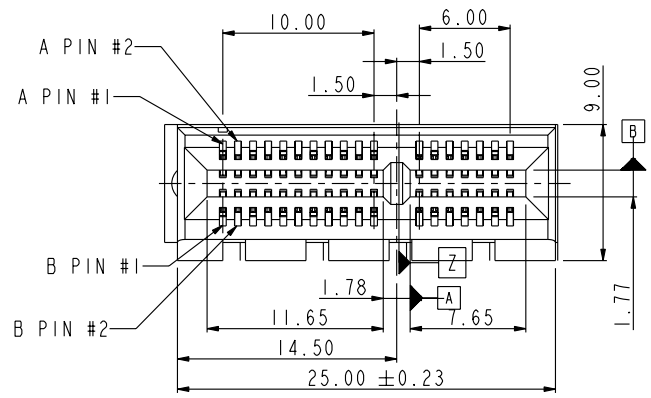




Copyright FCI.



www.fciconnect.com			surface	<input checked="" type="checkbox"/>	tolerance std	projection	MM
TOLERANCES UNLESS OTHERWISE SPECIFIED			ANGULAR		0.X	±.3	size A4 Scale 1.000
Dr	MAGGIE WU	09/30/05	LINEAR		0.XX	±.2	
Eng	R Y LIU	09/30/05	0° ± 2°		0.XXX	±.1	
Chr	PAUL WANG	09/30/05	Product family			ECN	Spec ref
Appr	JOSEPH HSIA	09/30/05	PCI Express ExpressModule CARD Edge 36Ppress-fit ass'y			10061854	
FCI		title	catalog no		*	CUSTOMER	sheet 1 of 4

rev	ecn no	dr	date
A	DG06-0028	K W	01/25/06
B	DG07-0058	P M	02/12/07
C	DG07-0479	C L	11/29/07
D	DG07-0508	C L	12-20-07
-	-	-	-
-	-	-	-
-	-	-	-

1

2

3

4

A

B

C

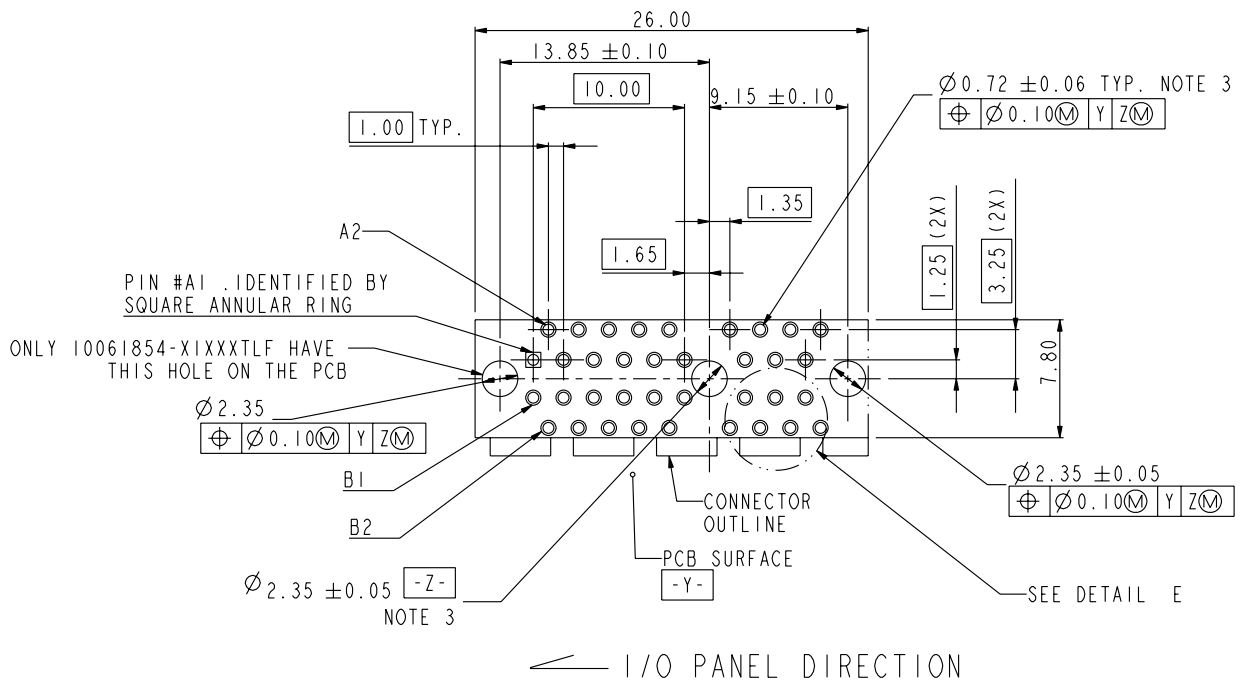
D

A

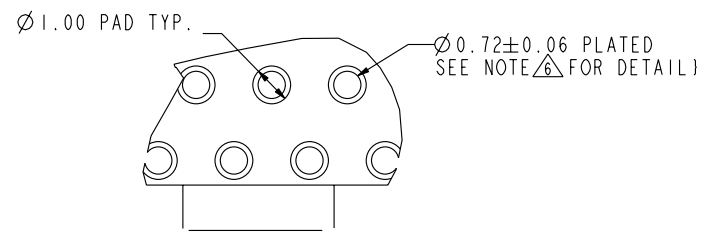
B

C

D



RECOMMENDED FOOTPRINT

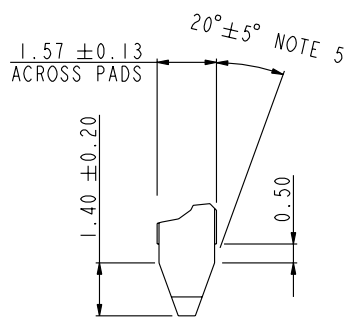
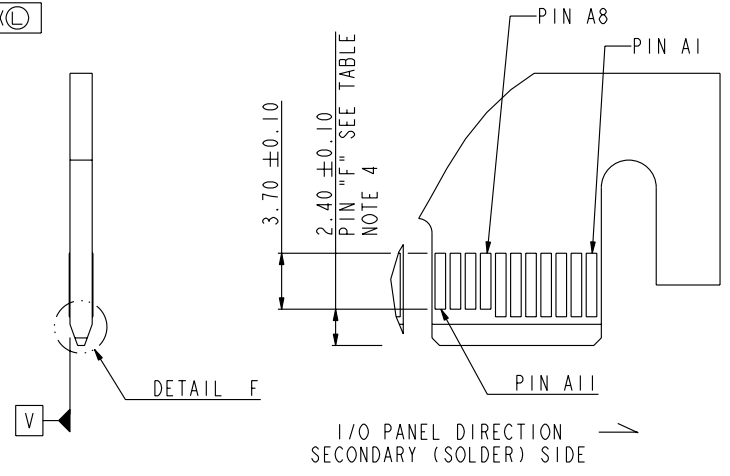
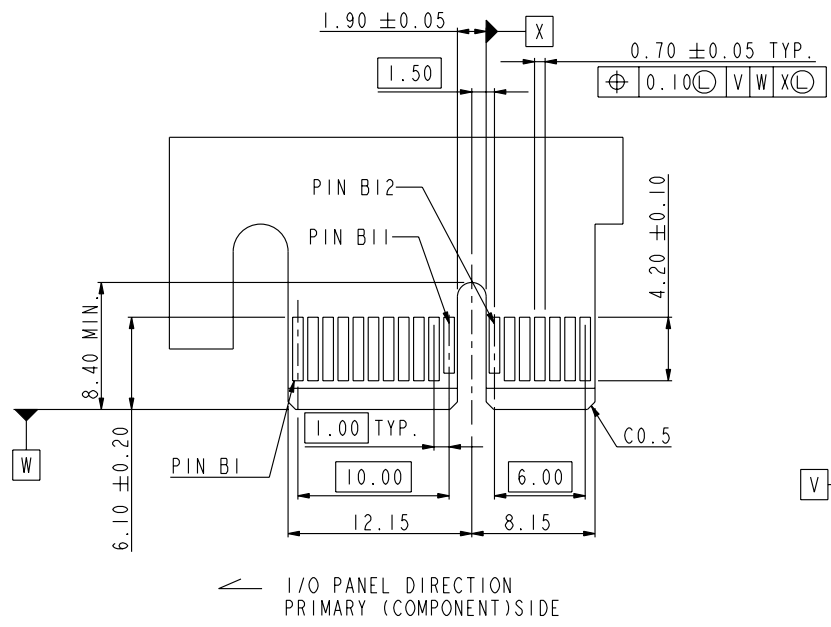


Copyright FCI.

	title	PCI Express ExpressModule CARD Edge 36Ppress-fit ass'y	dwg no	10061854	Rev.	D
	catalog no	*	CUSTOMER	sheet 2 of 4		



Copyright FCI.



DETAIL F
SCALE 5.000

CONNECTOR LINK WIDE	#POS REF.	"F" NOTE 4
XI	36	A8, A9, A10, A11 B11, B12

	title	PCI Express ExpressModule CARD Edge 36Ppress-fit ass'y	dwg no	10061854	Rev.	D
	catalog no	*	CUSTOMER	sheet 3 of 4		

NOTES:

1. MATERIAL:

HOUSING: HIGH TEMPERATURE NYLON, GLASS FILLED UL94V-0 RATED. SUITABLE FOR REFLOW SOLDERING.

TERMINAL: COPPER ALLOY

PLATING: 50u" NICKEL UNDERPLATE ALL OVER

CONTACT AREA PLATING - SEE PRODUCT NUMBER CODE

SOLDER TAIL: TIN - 100u" MIN. OVER 50u" NICKEL OR TIN/LEAD 100u" MIN.

SEE PRODUCT NUMBER CODE

2. PRODUCT SPECIFICATION: GS-12-319

3. THE HORIZONTAL AXIS FOR THE HOLE PATTERN IS ESTABLISHED BY

A LINE THROUGH THE CENTER OF THE TWO Ø2.35 HOLES.

THE VERTICAL AXIS IS 90° TO THE HORIZONTAL AXIS, THROUGH THE CENTER OF DATUM Z.

4. NO TIE BAR PERMITTED FROM CARD EDGE TO LEADING EDGE OF PAD FOR

PINS A1 AND PIN NUMBERS "F".

5. CHAMFER EDGES MUST BE FREE OF CUTTING BURRS.

6. ALL PLATED THRU HOLES SHOULD BE 0.76~0.83 mm DIA DRILLED AND 0.025mm ~ 0.05mm. ELECTRO-DEPOSITED COPPER THK ON THROUGH HOLE WALL.

7. RoHS COMPATIBLE PRODUCT SPECIFICATIONS

a-PLATING:

- "LF" MEANS THE PRODUCT IS LEAD-FREE, 2um MINIMUM MATTE TIN OVER 1.27um MINIMUM NICKEL UNDERPLATE.

b-MANUFACTURING PROCESS COMPATIBILITY

-THE HOUSING WILL WITHSTAND EXPOSURE TO 260°C±5°C SOLDER BATH TEMPERATURE FOR 10 SECONDS IN A REFLOW SOLDER APPLICATION WITH A 2.36mm AND 4.19mm MIN THICK CIRCUIT BOARD.

PRODUCT NUMBER CODE

10061854 - X X X X X X X X

HOUSING COLOR OPTIONS
1-BLACK

PEGS OPTIONS
0-WITH 2 PLASTIC PEGS
1-WITH 3 PLASTIC PEGS

TERMINAL PLATING OPTIONS
0-50u" Ni UNDERPLATE
30u" Au CONTACT AREA
100u" TIN TAIL AREA -----RoHS COMPATIBLE

3-50u" Ni UNDERPLATE
30u" Au CONTACT AREA
100u" TIN/LEAD TAIL AREA -----NOT RoHS COMPLIANT

LEAD FREE OPTION
"LF" FOR TERMINAL PLATING OPTION 0
LEAVE BLANK FOR TERMINAL PLATING OPTION 3

PACKAGING OPTIONS
T-TRAY PACKAGING

CRUSH RIBS
0- NO CRUSH RIB
1- WITH CRUSH RIB ON THE PEGS

TAIL LENGTH OPTIONS

	DIM "D"	SUGGESTED PCB THICKNESS
0	2.00±0.20	2.36
1	3.25±0.20	4.19



Copyright FCI.



PCI Express ExpressModule
CARD Edge 36Ppress-fit ass'y

dwg no 10061854

Rev. D

catalog no * CUSTOMER sheet 4 of 4