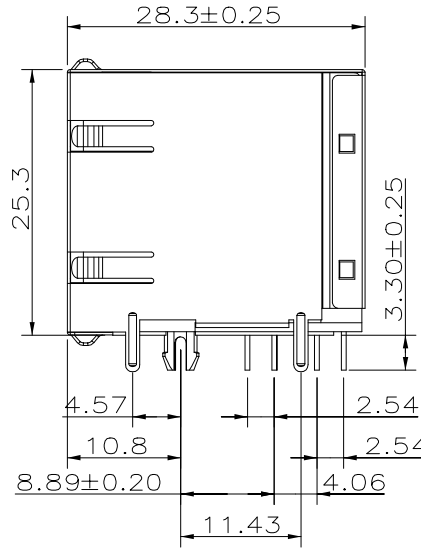
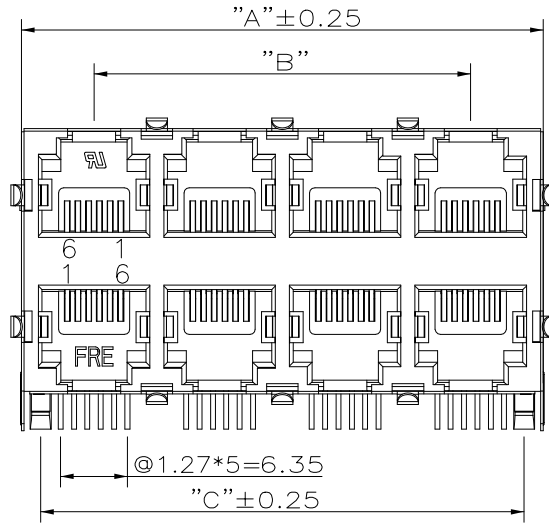


REVISION RECORD				
REV	ECO	DESCRIPTION	DRFT	CHKD



NOTES:

ELECTRICAL:

- VOLTAGE RATING : 125 VAC RMS.
- CURRENT RATING : 1.5 AMP.
- CONTACT RESISTANCE : 50 MILLIOHMS MAX.
- INSULATION RESISTANCE: 1000 MEGOHMS MIN @ 500 VDC.
- DIELECTRIC STRENGTH : 1000 VAC RMS 60Hz, 1MIN.

MECHANICAL:

- HOUSING MATERIAL : NYLON+30%.G.F(FR52) UL94V-0.
- CONTACT MATERIAL : PHOSPHOR BRONZE Ø0.46mm.
- PLATING : GOLD PLATING OVER NICKEL.
- OPERATING LIFE : 750 CYCLES MIN.
- PCB RETENTION PRE-SOLDER : 1 LB MIN.
- PCB RETENTION POST-SOLDER : 10 LBS MIN.

ENVIRONMENTAL:

- STORAGE: -40°C TO +85°C.
- OPERATION: 0°C TO 70°C.
- WAVE SOLDERING TEMPERATURE : 255~265°C (5~10 SECONDS)

MATES WITH MODULAR PLUG CONFORMING TO FCC PART 68, SUBPART F.

PART NUMBER: E596X-XXX13X-L

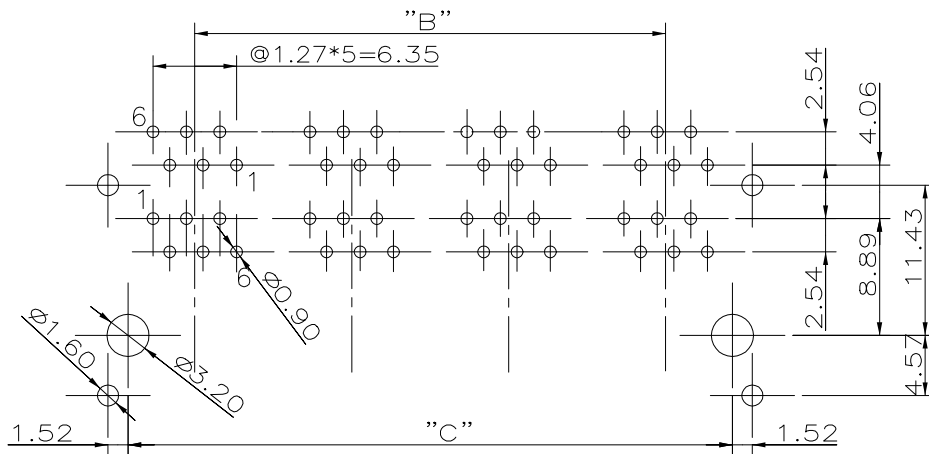
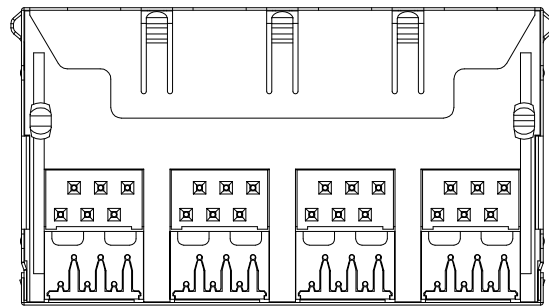
Contact  
4-4C  
6-6C

Gold Thickness:  
1- 3u" 2- 6u" 3-15u"  
4-30u" 5-50u" 6-Pd20u"

Tab:  
1-W/O Tab  
5-W/ Top & Side & Bottom tabs

Ports  
A-2x2 C-2x4 D-2x5  
E-2x6 G-2x8

Shield:  
D-Nickel Plated With Tinned Grounding Peg  
7- Nickel



PC BOARD COMPONENT SIDE SHOWN

PORT DIM	2x2	2x4	2x5	2x6	2x8
"A"±0.25	25.74	49.61	61.55	73.49	97.37
"B"	11.938	35.814	47.752	59.690	83.566
"C"±0.25	22.10	45.97	57.91	69.85	93.73

DETACHED LISTS		DFTO Qianpu DATE 5/24/05'		FULL RISE ELECTRONIC CO., LTD	
TOLERANCES EXCEPT AS NOTED	CHKD YICAN DATE 2005/5/24	TITLE RJ11 STACKED PCB GANG JACK			
.0 ± 0.2	MFO DATE				
.00 ± 0.15	APPLVLSAMMY DATE 2005/5/24	DRAWING NO. GE593A69-LA		SIZE A3	REV O
.000 ± 0.075	MATERIAL :	/PART NO. SEE NOTE		SHEET 1 OF 1	
ANGLES ± 0.5	QT'Y :	DO NOT SCALE DRAWING		SHEET 1 OF 1	
THIRD ANGLE PROJECTION	FINISH :	SCALE : 2:1			