

LOC	DIST	REVISIONS					
A	66	P	LTR	DESCRIPTION	DATE	DWN	APVD
			A1	SEE PRODUCT DRAWING	-	-	-


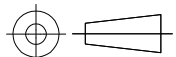
SEE PRODUCTION DRAWING  
1385815

THIS DRAWING IS UNPUBLISHED.

ALL INTERNATIONAL RIGHTS RESERVED.

BY TYCO ELECTRONICS CORPORATION.

© COPYRIGHT

DIMENSIONS: INCHES	DWN	M.YOUNGER	22OCT2010	MATERIAL	-	FINISH	-	
	CHK	-	-	 Tyco Electronics Corporation Harrisburg, PA 17105-3608				
TOLERANCES UNLESS OTHERWISE SPECIFIED:	APVD	-	-					NAME
	0 PLC	± -	PRODUCT SPEC	SIDE FEED HDM APPLICATOR				
1 PLC	± -	APPLICATION SPEC	-					
2 PLC	± -	WEIGHT	-	SIZE	A4	CAGE CODE	00779	
3 PLC	± -		DRAWING NO	C-1385815		RESTRICTED TO	-	
4 PLC	± -		CUSTOMER DRAWING	SCALE	1:1	SHEET	1 OF 1	REV
ANGLES	± -							