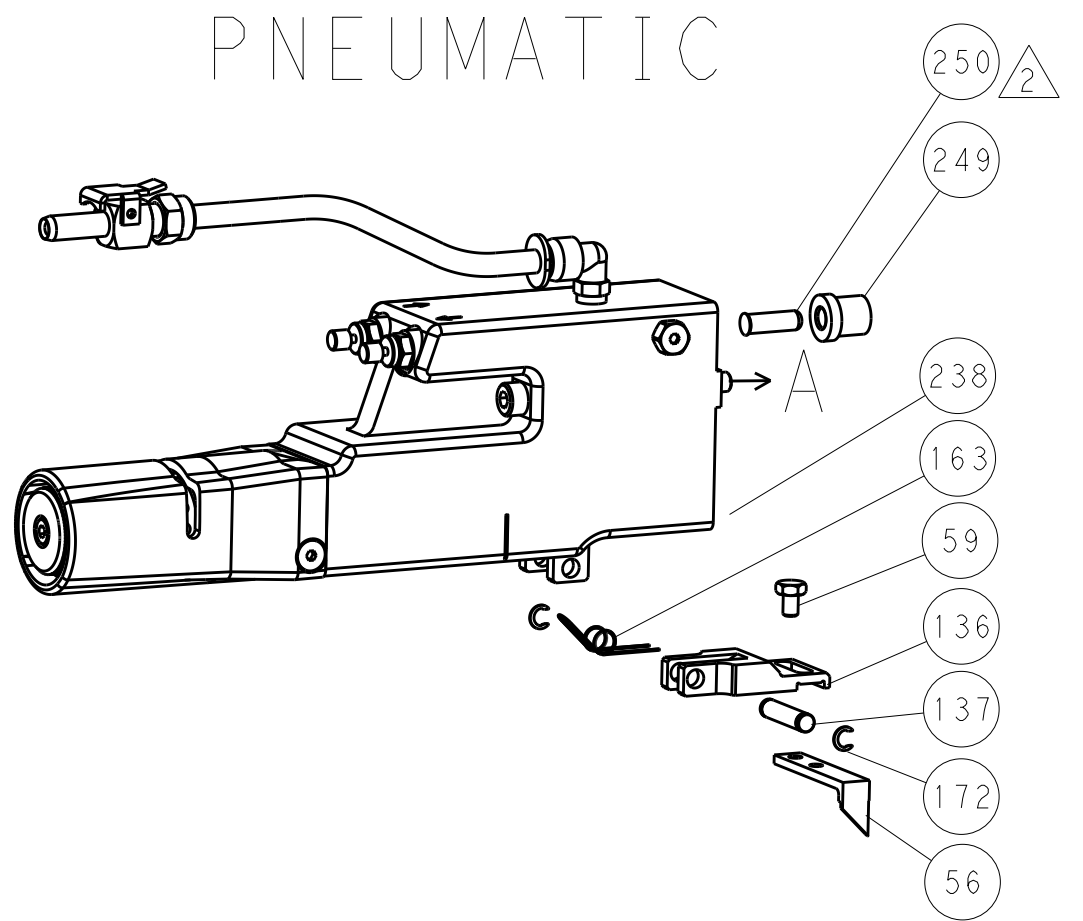


LOC		DIST		REVISIONS			
A	66	P	LTM	DESCRIPTION	DATE	OWN	APVD
		-	-	SEE SHEET 1	-	-	-

FEED TYPE MECHANICAL



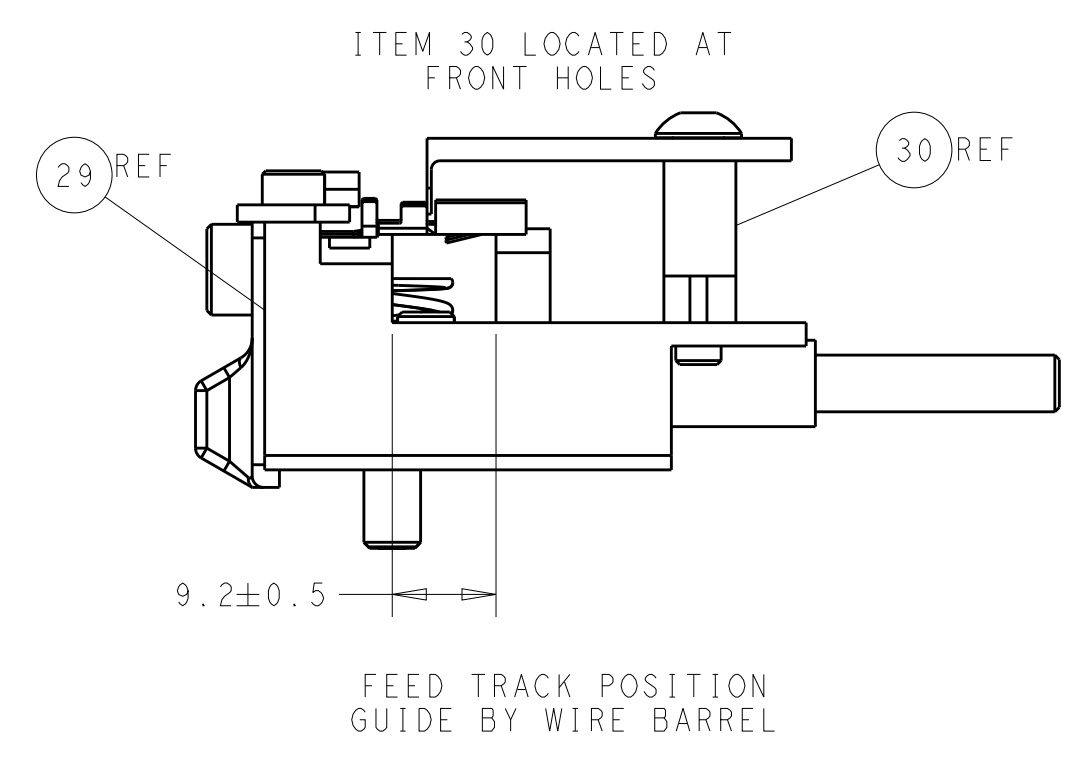
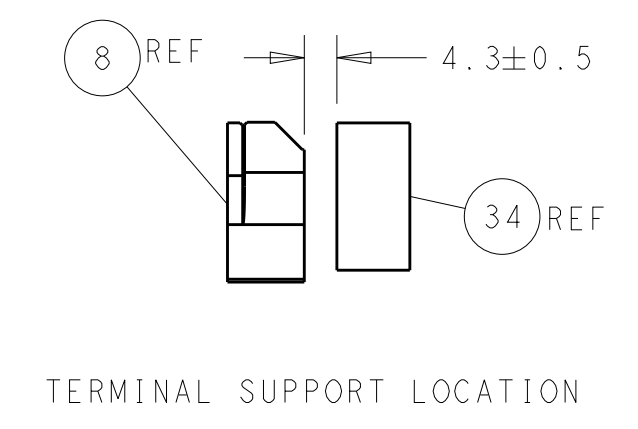
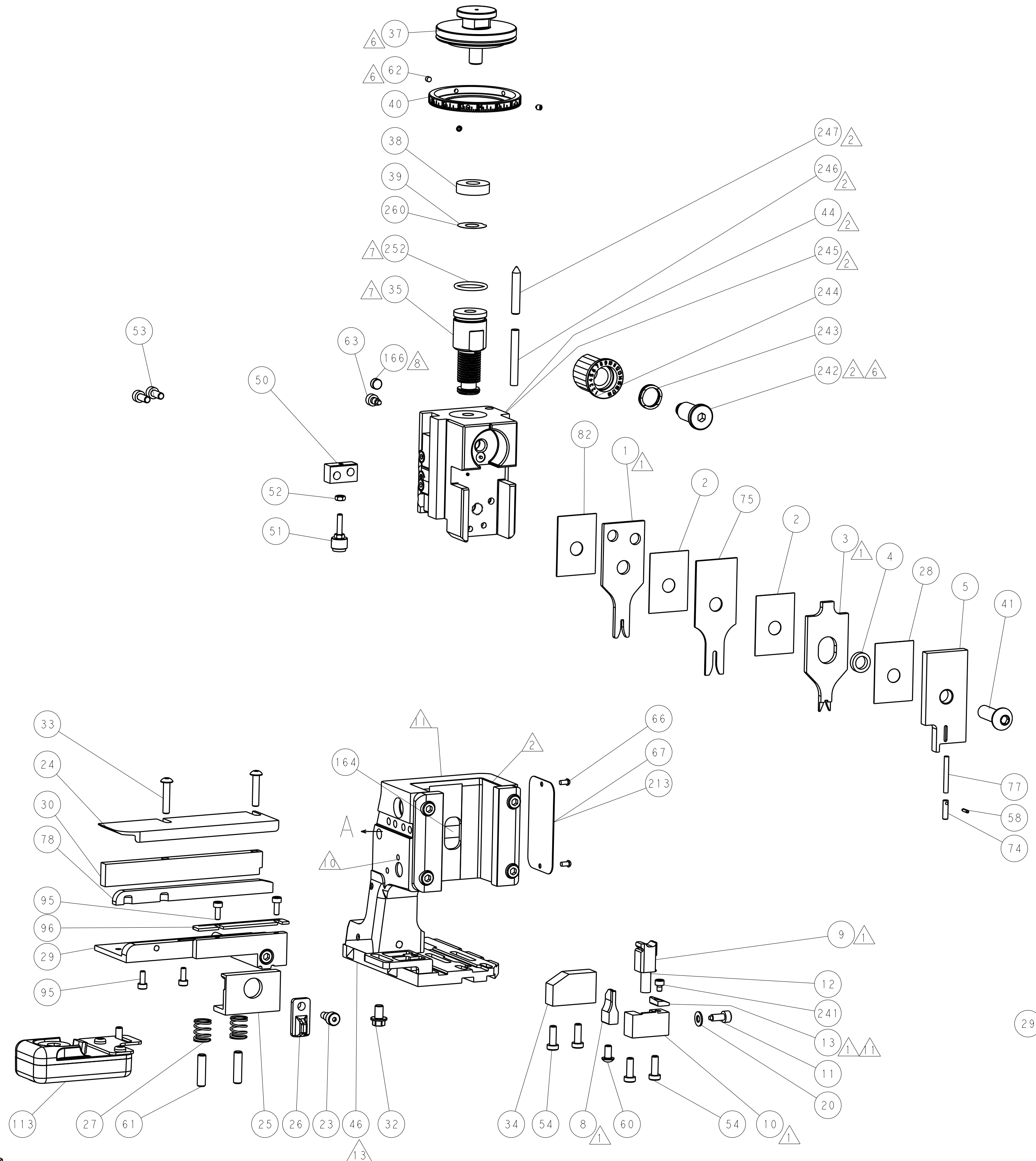
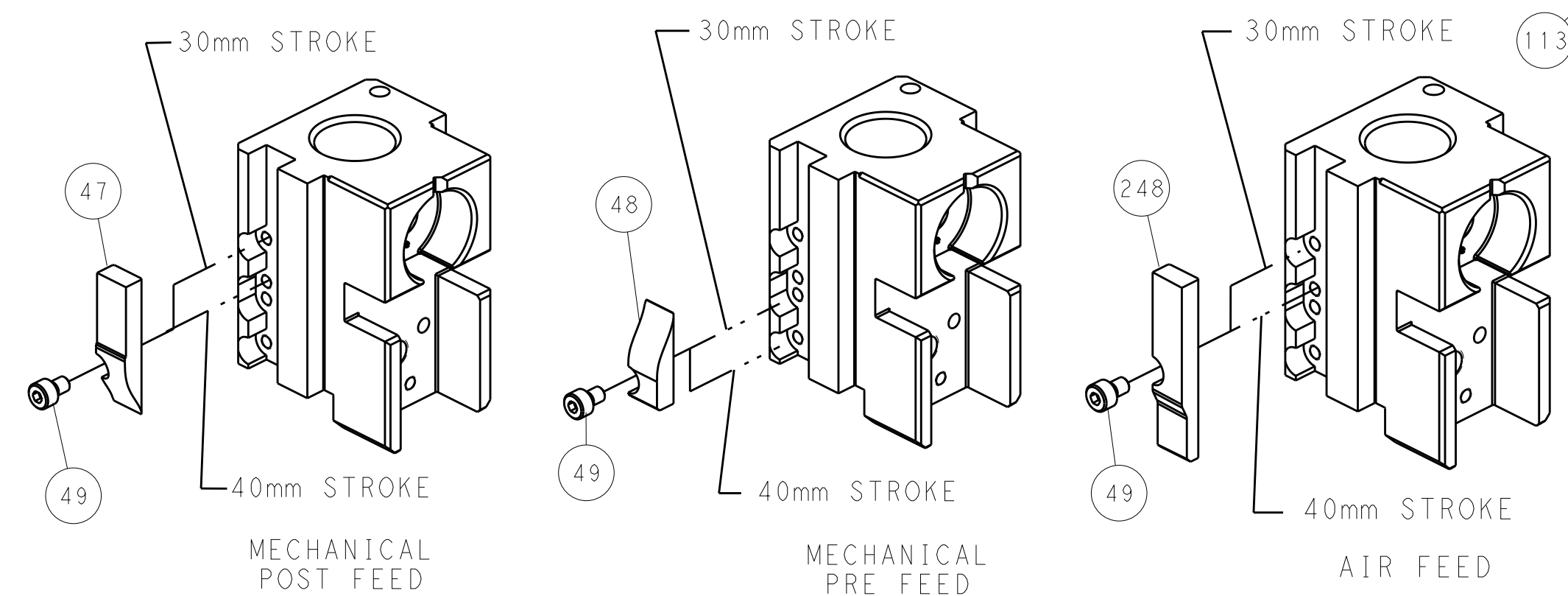
PNEUMATIC



SERVO LATCH PLATE



CAM POSITIONS



ATLANTIC VERSION
 Shown on sheets 1 of 4 & 2 of 4
 (Pacific version shown on sheets 3 of 4 & 4 of 4)

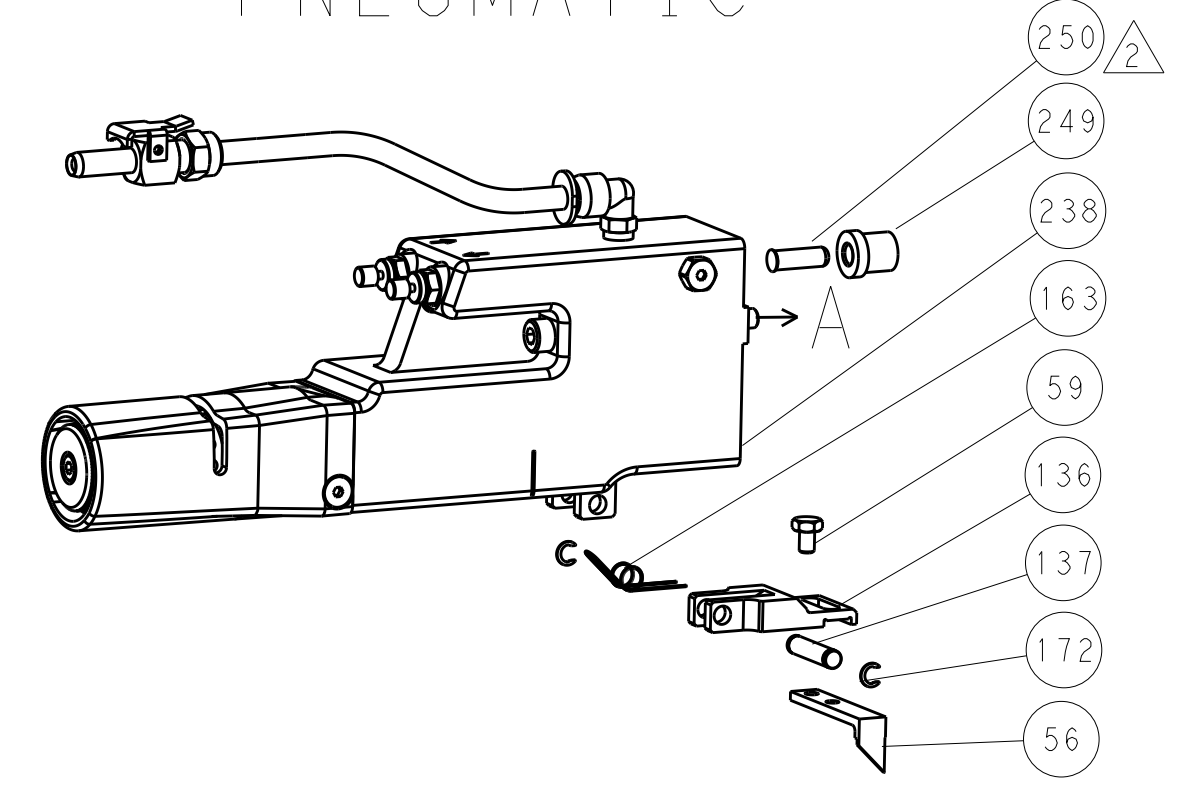
DIMENSIONS:		TOLERANCES UNLESS OTHERWISE SPECIFIED:		DWG: J. HOU 04DEC2014		TE Connectivity	
mm	0 PLC	±		CHK: L. ZHANG 04DEC2014	NAME: Ocean Side Feed Applicator		TE Connectivity Harrisburg, PA 17105-3608
	1 PLC	±		APPV: H. GUO 04DEC2014	RESTRICTED TO		
	2 PLC	±		PRODUCT SPEC			
	3 PLC	±		APPLICATION SPEC			
	4 PLC	±		SIZE: CAGE CODE: DRAWING NO:			
	ANGLES	±		A1 00779 ©=2266599			
MATERIAL:	FINISH:			WEIGHT:		Customer Accessible Production Drawing	
				SCALE: 1:2		SHEET 2 OF 4 REV A1	

LOC		DIST		REVISIONS			
A	66	P	LTM	DESCRIPTION	DATE	OWN	APVD
		-	-	SEE SHEET 1	-	-	-

FEED TYPE MECHANICAL



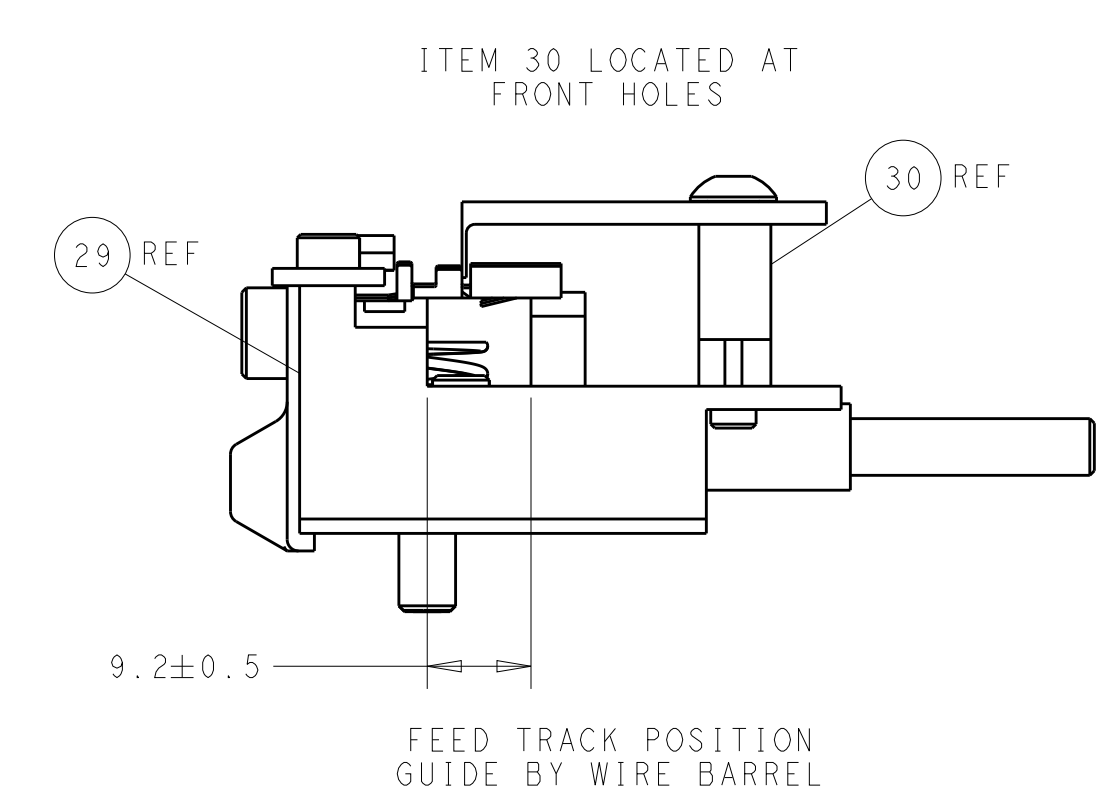
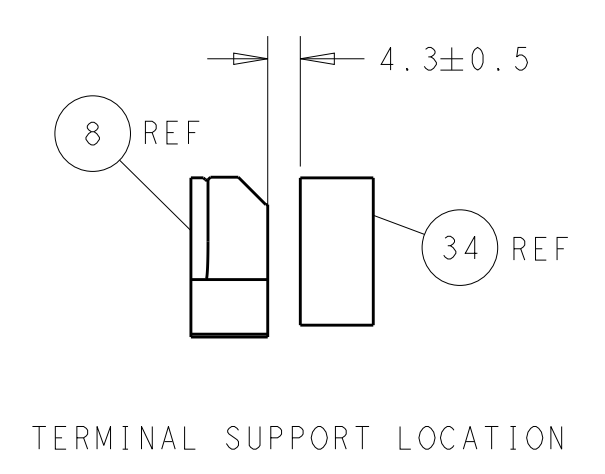
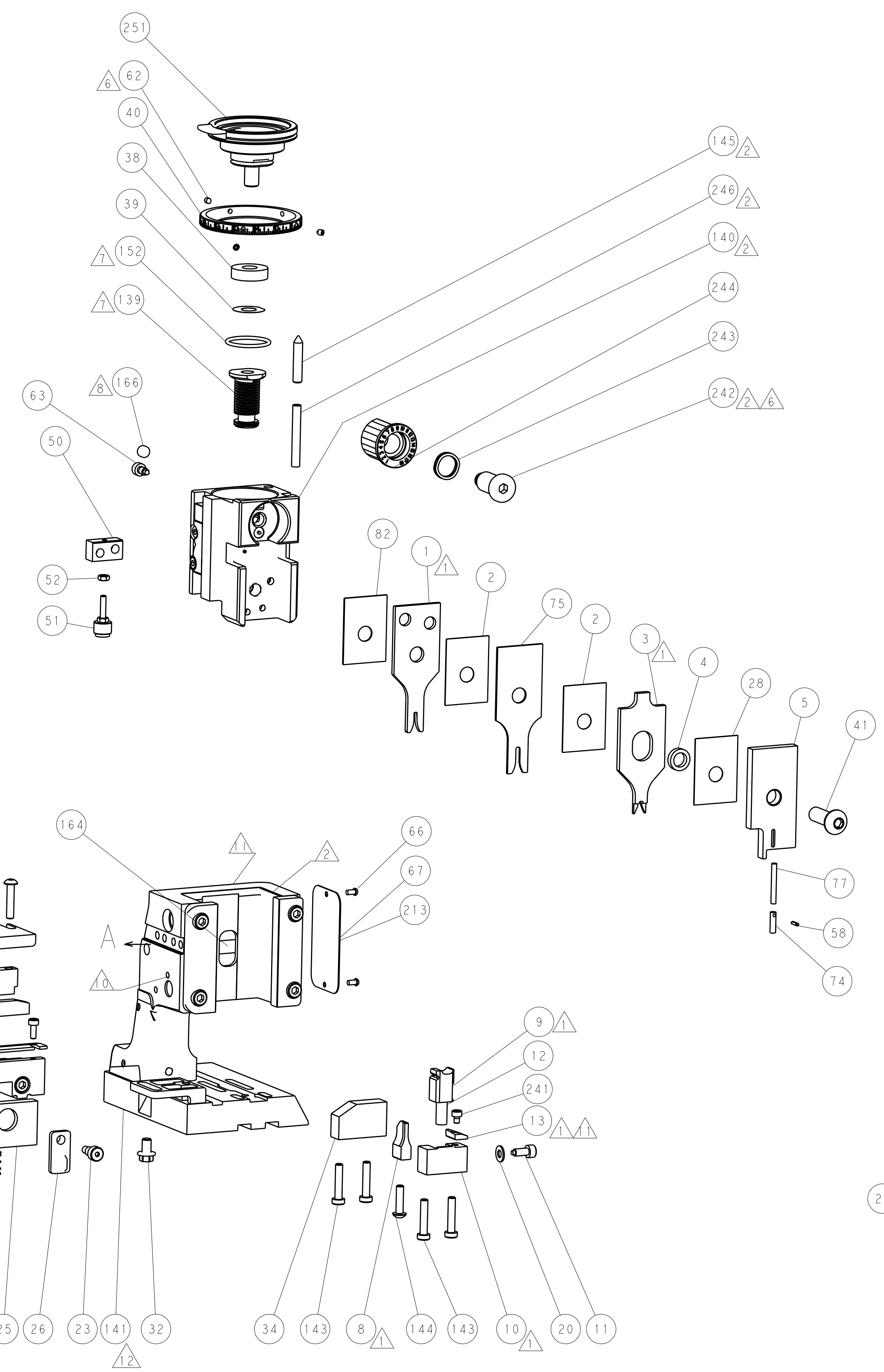
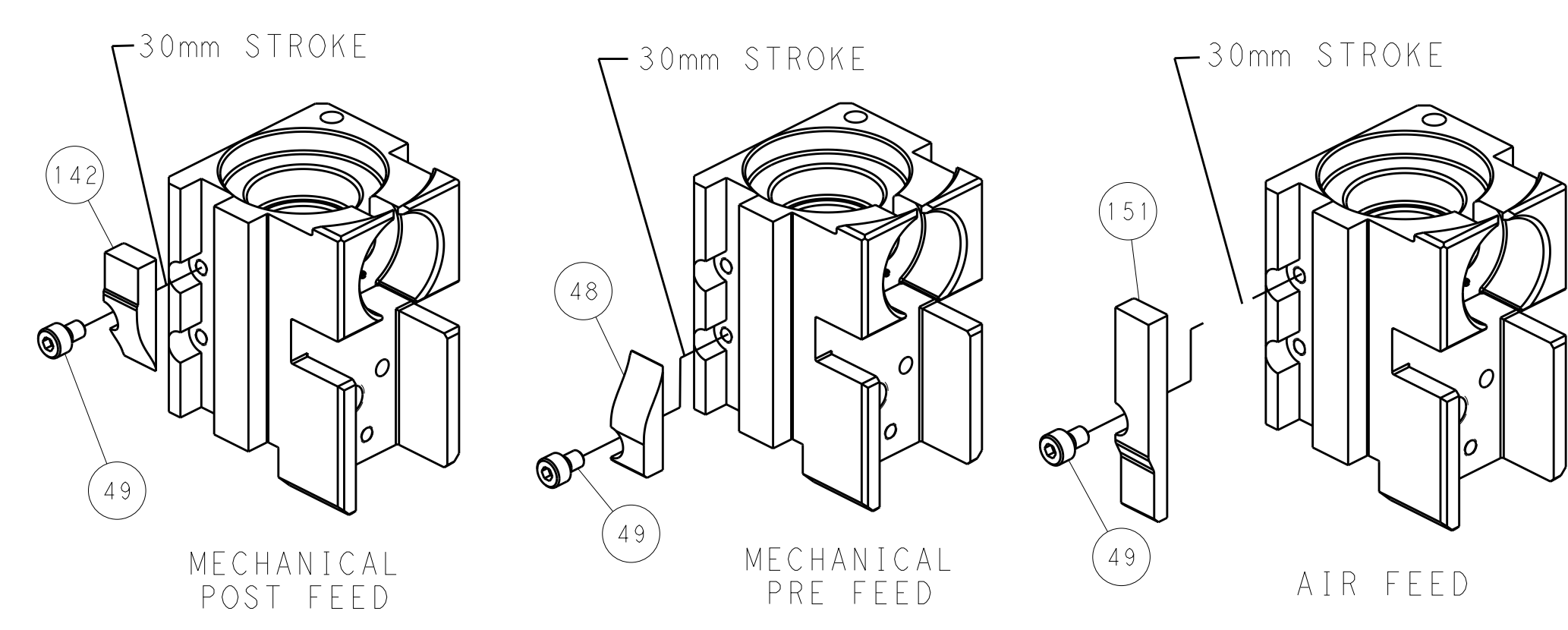
PNEUMATIC



SERVO LATCH PLATE



CAM POSITIONS



PACIFIC VERSION
 Shown on sheets 3 of 4 & 4 of 4
 (Atlantic version shown on sheets 1 of 4 & 2 of 4)

<small>THIS DRAWING IS UNPUBLISHED. RELEASED FOR PUBLICATION 2014. IT IS THE PROPERTY OF TYCO ELECTRONICS CORPORATION. IT IS TO BE USED ONLY FOR THE PROJECT AND INSTANTANEOUS ORGANIZATION. SHOULD BE CONTACTED FOR THE LATEST REVISION.</small>		DWN: J.HOU 04DEC2014 CHK: L.ZHANG 04DEC2014 APVD: H.GUO 04DEC2014	NAME: Ocean Side Feed Applicator SIZE: A1 CAGE CODE: 00779 DRAWING NO: C=2266599	RESTRICTED TO: - SCALE: 1:2 SHEET: 4 OF 4 REV: A1
DIMENSIONS: mm TOLERANCES UNLESS OTHERWISE SPECIFIED: 0 PLC ± 1 PLC ± 2 PLC ± 3 PLC ± 4 PLC ± ANGLES ± MATERIAL: - FINISH: -		STE TE Connectivity Harrisburg, PA 17105-3608 Customer Accessible Production Drawing		