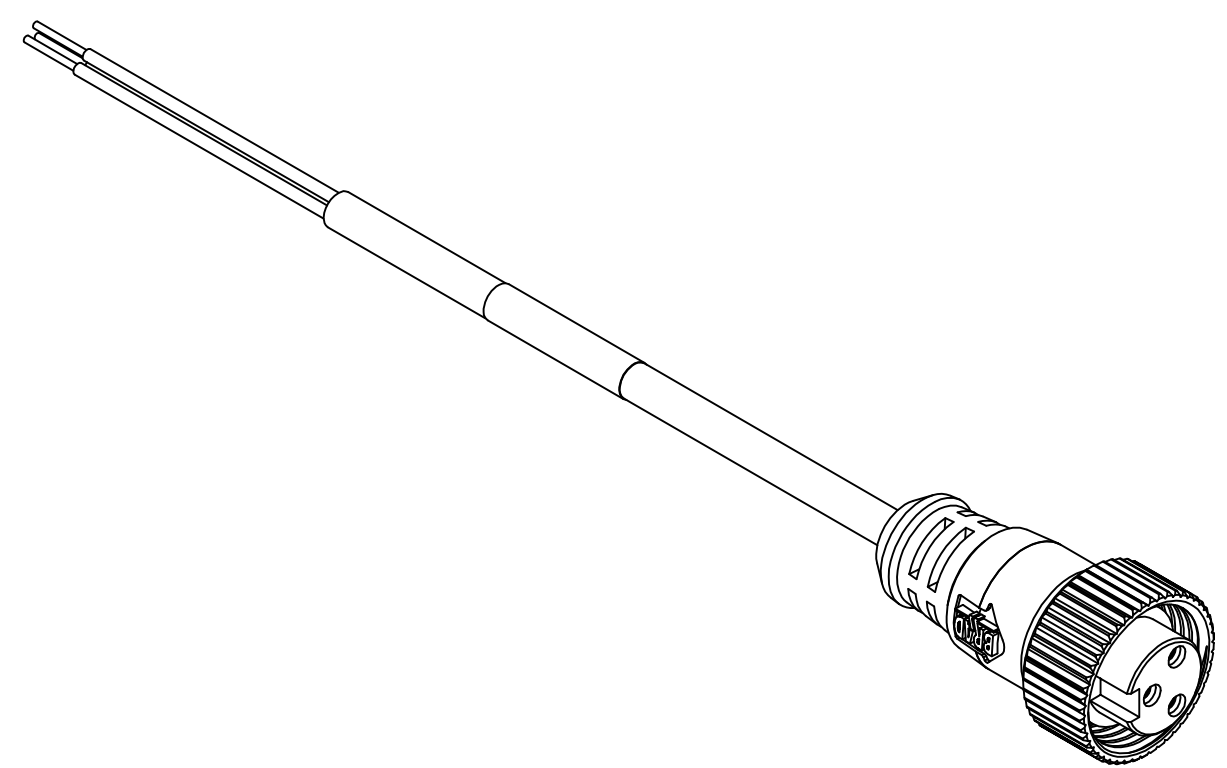
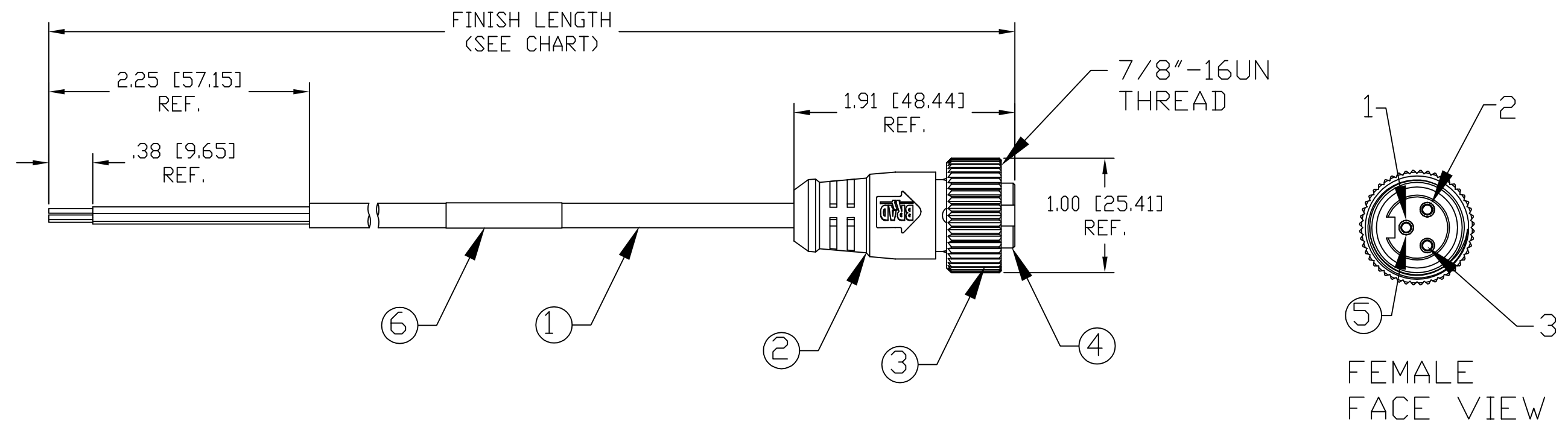


PART NUMBER	ENGINEERING NUMBER	FINISH LENGTH
1300060339	103000A06M020	6' 6" +3.50" -0 [2M +88.9 -0]
1300060345	103000A06M050	16' 4" +6.50" -0 [5M +165.1 -0]
1300060353	103000A06M100	32' 4" +12.50" -0 [10M +317.5 -0]
1300060356	103000A06M150	49' 2" +24.50" -0 [15M +622.3 -0]
1300060359	103000A06M300	98' 4" +24.50" -0 [30M +622.3 -0]



NOTE

- 1) MATERIAL: SEE TABLE
- 2) FINISHES: SEE TABLE
- 3) WRAP LABEL IS MARKED WITH P/N, DATE CODE, VOLTAGE & AMPERAGE
- 4) MATES WITH: MINI CHANGE, 3 POLE RECEPTACLE
- 5) ELECTRICAL DATA:  
 INLINE CORDSET  
 FEMALE A-SIZE WITH FLYING LEADS  
 18AWG UNSHIELDED  
 POLES: 3  
 MAX. VOLTAGE: 300V  
 MAX. CURRENT 7A  
 PROTECTION IP67  
 TEMPERATURE RANGE: -20°C TO 105°C
- 6) PACKAGING:  
 CABLE ASSEMBLIES ARE BAGGED SEPERATELY  
 IN POLY BAGS WITH BAR CODE LABEL ATTACHED  
 TO OUTSIDE OF BAG.
- 7) ASSEMBLY IS RoHS COMPLIANT.
- 8) CERTIFICATION  
 CSA CERTIFIED, FILE NO. LR6837



P1

1	GREEN/YELLOW-GRD
2	BROWN
3	BLUE

WIRING DIAGRAM

ITEM	QTY.	DESCRIPTION	MATERIAL	FINISH
6	1	LABEL	PLASTIC FILM	BLACK/YELLOW
5	3	CONTACT SOCKET	COPPER ALLOY	GOLD PLATED
4	1	INSERT	PVC	YELLOW
3	1	COUPLING NUT	ZINC DIE CAST	BLACKE-COATED
2	1	OVERMOLD	PVC	YELLOW
1	1	CABLE, 18AWG-3	PVC	YELLOW

RELEASE EC NO: WNA2010-0025 DRWN: TWOLDEGE 7/10/09 CH'KD: BWOODMAN APPR: JFMURPHY 2009/08/10	DESCRIPTION REV	QUALITY SYMBOL	GENERAL TOLERANCES (UNLESS SPECIFIED)	DIMENSION STYLE	SCALE	DESIGN UNITS	THIRD ANGLE PROJECTION
		$\nabla=0$ $\sphericalangle=0$	4 PLACES ±--- ±--- 3 PLACES ±.005 ±.005 2 PLACES ±.013 ±.010 1 PLACE ±.025 ±.020	IN/MM	1:1	INCH	MINI CHANGE ASSEMBLY 3-POLE FEMALE ST 18/3AWG PVC
		ANGULAR ±1/2° DRAFT WHERE APPLICABLE MUST REMAIN WITHIN DIMENSIONS	DRAWN BY DATE TWOLDEGE 2009/07/10 CHECKED BY DATE BWOODMAN 2009/07/10 APPROVED BY DATE	MATERIAL NO. SEE CHART	DOCUMENT NO. SD-130006-009	SHEET NO. 1 OF 1	
		SIZE C	THIS DRAWING CONTAINS INFORMATION THAT IS PROPRIETARY TO MOLEX INCORPORATED AND SHOULD NOT BE USED WITHOUT WRITTEN PERMISSION				