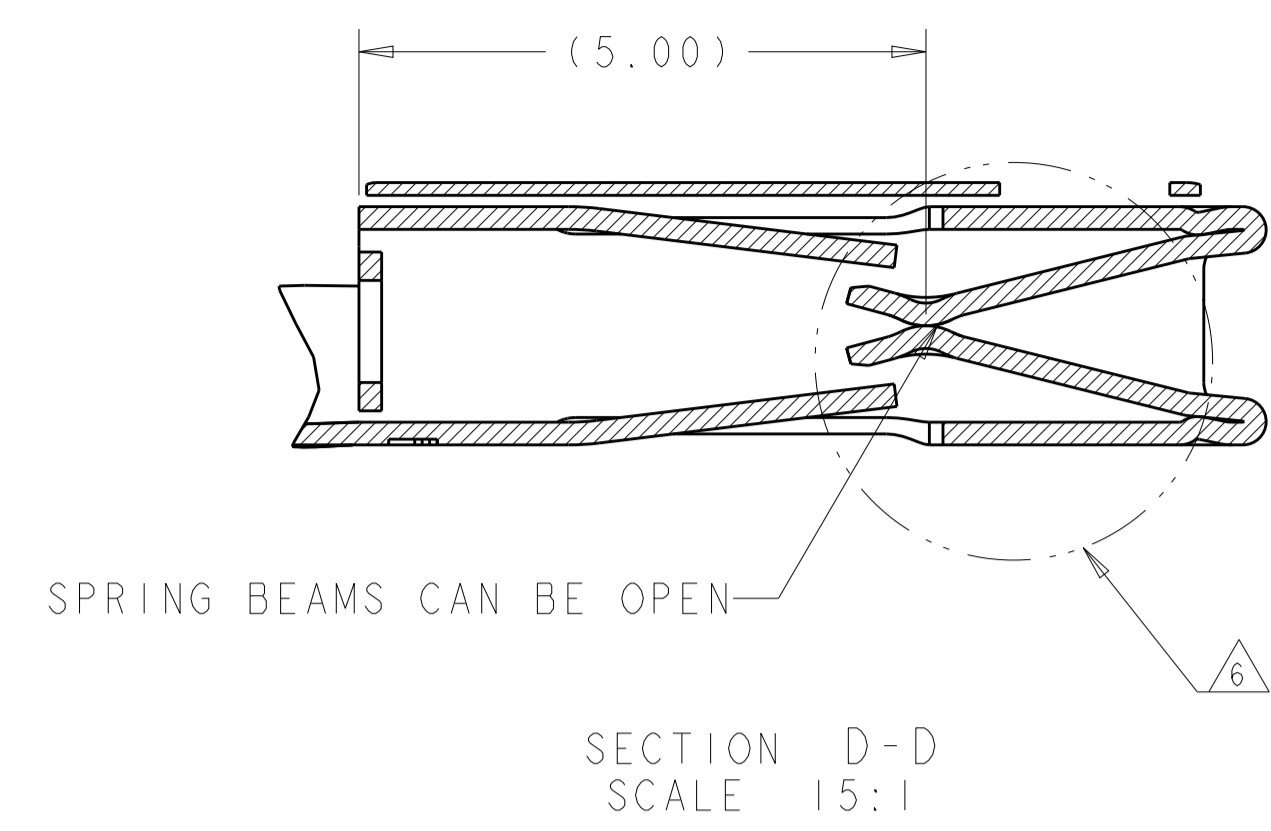
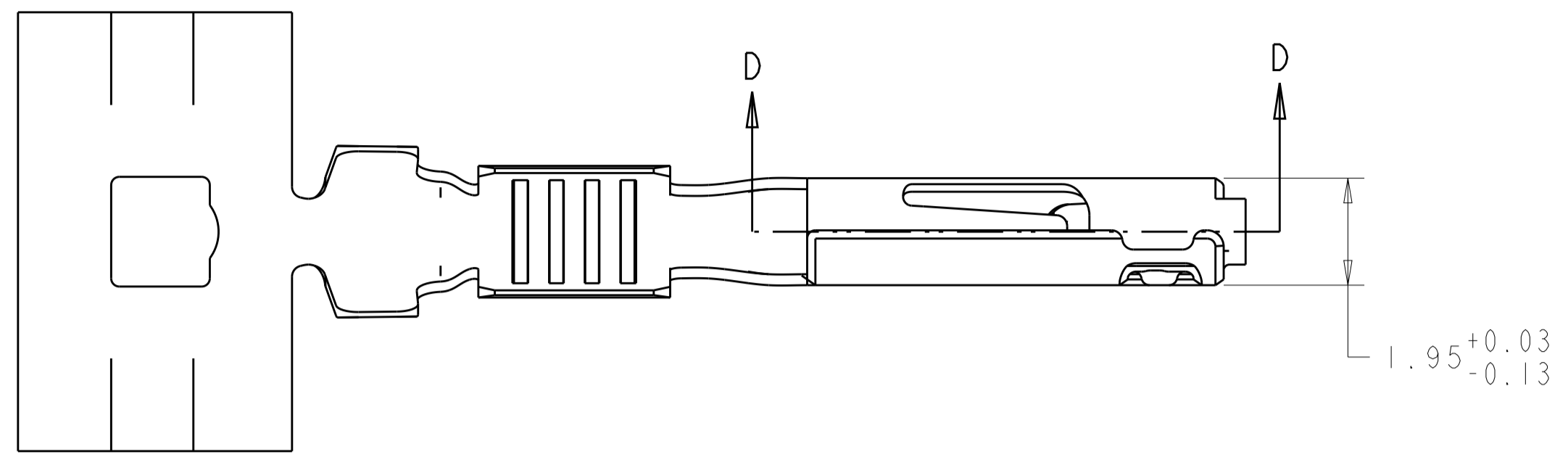
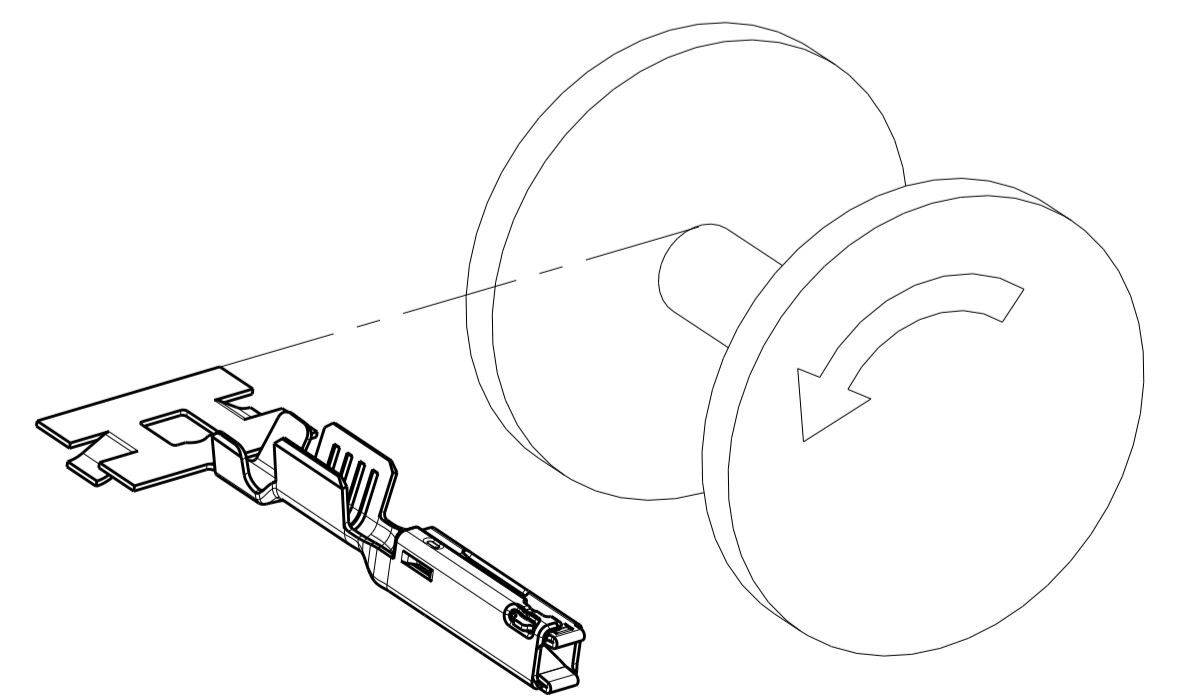
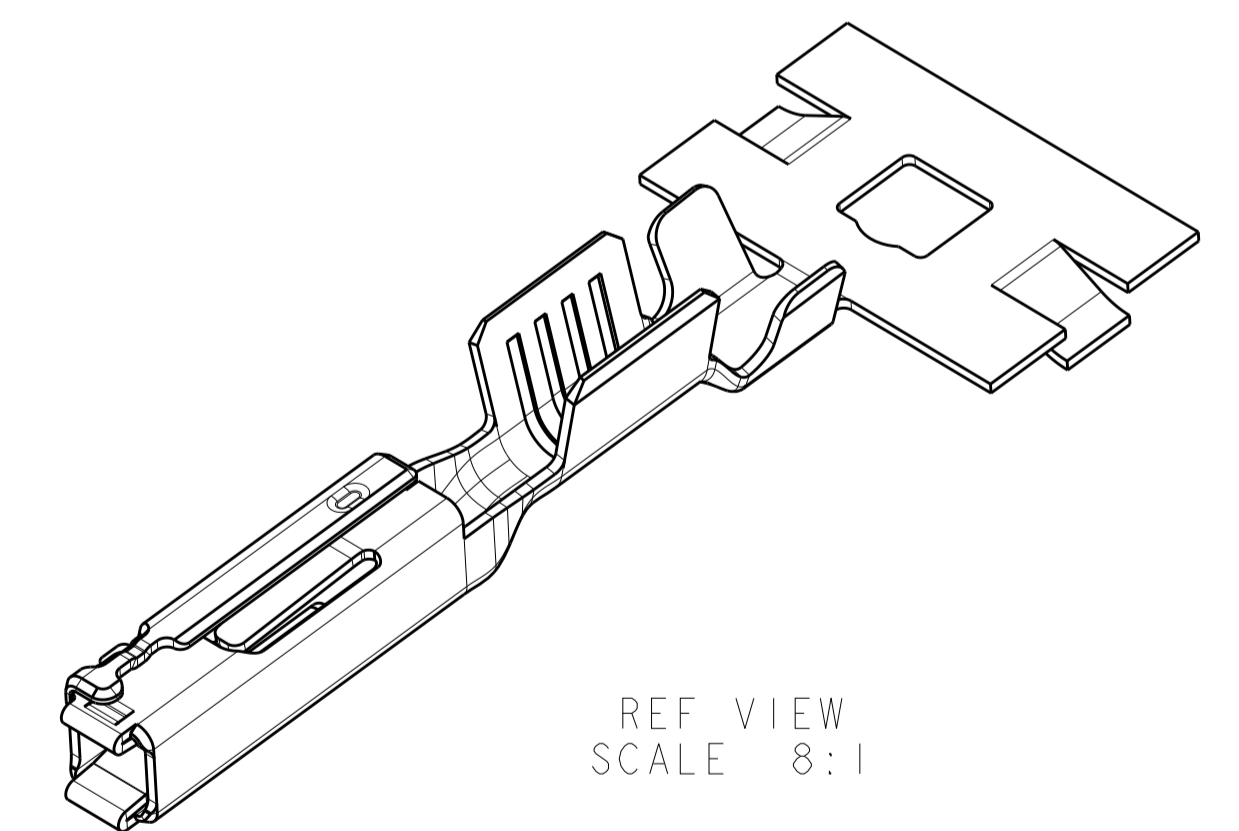
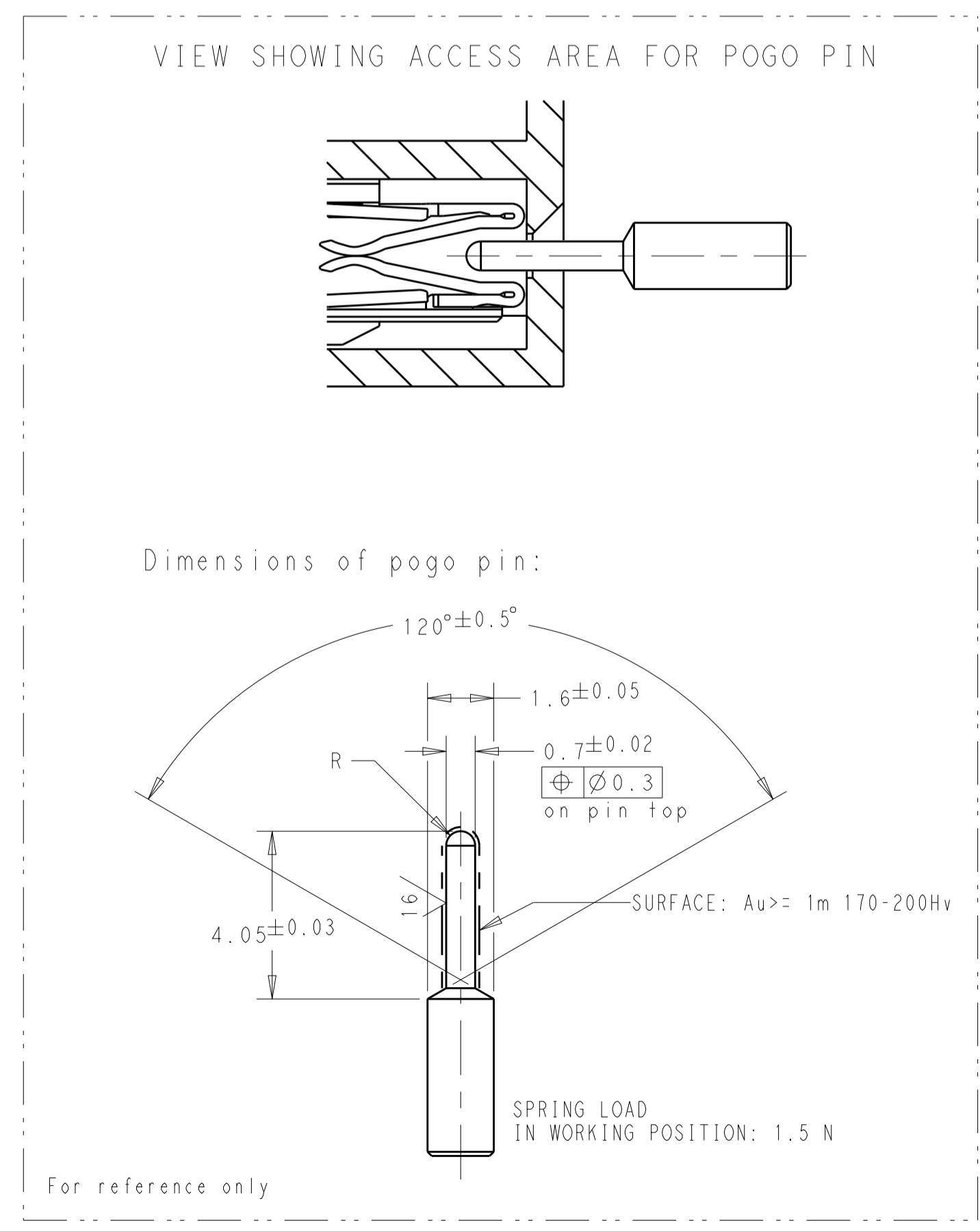
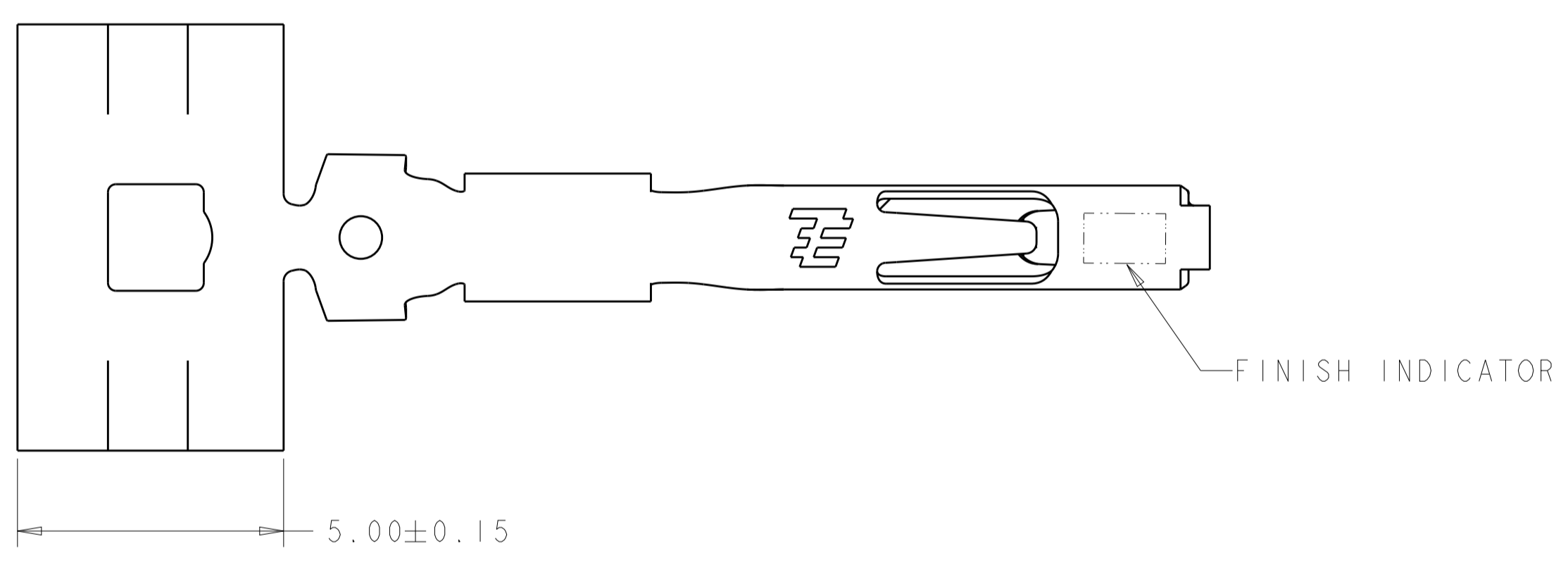
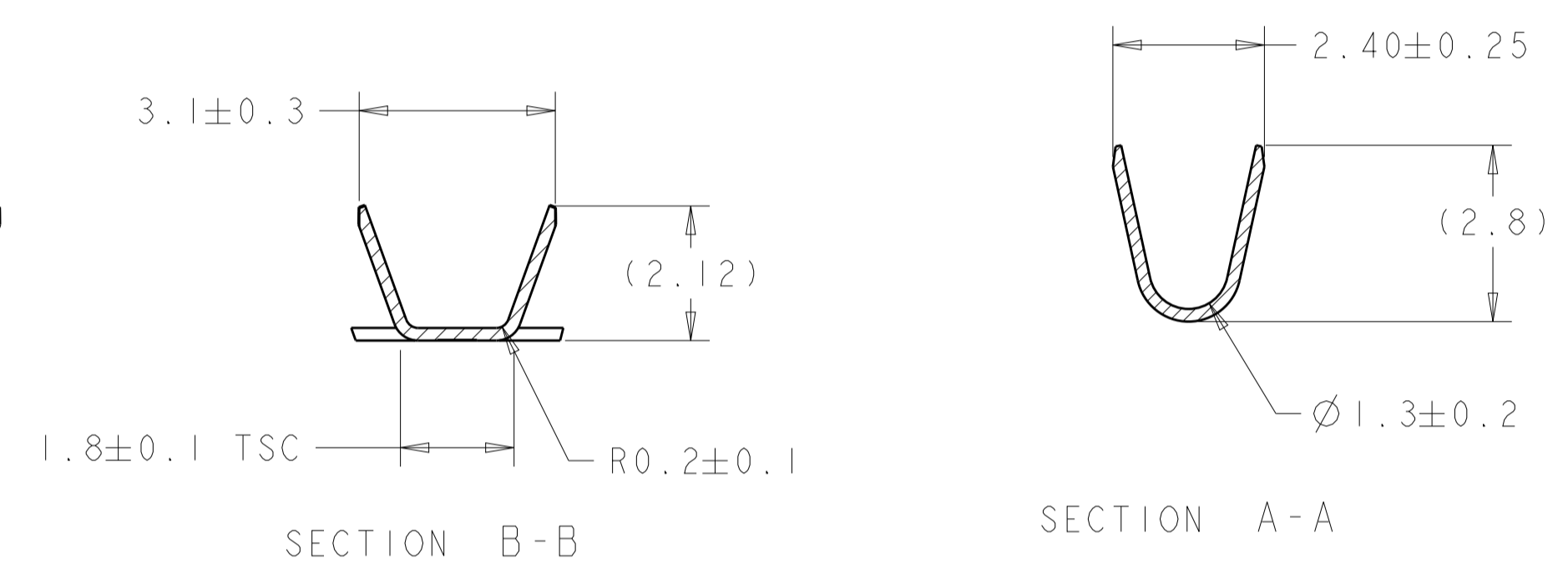
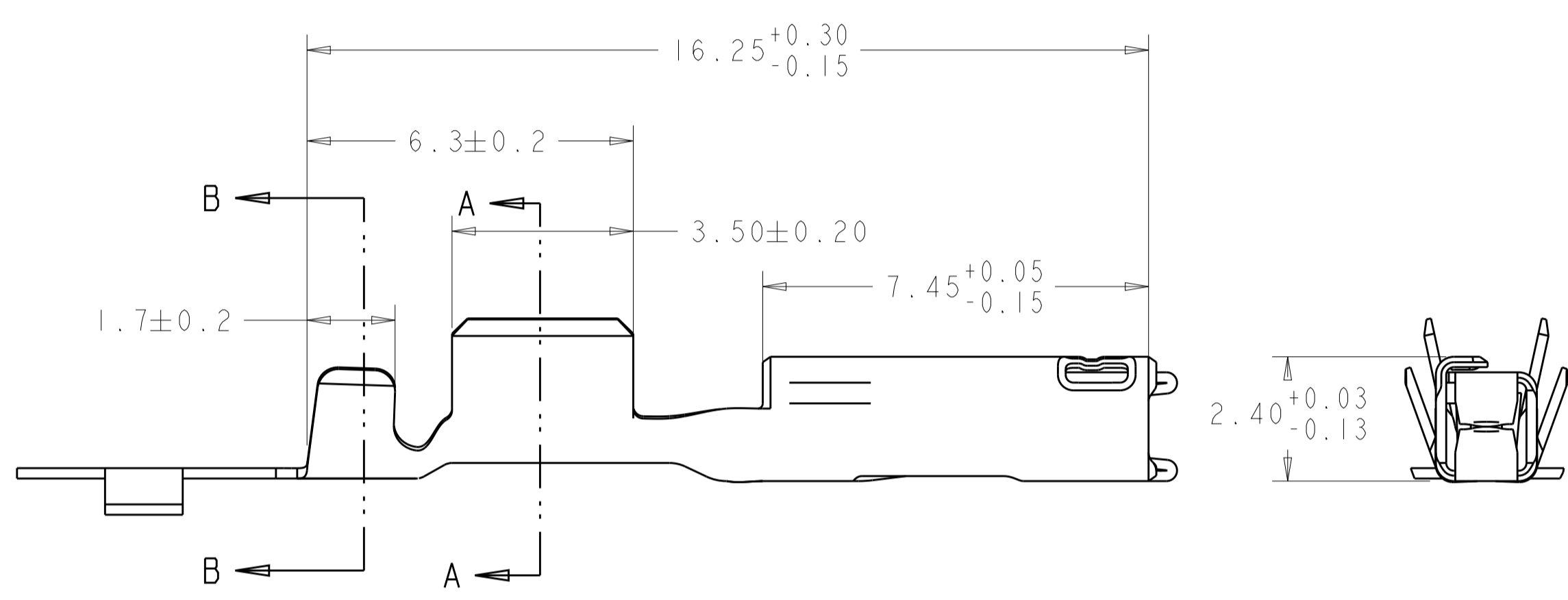


REVISIONS				
P.	LTN	DESCRIPTION	DATE	OWN APVD
A		RELEASED PER ECO-13-008765	24MAY2013	DLD WTW
A1		REVISED PER ECO-13-015719	07OCT2013	DLD WTW
A2		REVISED PER ECO-14-013933	24SEP2014	DLD WTW



- △ MATERIAL: COPPER ALLOY
- △ FINISH: PRE-PLATED WITH 1.00µm MIN TIN-SILVER PLATE. (APPLIES TO CONTACT ALL OVER)
- △ FINISH: PRE-PLATED WITH 2.00µm MIN TIN. (APPLIES TO CONTACT ALL OVER)
- △ FINISH: PRE-PLATED WITH 3.00µm MIN SILVER IN CONTACT AREA. SILVER FLASH OVER REMAINDER OF PART.
- 5. DIE FEED IS 8.00mm
- △ OPTIMOL (UNDILUTED) LUBRICATION IN THIS AREA.
- 7. TERMINAL CRIMPED TO CABLE WITH OUTSIDE DIAMETER GREATER THAN 2.06mm IS NOT APPROVED FOR USE WITH STANDARD GET CIRCUIT CAVITY DESIGN.
- 8. FOR SILVER PLATING ON P/N 1924782-3, TARNISH IS ACCEPTABLE. ELECTRICAL PERFORMANCE IS NOT AFFECTED BY TARNISH ON ANY OF THE SILVER PLATED SURFACES OF THE TERMINAL.



FINISH INDICATOR	FINISH	PART NUMBER
S	△4	1924782-3
NONE	△3	1924782-2
T	△2	1924782-1

THIS DRAWING IS A CONTROLLED DOCUMENT.		OWN: H. MOLL 21NOV2007	TE Connectivity NAME: GET FEMALE TERMINAL, 1.20mm, THIN, 1.00mm SQ SIZE: CAGE CODE DRAWING NO: 114-13236 WEIGHT: A100779 CUSTOMER DRAWING
DIMENSIONS:	TOLERANCES UNLESS OTHERWISE SPECIFIED:	CHK: F. KINSEY 21NOV2007	
mm	0 PLC ±	APVD: F. KINSEY 21NOV2007	
	1 PLC ±0.15	PRODUCT SPEC	
	2 PLC ±	APPLICATION SPEC	RESTRICTED TO
	3 PLC ±	FINISH	
	4 PLC ±	SCALE 10:1	SHEET 1 OF 1
	ANGLES	REV A2	