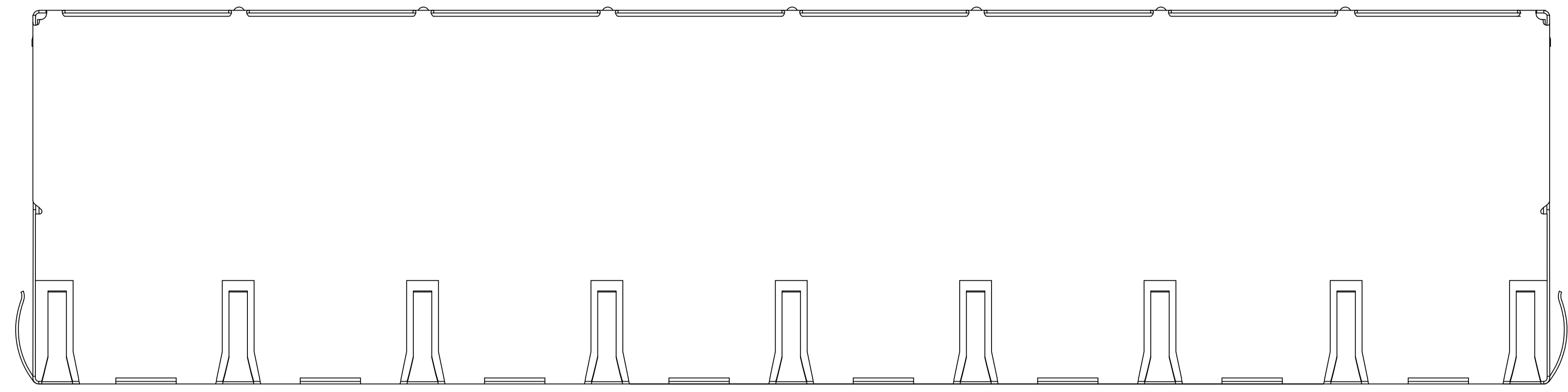
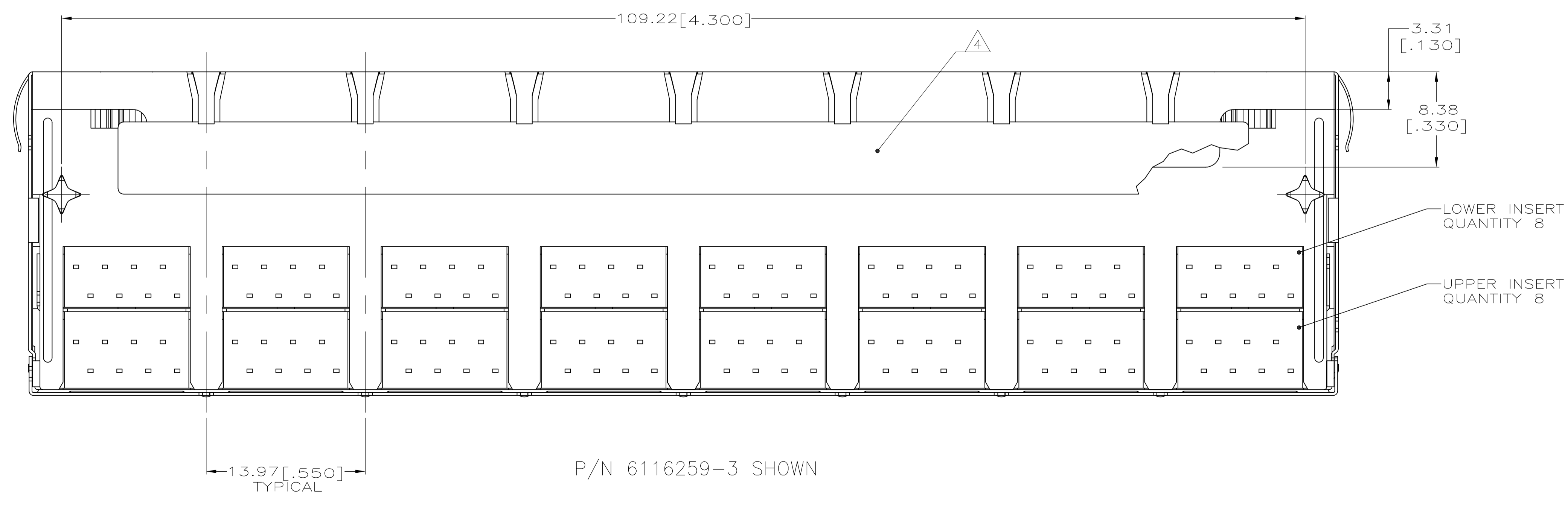
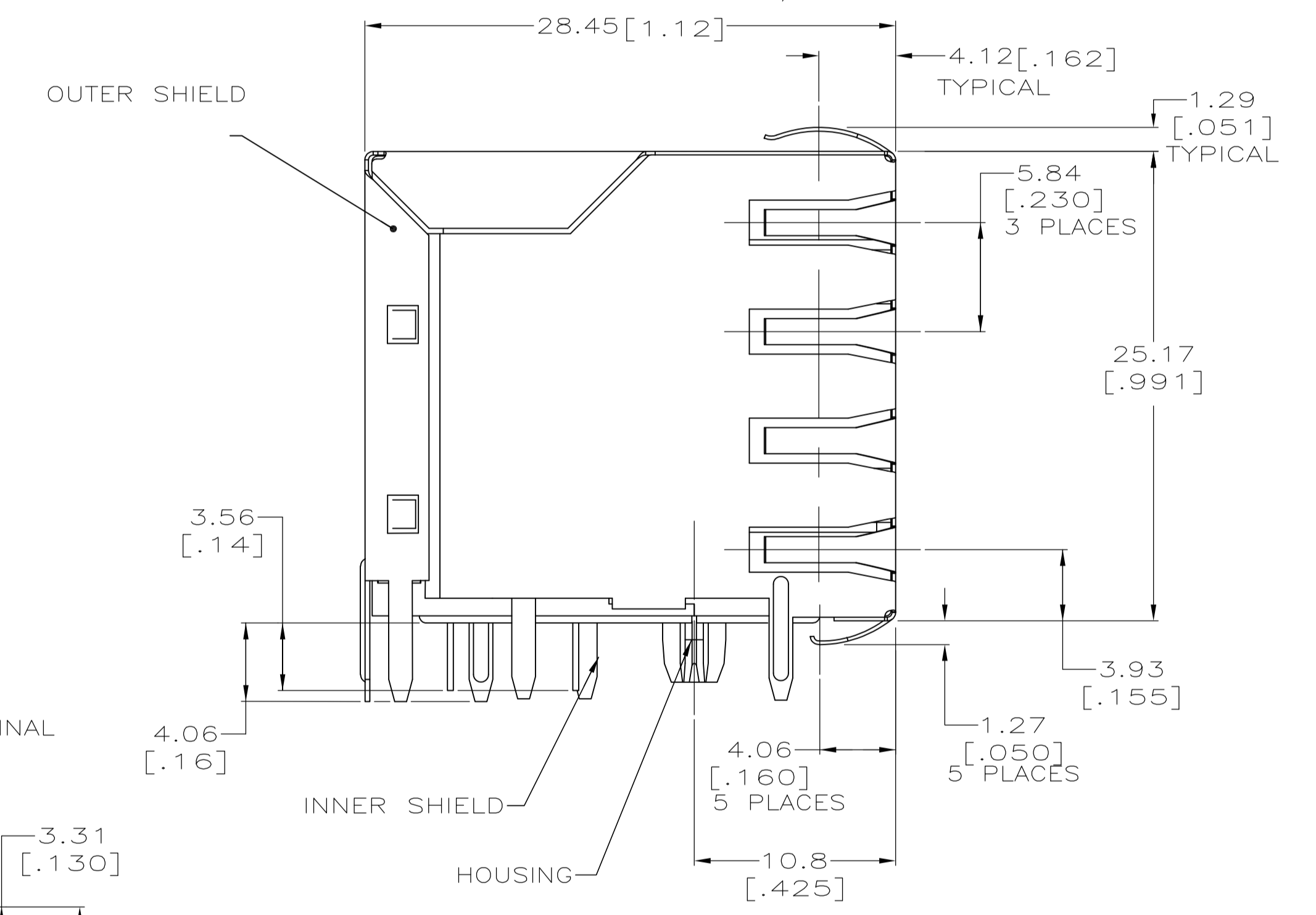
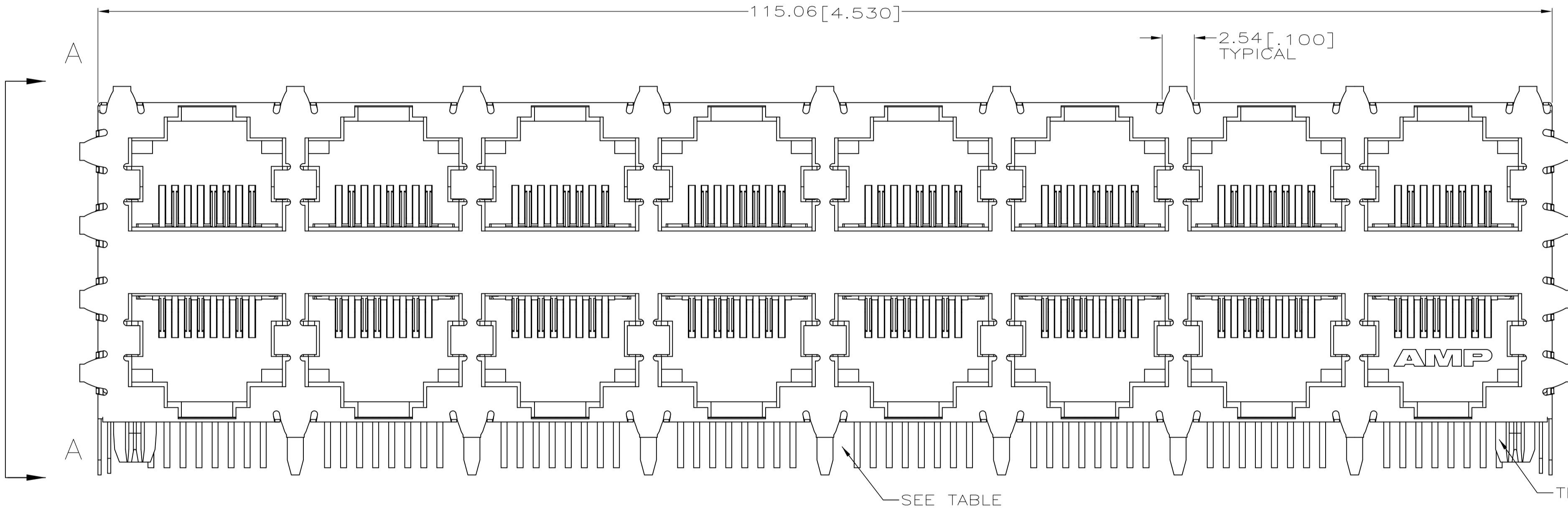


LOC		DIST		REVISIONS			
F	LTR	DESCRIPTION	DATE	DN	APVD		
A3	ECR-11-006855		31MAR2011	JJ	MQW		



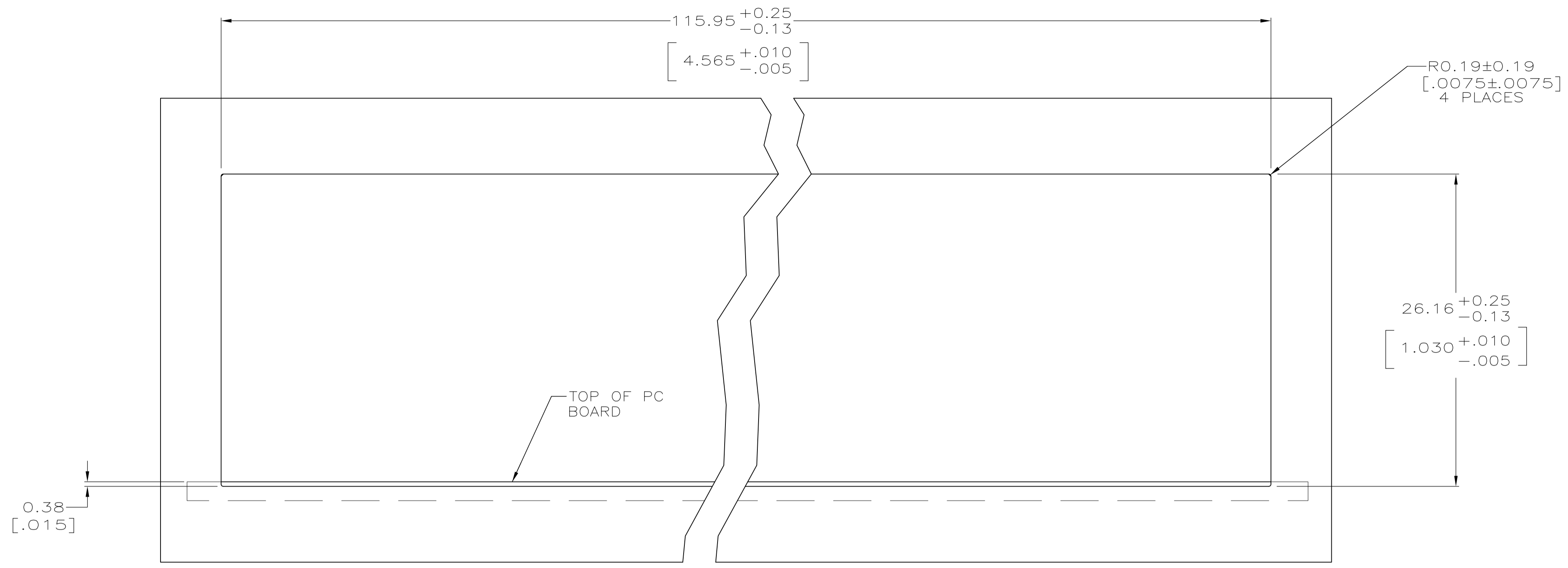
- △ MATERIAL: HOUSING - PCT POLYESTER, BLACK, UL 94V-0.  
 OVERMOLDED TERMINAL ARRAY - PBT, BROWN.  
 TERMINALS - 0.33[.013] THICK PHOS BRONZE PLATED WITH 1.27μm[.000050] MIN THICK HARD GOLD IN LOCALIZED AREA AND 3.81μm[.000150] MIN THICK MATTE TIN IN SOLDER AREA OVER 1.27μm[.000050] MIN THICK NICKEL UNDERPLATE.  
 SHIELD - 0.196[.0077] THICK COPPER ALLOY PLATED WITH SATIN NICKEL 1.27μm[.000050] MIN THICK OVERALL AND 2.03μm[.000080] MIN THICK HOT TIN DIP ON PCB GROUND TABS.  
 INSULATOR - 0.04[.0015] THICK WHITE POLYESTER FILM WITH PRESSURE SENSITIVE ADHESIVE, 6.35 X 99.31 [250 X 3.91].
- △ JACK CAVITY CONFORMS TO FCC RULES AND REGULATIONS, PART 68 SUBPART F.
- △ USE 3.25mm OR #30 DRILL BIT WHEN PRODUCING THESE PCB HOLES.
- △ INSULATOR TAPE, 1500 VAC DWC CAPABLE, APPLIED AS SHOWN FOR PN 6116259-3 ONLY.
- △ DATE CODE LOCATED ON REAR OF PART APPROXIMATELY AS SHOWN.  
 FIRST 2 DIGITS ARE LAST 2 DIGITS OF YEAR, SECOND 2 DIGITS ARE MANUFACTURING WORK WEEK, LAST DIGIT IS DAY OF WEEK WITH SUNDAY = 1.
- △ OBSOLETE PARTS: OBSOLETE CIS STREAMLINING PER D.RENAUD/D.SINISI



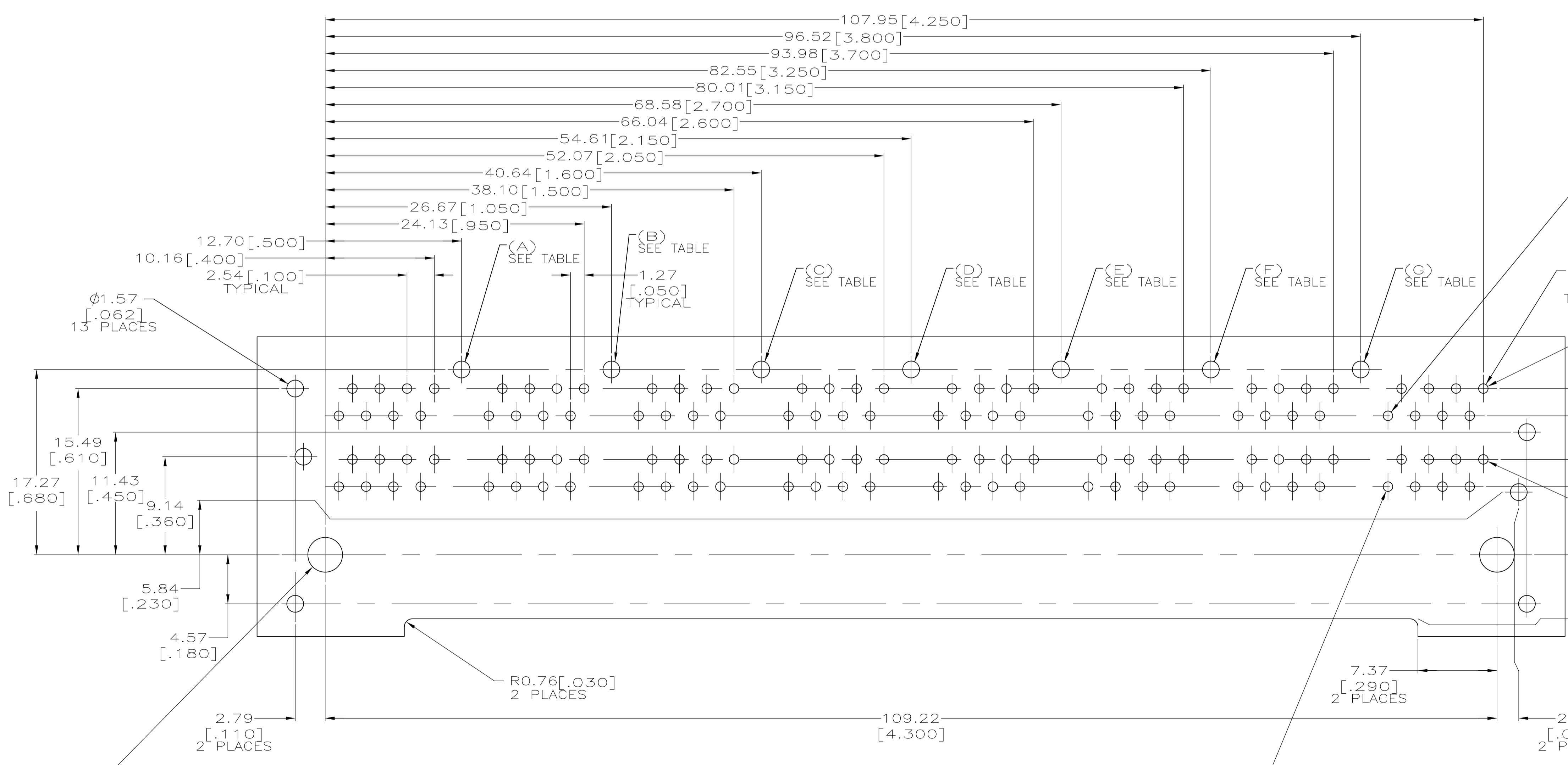
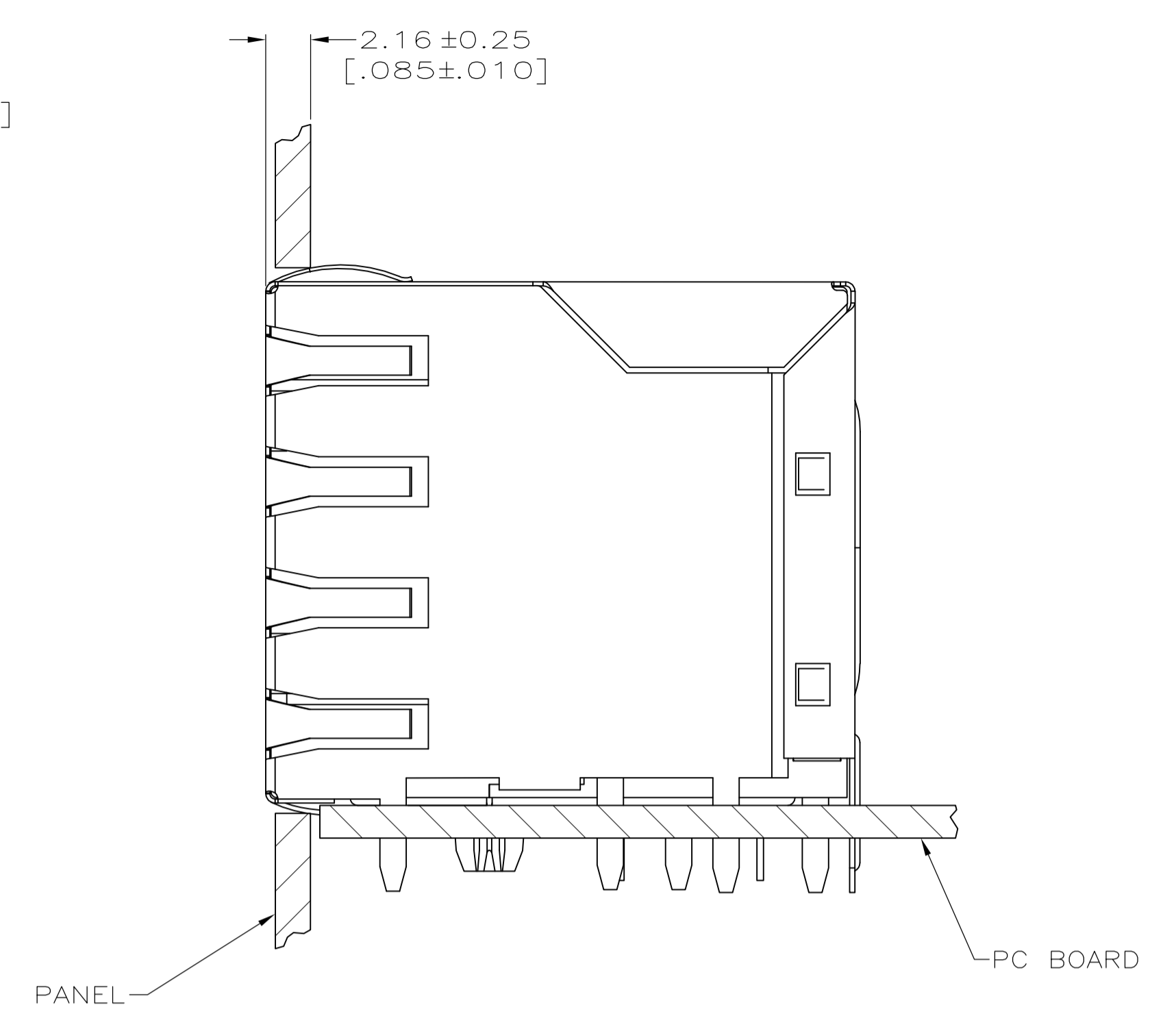
OBVIOUS	DESCRIPTION	REV	DATE	BY	APP'D
△ OBSOLETE	A,B,C,D,E,F,G	7			6116259-3
	A,B,C,D,E,F,G	7			6116259-2
△ OBSOLETE	A,C,E,G	4			6116259-1
HOLES USED		NO. OF REAR TABS	PART NUMBER		

THIS DRAWING IS A CONTROLLED DOCUMENT.

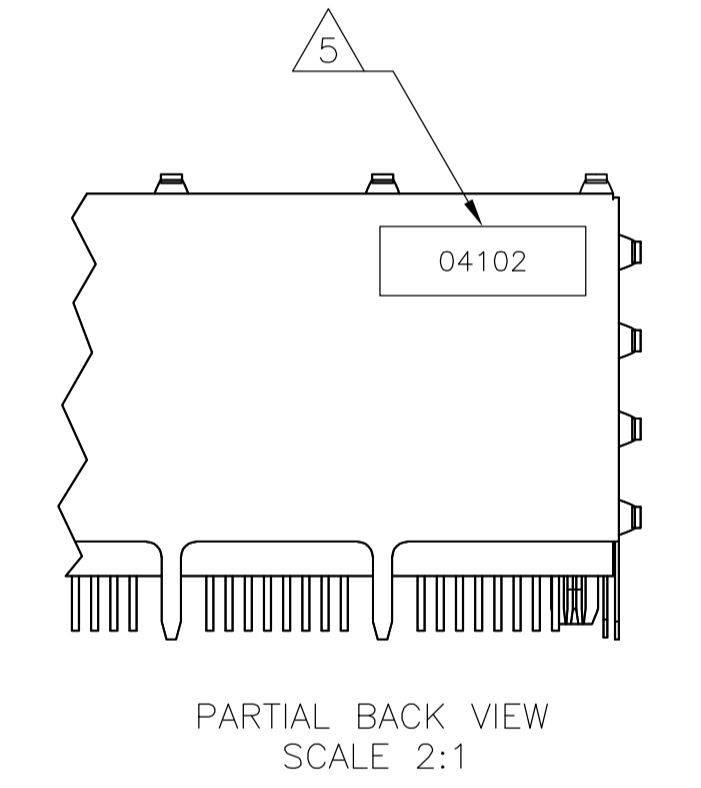
DIMENSIONS: mm [INCHES]	TOLERANCES UNLESS OTHERWISE SPECIFIED:	DIN L VARELA - DOCKS 10JUN2005	tyco Tyco Electronics Corporation Harrisburg, PA 17105-3608
0 PLC ± -	1 PLC ± -	CHK J. WESTMAN 10JUN2005	NAME S. FLICKINGER 10JUN2005
2 PLC ± 0.25[.01]	3 PLC ± 0.13[.005]	APVD S. FLICKINGER 10JUN2005	PRODUCT SPEC 108-1163-2
4 PLC ± -	ANGLES ± -	APPLICATION SPEC 114-2048	SIZE CASE CODE DRAWING NO RESTRICTED TO
MATERIAL △	FINISH △	WEIGHT -	A1 00779 C=6116259
CUSTOMER DRAWING		SCALE 4:1	SHEET 1 OF 2 REV A3



SUGGESTED PANEL CUTOUT DIMENSIONS



PC BOARD LAYOUT VIEWED FROM COMPONENT SIDE



PARTIAL BACK VIEW SCALE 2:1

$\phi 3.25^{+0.08}_{-0.05}$   
 $.128^{+0.003}_{-0.002}$

THIS DRAWING IS A CONTROLLED DOCUMENT.		DIN L VARELA - DOCKS 10JUN2005	Tyco Electronics Corporation Harrisburg, PA 17105-3608
DIMENSIONS: mm [INCHES]		CHK J. WESTMAN 10JUN2005	
TOLERANCES UNLESS OTHERWISE SPECIFIED:		APVD S. FLICKINGER 10JUN2005	NAME
0. PLC ± -	1. PLC ± -	PRODUCT SPEC	STACKED MODULAR JACK ASSEMBLY
2. PLC ± 0.25(.01)	3. PLC ± 0.13(.005)	APPLICATION SPEC	2x8 PORT, 8 POSITION, SHIELDED, WAVE PANEL GROUND, CATEGORY 5
4. PLC ± -	ANGLES ± -	SIZE	108-1163-2
MATERIAL	FINISH	WEIGHT	114-2048
		CAGE CODE	00779
		DRAWING NO	6116259
		RESTRICTED TO	
		CUSTOMER DRAWING	SCALE 4:1 SHEET 2 OF 2 REV A3