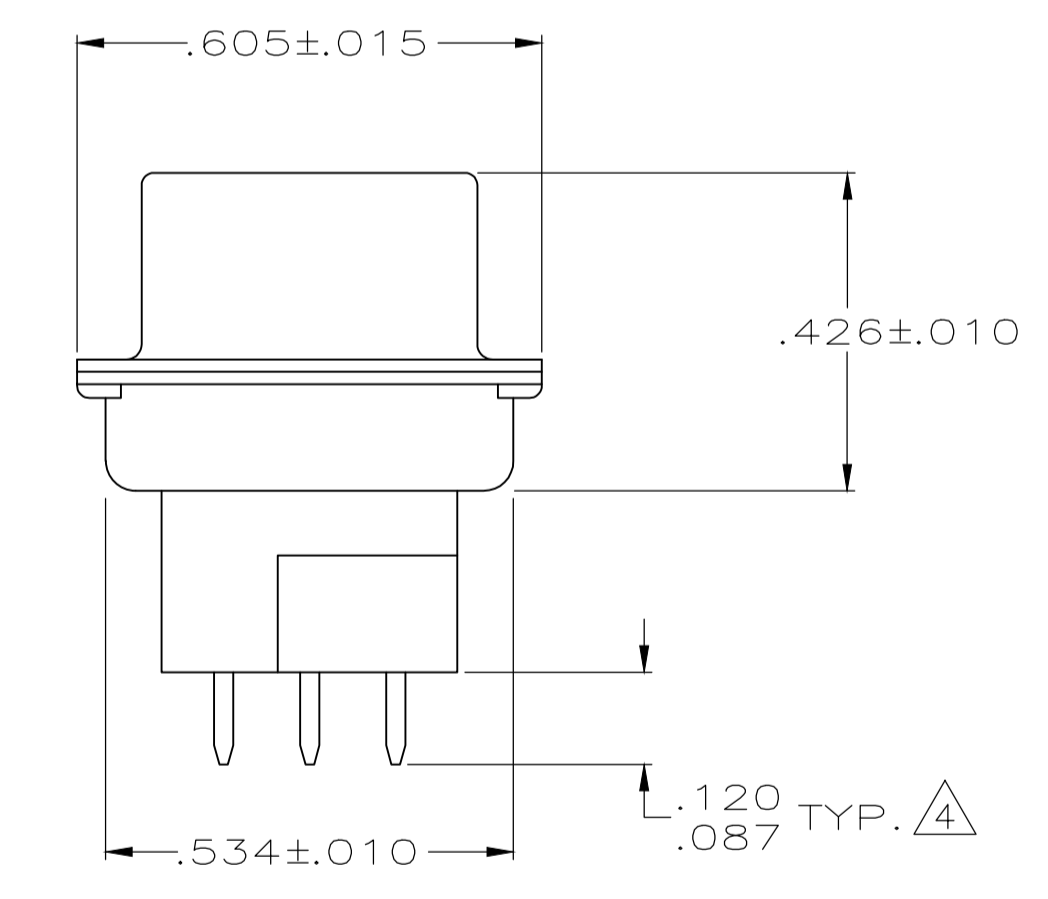
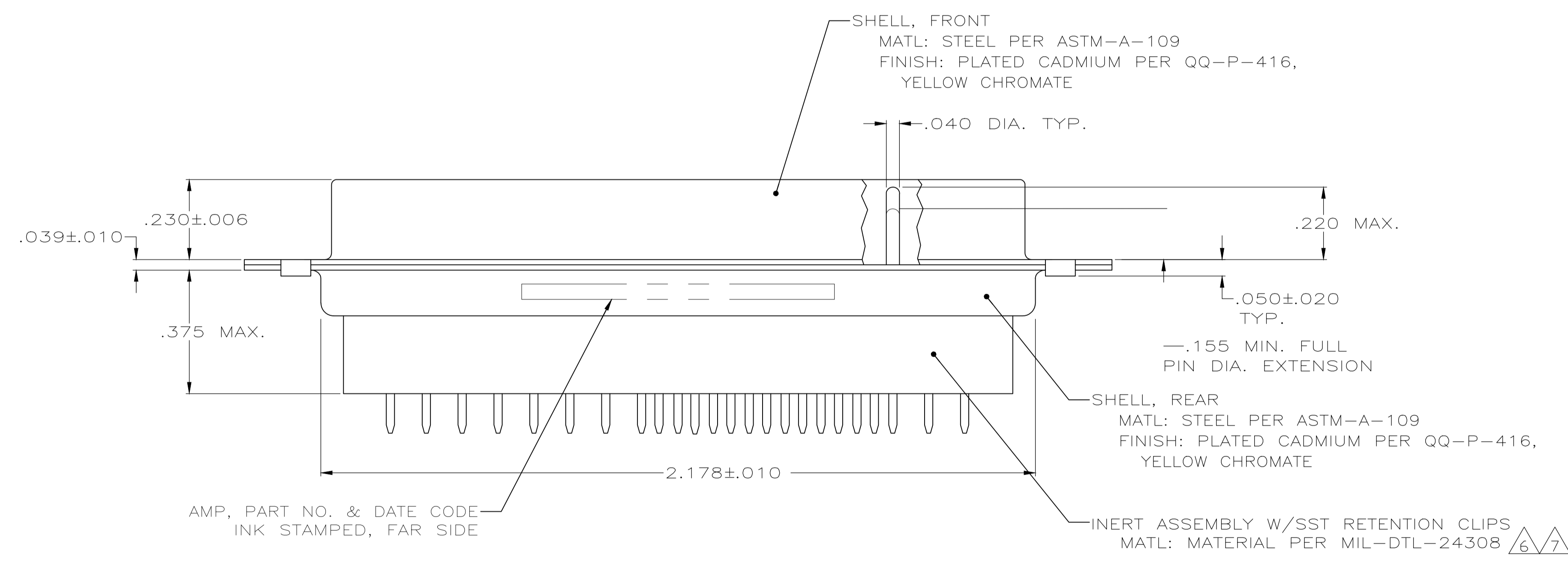
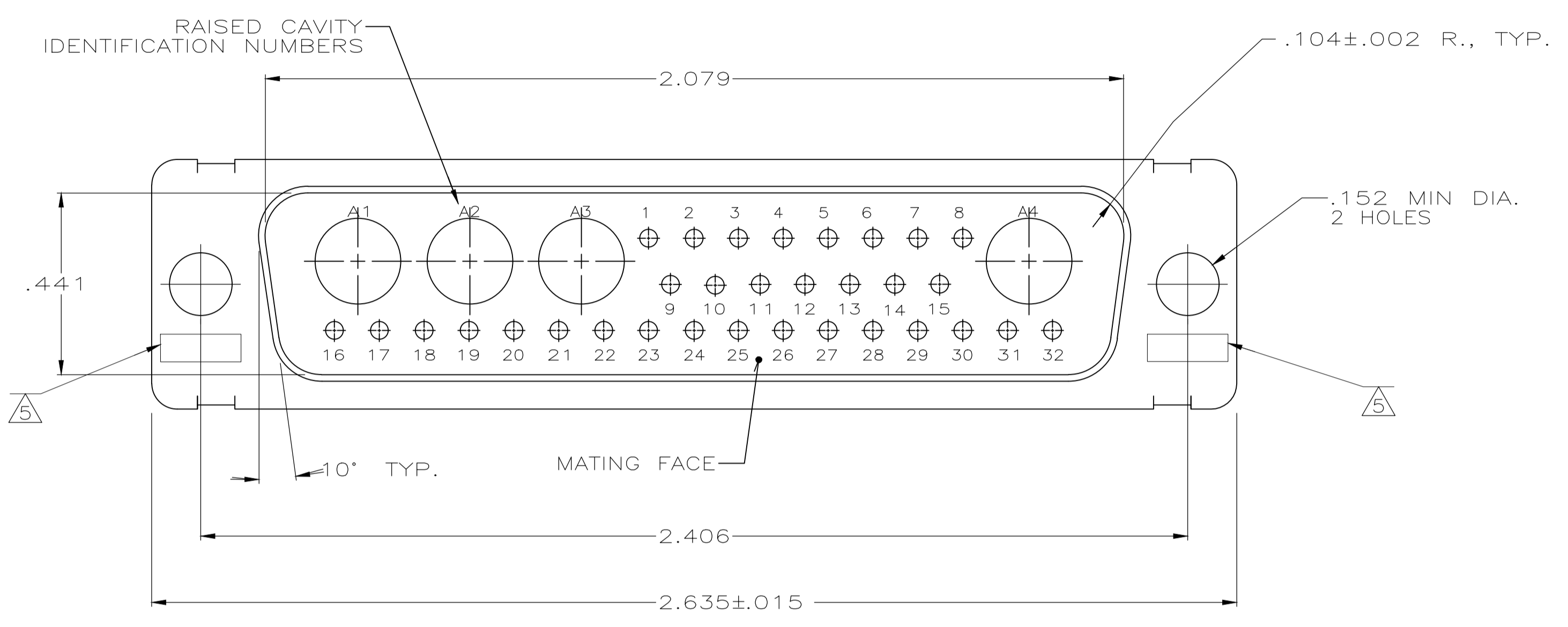


- THIS PLUG WILL MATE WITH ANY 36C4, SIZE 5 RECEPTACLE IN AMPLIMITE SERIES.
- MAXIMUM WIRE INSULATION TO BE USED WITH THIS PLUG IS .068 DIA FOR SIZE 20 CONTACTS.
- THIS CONNECTOR ACCEPTS SIZE 8 POWER OR COAX PIN CONTACTS (4); CONSULT PRODUCT ENGINEERING FOR ADDITIONAL DETAILS.
- WHEN FULLY SEATED REARWARD.
- UL/CSA DESIGNATION STAMPED IN THIS AREA.
- FINISH: CADMIUM PLATE PER QQ-P-416.
- FINISH: ZINC PLATED PER ASTM-B-633 .000200-.000400 THK WITH SUPPLEMENTARY CHROMATE (Cr3+).



7	5-445030-1
6	445303-1
REMARKS	PART NO

THIS DRAWING IS A CONTROLLED DOCUMENT.		DIN 27-May-15 MANJUNATH G M		TE Connectivity	
DIMENSIONS: INCHES		TOLERANCES UNLESS OTHERWISE SPECIFIED:		NAME	
0 PLC ± -		1 PLC ± -		CHARLES THOMAS	
1 PLC ± -		2 PLC ± -		APVD	
2 PLC ± -		3 PLC ± .005		CHARLES THOMAS	
3 PLC ± -		4 PLC ± -		PRODUCT SPEC	
4 PLC ± -		ANGLES ± -		APPLICATION SPEC	
MATERIAL SEE CALLOUTS		FINISH SEE CALLOUTS		SIZE CAGE CODE DRAWING NO	
				A1 00779 C=445030	
		WEIGHT		RESTRICTED TO	
				-	
		CUSTOMER DRAWING		SCALE 4:1 SHEET 1 OF 1 REV G	