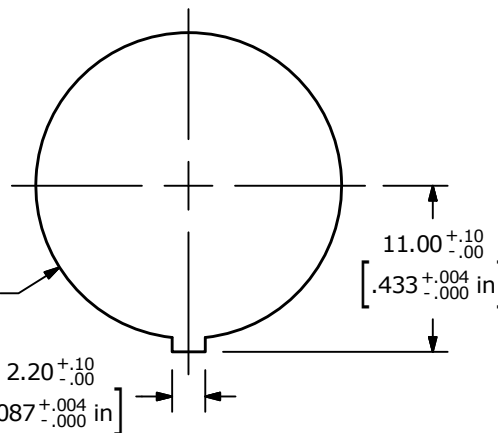


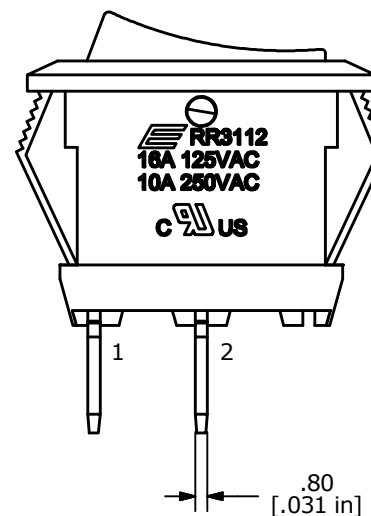
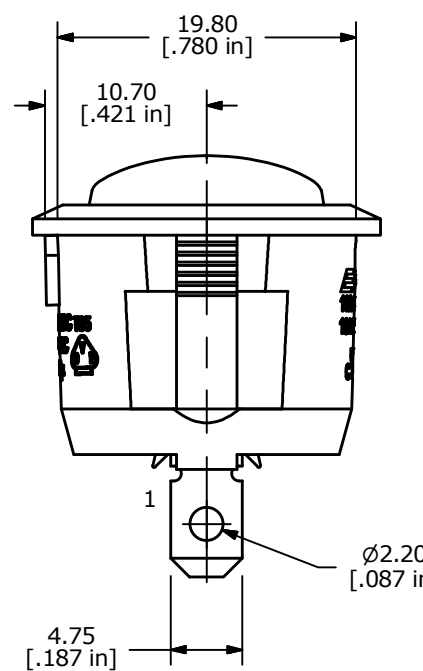
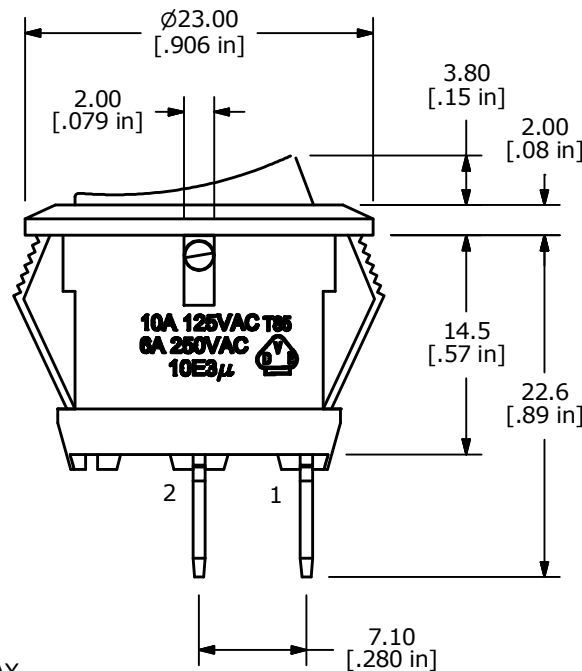
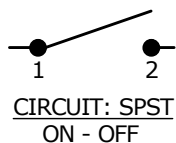
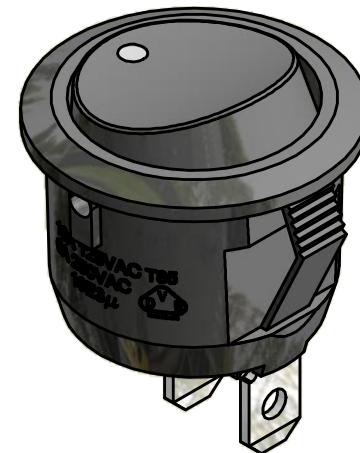
R10.10<sup>+0.10</sup><sub>-.00</sub>  
[.398<sup>+0.004</sup><sub>-.000</sub> in]



11.00<sup>+0.10</sup><sub>-.00</sub>  
[.433<sup>+0.004</sup><sub>-.000</sub> in]

2.20<sup>+0.10</sup><sub>-.00</sub>  
[.087<sup>+0.004</sup><sub>-.000</sub> in]

RECOMMENDED PANEL MOUNTING



NOTES:

1. ALL DIMENSIONS IN MM [INCH]
2. GENERAL TOLERANCE: x.x = ±0.4  
x.xx = ±0.25
3. TERM. NOS. FOR REF. ONLY
4. RATING: 10A 250VAC  
16A 125VAC
5. CONTACT RESISTANCE: 50mOHM MAX.
6. INSULATION RESISTANCE: DC 500V 100M OHM MIN.
7. DIELECTRIC STRENGTH: AC 1500V 1 MIN
8. OPERATING TEMPERATURE: 0°C to 65°C



C	22656	add ON - OFF to circuit diagram	12/29/16	MW
B	16195	REVISED AND REDRAWN	6/28/06	CT
REV	PCR NO	DESCRIPTION	DATE	BY

TITLE RR3112ABLKBLKNAF0				
SCALE	DATE	DR	DWG	REV
2:1	2/25/2000	MM	F130410	C

THE INFORMATION CONTAINED IN THIS DOCUMENT IS PROPRIETARY TO E-SWITCH AND IS NOT TO BE COPIED OR TRANSFERRED