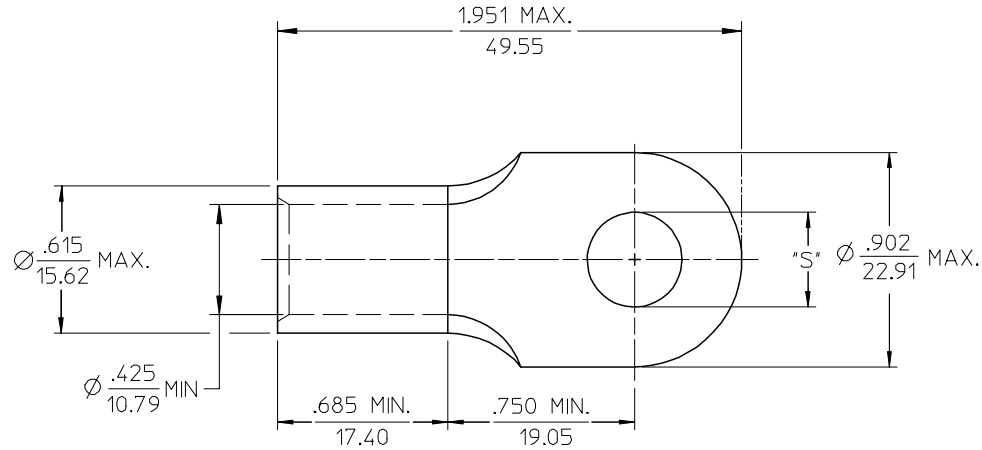


MATERIAL NO.	ENG. NO.	STUD SIZE	±.003 "S"	STOCK THICKNESS
191930326	H-380-14	1/4	.265	.075 (1.90)
191930328	H-380-56	5/16	.328	
191930612	H-380-38	3/8	.390	
191930329	H-380-76	7/16	.453	
191930325	H-380-12	1/2	.515	



SALES DRAWING

- NOTE(S):
1. MATERIAL: COPPER
 2. PLATING: ELECTROPLATE TIN
 3. ALL DIMENSIONS IN INCHES/(MM)
 4. WIRE SIZE: 1/0 AWG
50 MM²
 5. PART IS ROHS COMPLIANT.

REV CHART & ADDED ROHS EC NO: ETL2007-0397 DRW:HEHLE 2007/04/17 CHYD: JMACNEIL 2007/05/09 APPR: JMACNEIL 2007/05/10	QUALITY SYMBOLS	GENERAL TOLERANCES (UNLESS SPECIFIED)		DIMENSION STYLE	SCALE	DESIGN UNITS	THIRD ANGLE PROJECTION																					
	▼=0 ▽=0	<table border="1"> <thead> <tr> <th></th> <th>mm</th> <th>INCH</th> </tr> </thead> <tbody> <tr> <td>4 PLACES</td> <td>± ---</td> <td>± ---</td> </tr> <tr> <td>3 PLACES</td> <td>± ---</td> <td>± .005</td> </tr> <tr> <td>2 PLACES</td> <td>± 0.13</td> <td>± .01</td> </tr> <tr> <td>1 PLACE</td> <td>± 0.25</td> <td>± ---</td> </tr> </tbody> </table>		mm	INCH	4 PLACES	± ---	± ---	3 PLACES	± ---	± .005	2 PLACES	± 0.13	± .01	1 PLACE	± 0.25	± ---	<table border="1"> <thead> <tr> <th>mm</th> <th>INCH</th> </tr> </thead> <tbody> <tr> <td>± 0.13</td> <td>± .01</td> </tr> <tr> <td>± 0.25</td> <td>± ---</td> </tr> </tbody> </table>	mm	INCH	± 0.13	± .01	± 0.25	± ---	DRAWN BY: GZ DATE: 85/04/15	SCALE: 2:1	DESIGN UNITS: INCH	THIRD ANGLE PROJECTION
		mm	INCH																									
	4 PLACES	± ---	± ---																									
3 PLACES	± ---	± .005																										
2 PLACES	± 0.13	± .01																										
1 PLACE	± 0.25	± ---																										
mm	INCH																											
± 0.13	± .01																											
± 0.25	± ---																											
DRAFT WHERE APPLICABLE MUST REMAIN WITHIN DIMENSIONS	SEE CHART	CHECKED BY: GZ DATE: 85/04/15	APPROVED BY: GZ DATE: 85/04/15	TITLE: RING TONGUE TERMINAL, VERSAKRIMP SERIES, 1/0 AWG	MOLEX INCORPORATED	MATERIAL NO.: SD-19193-008	SHEET NO.: 1 OF 1																					
THIS DRAWING CONTAINS INFORMATION THAT IS PROPRIETARY TO MOLEX INCORPORATED AND SHOULD NOT BE USED WITHOUT WRITTEN PERMISSION																												