

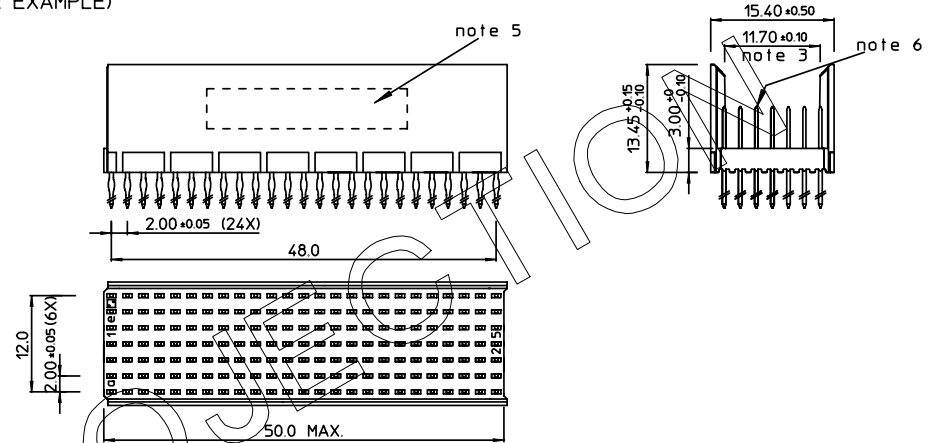
GEN. ST.	01	02	03	04	05	06	07	08	0D	50	60	70	80	90																	
INT. ST.	10	11	12	13	14	18	20	31	32	33	34	38	39	40	42	43	44	45	46	48	56	70	72	73	75	76	81	82	83	84	88

REV.	DATE	DESCRIPTION	BY	C'K'D'
A	2001-09-14	CONVERSION REVISION 02	KN	
B	2002-05-28	EC B20086	MF	
C	2005-11-07	105-0218	VIVEK	BKP
D	2006-08-02	106-0118	ALEX B	BKP

LOADING PATTERN MATING SIDE

f	6	6	6	6	6	6	6	6	6	6	6	6	6	6	6	6	6	G	G	G	G	G
e	5	5	5	5	5	5	5	5	5	5	5	5	5	5	5	5	5	A	A	A	A	A
d	5	5	5	5	5	5	5	5	5	5	5	5	5	5	5	5	5	A	A	A	A	A
c	6	6	6	6	6	6	6	6	6	6	6	6	6	6	6	6	6	G	G	G	G	G
b	5	5	5	5	5	5	5	5	5	5	5	5	5	5	5	5	5	A	A	A	A	A
a	5	5	5	5	5	5	5	5	5	5	5	5	5	5	5	5	5	A	A	A	A	A
z	6	6	6	6	6	6	6	6	6	6	6	6	6	6	6	6	6	G	G	G	G	G
POS	0	1	0	5	1	0	1	5	2	0	2	5										

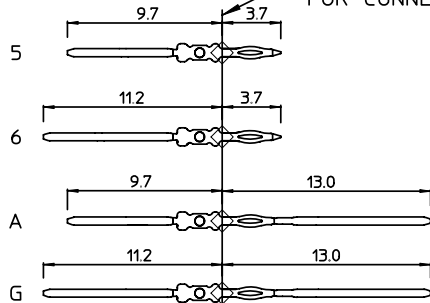
LOADED CONNECTOR ASSEMBLY  
(FOR EXAMPLE)



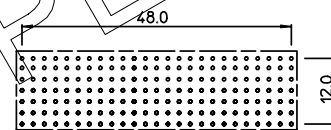
SHEET NR. : 976

CONTACT OVERVIEW

SEATING PLANE FOR CONNECTOR



LAY-OUT P.C.B.-HOLE



LEAD FREE INDICATOR : LF = LEAD FREE  
(DIGIT 15 & 16)

HM2P08PKJ2K5

PLATING CODE (DIGIT 13 AND 14)  
(REF DWG No. BS,C ,201844,003)

NOTES:

- THIS PRODUCT IS CSA APPROVED.
- THIS PRODUCT IS UL RECOGNIZED.
- MEASURED AT THE BOTTOM.
- MATERIAL CONTACT: PHOSPHORBRONZE  
HOUSING: CREAM WHITE GLASSFILLED POLYESTER UL-94V0
- CONNECTOR PRINTED WITH P/N AND DATE CODE.
- FOR ACTUAL CONTACT LOADINGS, SEE LOADING PATTERN MATING SIDE.
- SHAPE OF CONNECTOR HOUSING CAN ALTER DEPENDING ON PRODUCTION LOCATION.
- THE PRODUCT (LF) MEETS EUROPEAN UNION DIRECTIVES AND OTHER COUNTRY REGULATIONS AS DESCRIBED IN GS-22-008
- FOR RECOMMENDED PTH DIMENSIONS REFER DRAWING : BS,A ,201572,001

EUROPEAN PRO

1DEC ± 0,2 2DEC ± 0,1 ANGLES ± 1°	APPR. DRAFT CHECKED	DATE 2000-01-04	SIGN. G.Nys	LOADING PATTERN OVERVIEW
WE RESERVE THE RIGHT TO CHANGE DIMENS'ONS OR REQUIREMENTS WITHOUT PRIOR NOTICE.	PROD. MGR. PR.ENG.MGR. PR.MGT.MGR.			CAT. No. HM2P08PKJ2K5----
ALL DIMENSIONS IN MM				SCALE



www.fciconnect.com

REFERENCES



BS,C ,201843,893

D

PDM: Rev:D

STATUS: Released

CUSTOMER DRAWING REVISION  
Printed: Dec 02, 2007