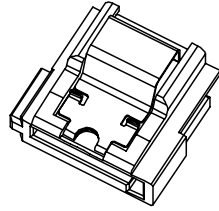


P/N	PLATING TYPE	REMARK
67489-0001	GOLD FLASH	METAL LATCH TYPE ONLY
67489-0002	GOLDPLATED 0.76 MICRONS	
67489-0005	GOLDPLATED 0.38 MICRONS	



NOTES:

1.MATERIAL:

HOUSING: THERMAL PLASTIC, GLASS FILLED, UL94V-0, COLOR: BLACK.
 COVER: THERMAL PLASTIC, COLOR : BLACK.
 TERMINAL: COPPER ALLOY.
 METAL LATCH: STAINLESS STEEL

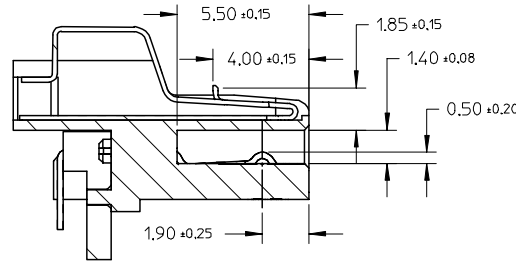
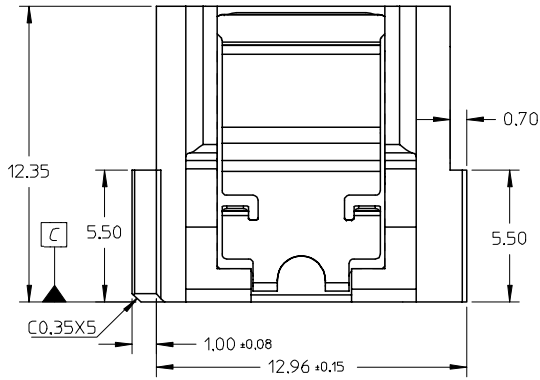
2.TERMINAL PLATING :

CONTACT AREA: GOLD PLATED;
 SOLDER TAIL:TIN, THICKNESS=1.27 MICRNS MINIMUM
 UNDER PLATE:NICKEL, THICKNESS=1.27 MICRONS MINIMUM

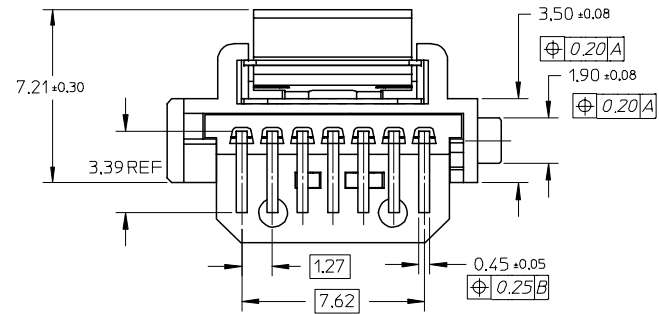
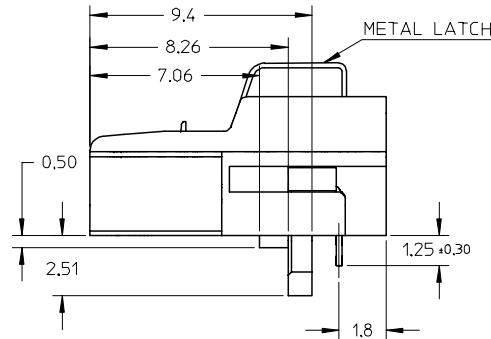
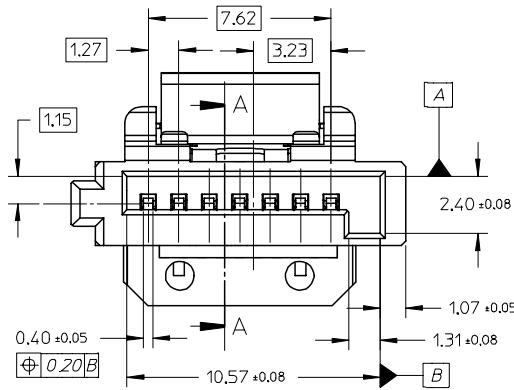
3.PACKAGING : TRAY

4.PRODUCT SPECIFICATION REFER TO PS-67490-00*

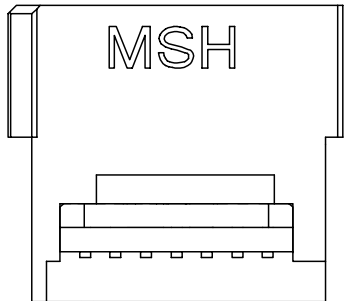
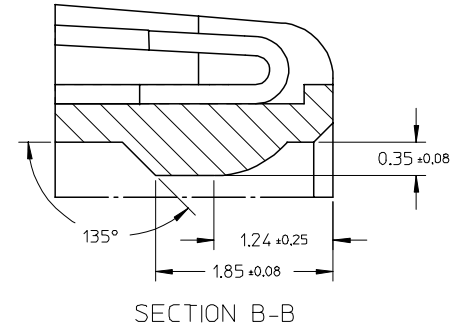
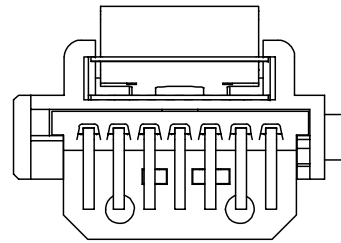
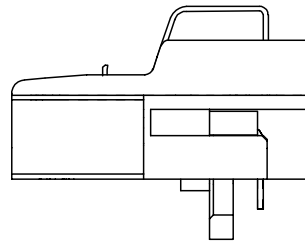
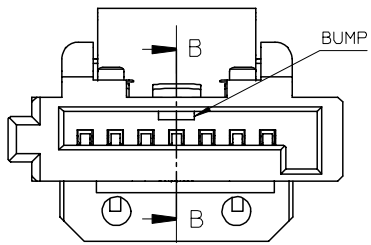
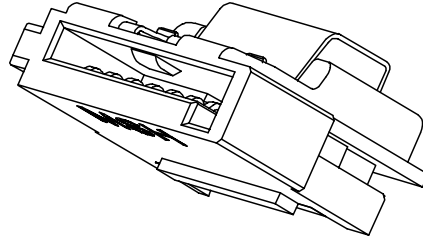
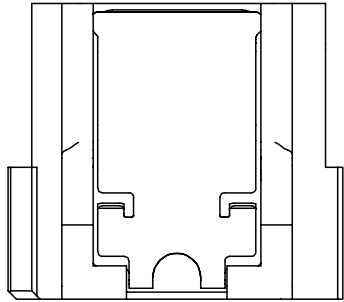
5 MATING PART 67800, 47080 SERIES



SECTION A-A



EC NO: SH2004-0185 DRWN:GRMA 2004/12/28 CHKD:GRATE 2004/12/30 APPR:YTYAP 2004/12/30	QUALITY SYMBOLS ▽ = 0 ▽ = 0	GENERAL TOLERANCES (UNLESS SPECIFIED)		SCALE 5:1	DESIGN UNITS METRIC	THIRD ANGLE PROJECTION	REVISE ON CAD ONLY		
		4 PLACES ± --- ± --- 3 PLACES ± --- ± --- 2 PLACES ± 0.2 ± --- 1 PLACE ± 0.25 ± ---	DIMENSION STYLE MM ONLY	TITLE SERIAL ATA R/A CABLE END CONNECTOR WITH LATCH TYPE					
		DRAFT WHERE APPLICABLE MUST REMAIN WITHIN DIMENSIONS		DRAWN BY GRATE MA	DATE 2004/03/24	CHECKED BY YAJUN	DATE 2004/03/24	MATERIAL NO. SEE TABLE	DOCUMENT NO. SD-67489-001
				APPROVED BY SAM	DATE 2004/03/24	MOLEX INCORPORATED			SHEET NO. 1 OF 2



THIS IS ONLY FOR 67489-200*, OTHER
INFOMATION IS REFERED TO 67489-000*

P/N	PLATING TYPE	REMARK
67489-2001	GOLD FLASH	BOTH METAL LATCH
67489-2002	GOLD PLATED 0.76 MICRONS	AND BUMP TYPE
67489-2005	GOLD PLATED 0.38 MICRONS	

tb_frame_B
rev. B1 2000/08/01

EC NO: SH2004-0185 DRWN: GRMA 2004/12/28 CHKD: GRATE 2004/12/30 APPR: YTYAP 2004/12/30	QUALITY SYMBOLS ▽ = 0 ▽ = 0	GENERAL TOLERANCES (UNLESS SPECIFIED)		SCALE 5:1	DESIGN UNITS METRIC	THIRD ANGLE PROJECTION	REVISE ON CAD ONLY		
		4 PLACES ± --- ± --- 3 PLACES ± --- ± --- 2 PLACES ± 0.2 ± --- 1 PLACE ± 0.25 ± ---	DIMENSION STYLE MM ONLY	TITLE SERIAL ATA R/A CABLE END CONNECTOR WITH LATCH TYPE					
		ANGULAR ± 1 °	DRAFT WHERE APPLICABLE	DRAWN BY GRATE MA CHECKED BY YAJUN APPROVED BY SAM	DATE 2004/03/24 DATE 2004/03/24 DATE 2004/03/24	MOLEX INCORPORATED			
		MUST REMAIN WITHIN DIMENSIONS	THIS DRAWING CONTAINS INFORMATION THAT IS PROPRIETARY TO MOLEX INCORPORATED AND SHOULD NOT BE USED WITHOUT WRITTEN PERMISSION						