
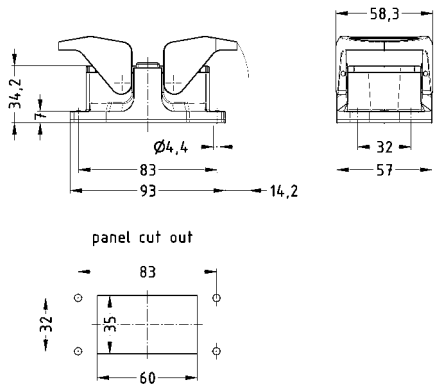

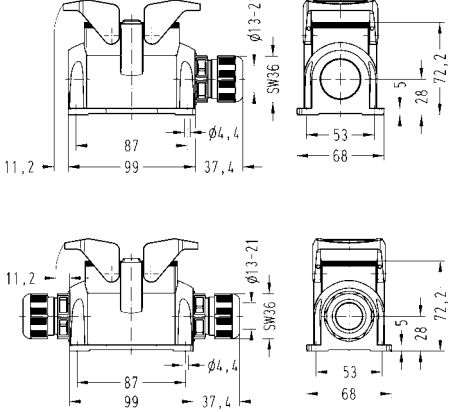



Identification	Cable entry	Part number	Drawing Dimensions in mm
Han-Eco®, Bulkhead mounted housings 		19 41 210 0301	
Han® B, Surface mounted housings, side entry	1xM32 2xM32	19 41 210 0232 19 41 210 0272	
Han® B, Surface mounted housings with integrated cable gland, side entry 	1xM32 2xM32	19 41 310 0232 19 41 310 0272	
Han-Eco®, Cable to cable housings, top entry	1xM32	19 41 210 0722	
Han-Eco®, Cable to cable housings with integrated cable gland, top entry 	1xM32	19 41 310 0722	