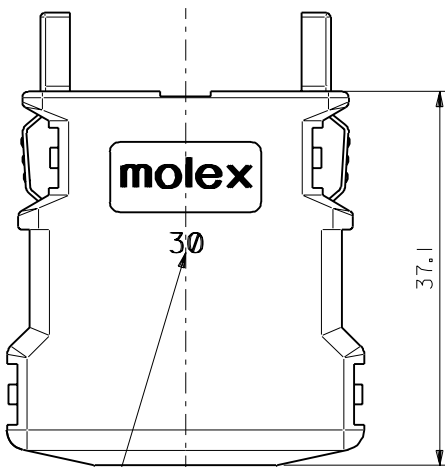
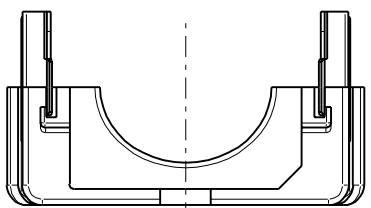
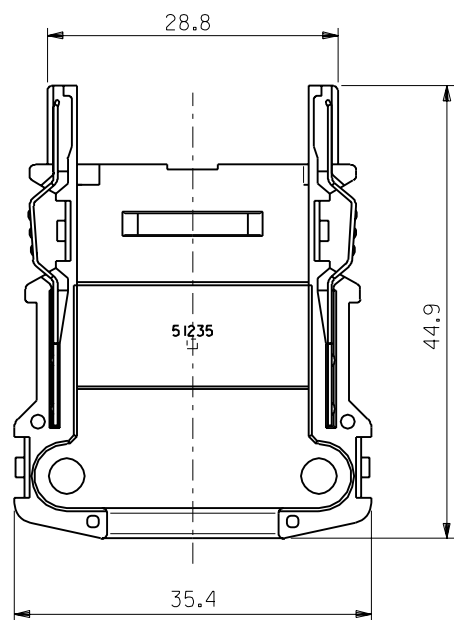
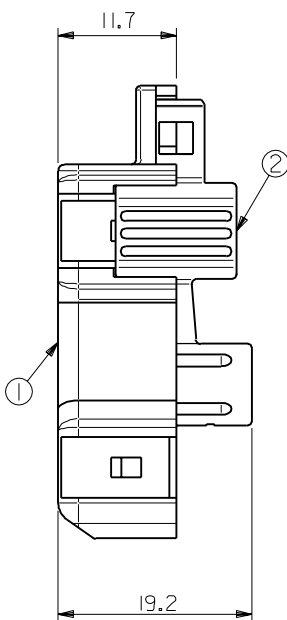
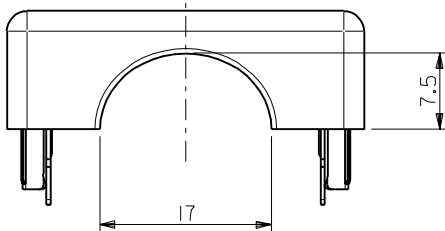


DWG. NO.
SD-51235-009



SIZE IDENTIFICATION



注記
NOTES

1. 材質
MATERIAL
 ① カバー A : ガラス入りポリカーボネイト樹脂
 COVER A : POLYCARBONATE G.F.
 UL 94V-0 色 : グレー
 UL 94V-0 COLOR : GRAY
 ② スプリングラッチ : ステンレス鋼 t0.4
 SPRING LATCH : STAINLESS STEEL t0.4
 2. 適用プラグカバー B : 51236-3005
 APPLICABLE PLUG COVER B : 51236-3005

51235-3015	51235-***15
MATERIAL.NO	MODEL.NO
DIMENSIONS:	
<input type="checkbox"/> mm	<input type="checkbox"/> INCH
<input checked="" type="checkbox"/> mm	<input type="checkbox"/> INCH
SHT	
REV	
REVISE ON CAD ONLY	

EC NO. DRWN: CHK: APPR:	EC NO. DRWN: CHK: APPR:	EC NO. DRWN: CHK: APPR:	REVISED 01/10/24 EC NO. J2002-0999 DRWN: K.SAKAMOTO CHK: J.MIYAZAWA APPR: Y.O.IIO	RELEASED 01/02/16 EC NO. JD2001-1040 DRWN: S.AKIYAMA CHK: J.MIYAZAWA APPR: H.IKESUGI	MATERIAL 材料 注記参照 SEE NOTES	GENERAL TOLERANCES: (UNLESS SPECIFIED) 一般公差	SCALE 2-1	DESIGN UNITS <input checked="" type="checkbox"/> mm <input type="checkbox"/> INCH	THIRD ANGLE PROJECTION	TITLE: COMPACT ROBOT CONN. (CRC) PLUG MOLD COVER A
					FINISH 仕上げ	10 UNDER 未満	±0.2	DRAWN BY & DATE S. Akiyama 01/01/25	TITLE: MOLEX INCORPORATED	
					30 UNDER 未満	10 OVER 以上	±0.25	CHECKED BY & DATE J. Miyazawa / Y. Oe		
					30 OVER 以上		±0.3	APPROVED BY & DATE H. Ikesugi		
					WIRE RANGE 適用線径範囲			CAD FILE NAME 51235009.S01	MATERIAL NO. SEE CHART	
					INS. RANGE 被覆外径			ANGLE 角度	±3°	

THIS DRAWING CONTAINS INFORMATION THAT IS PROPRIETARY TO MOLEX INCORPORATED AND SHOULD NOT BE USED WITHOUT WRITTEN PERMISSION.			SIZE B
EN-02J(097) MXJ-54			

DO NOT SCALE DRAWING