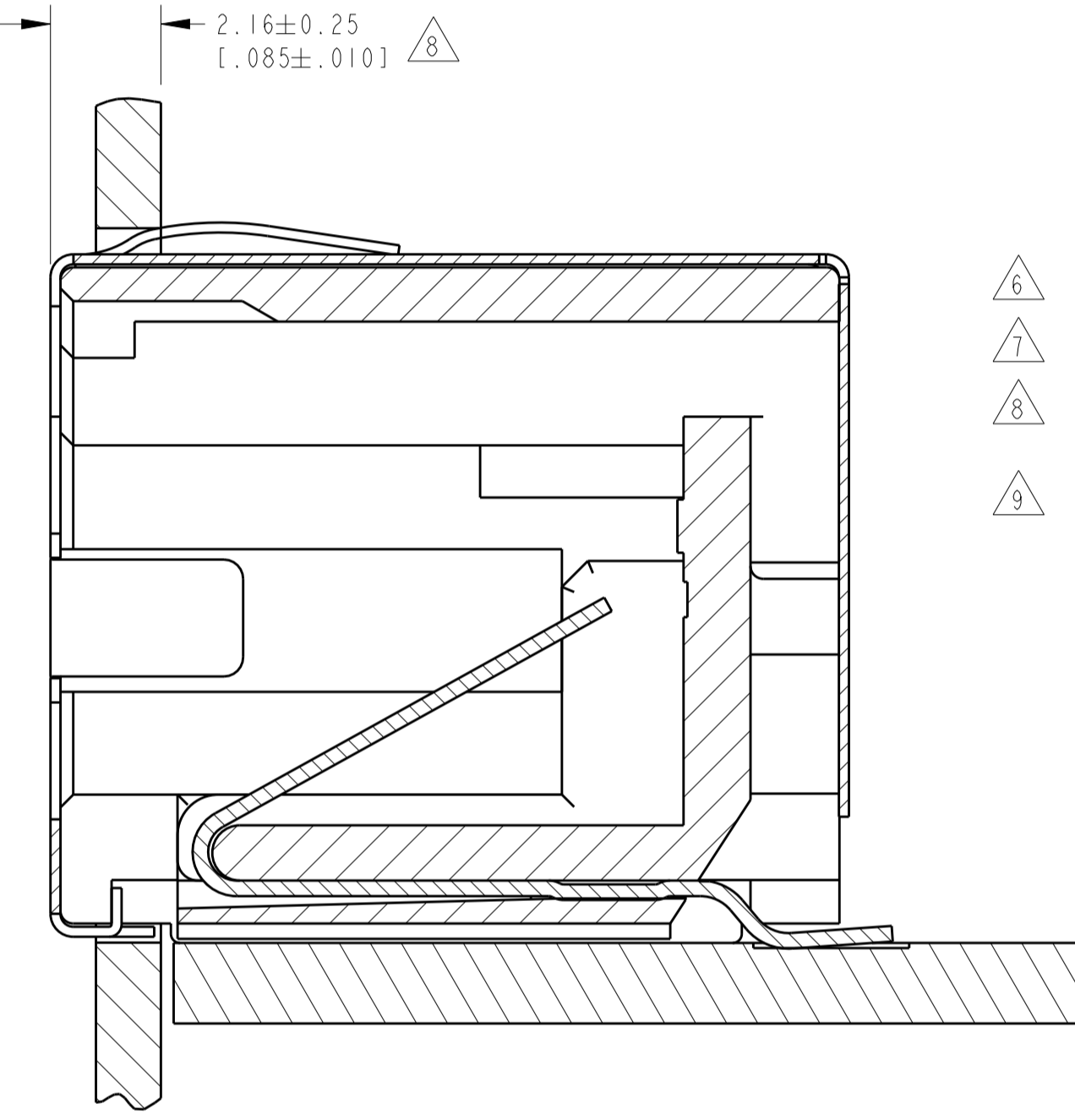
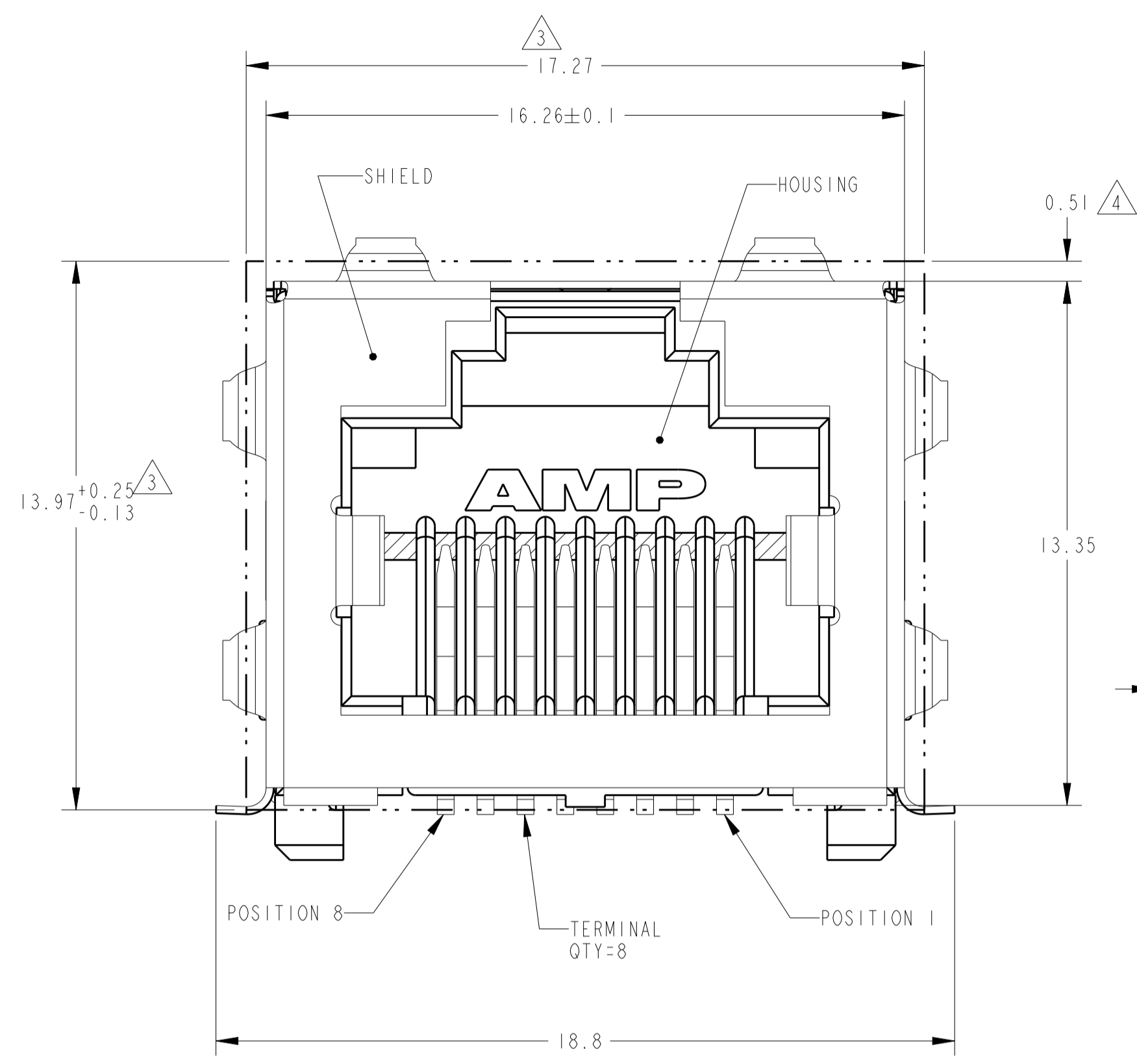
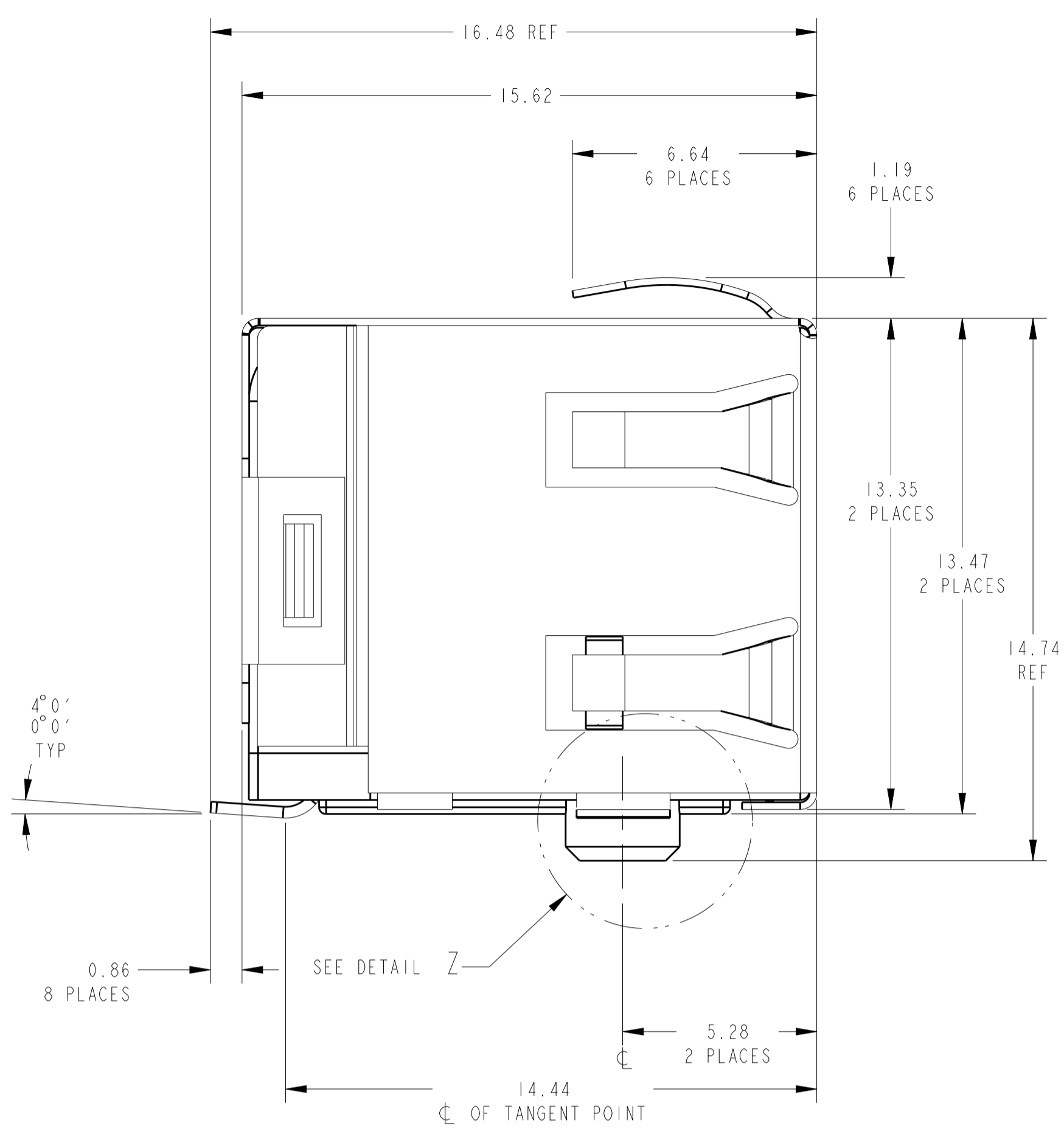
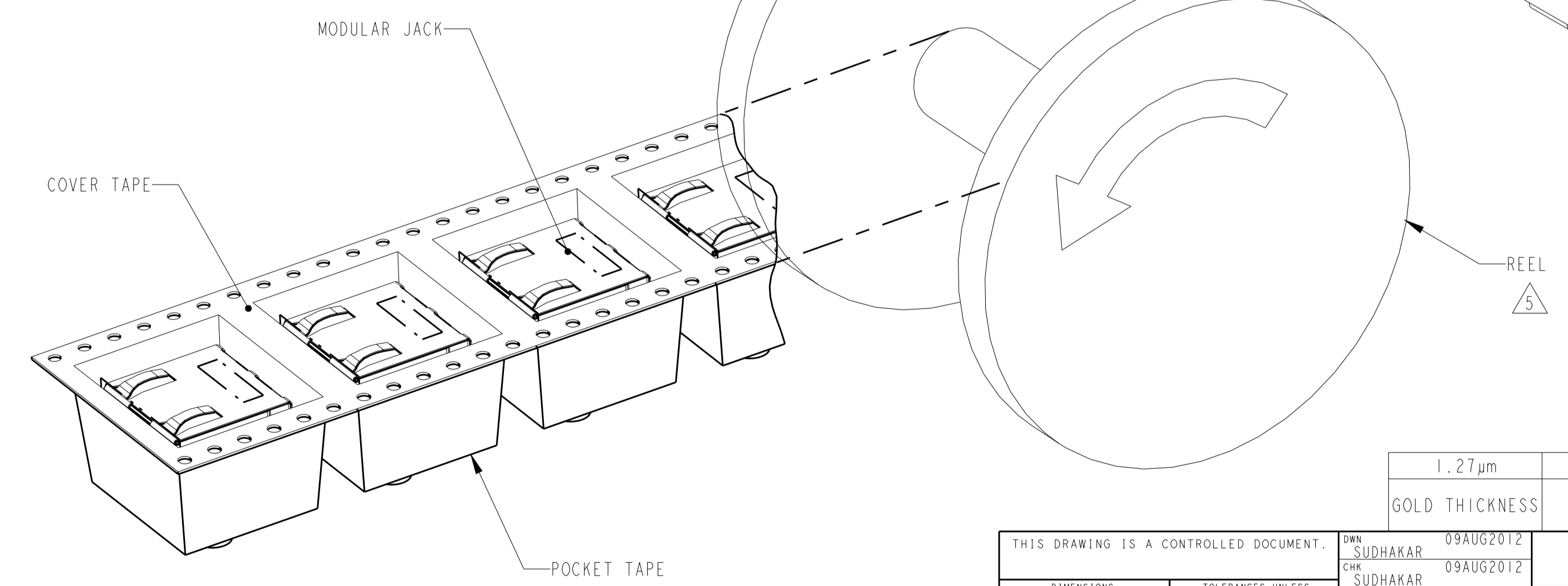
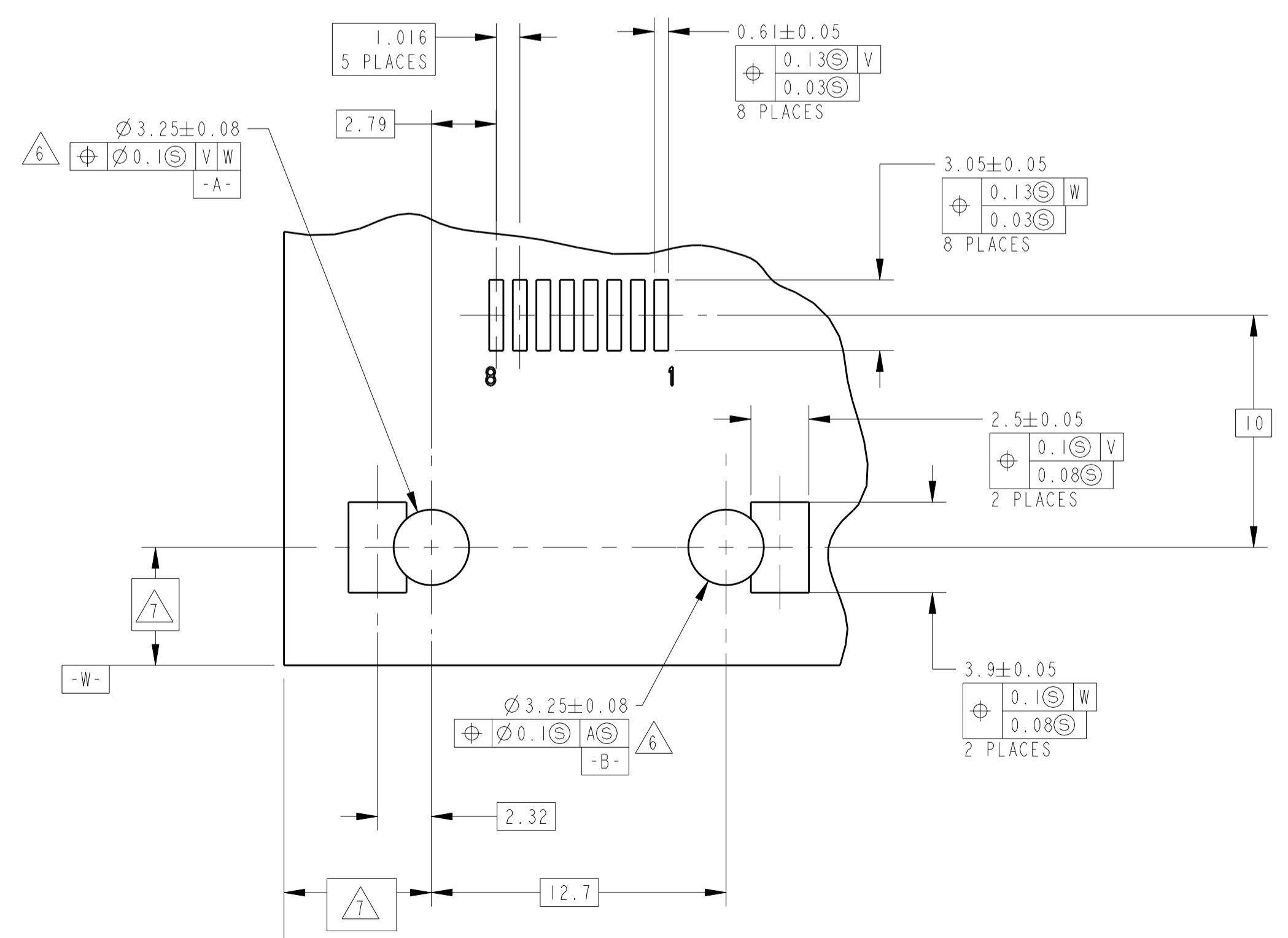
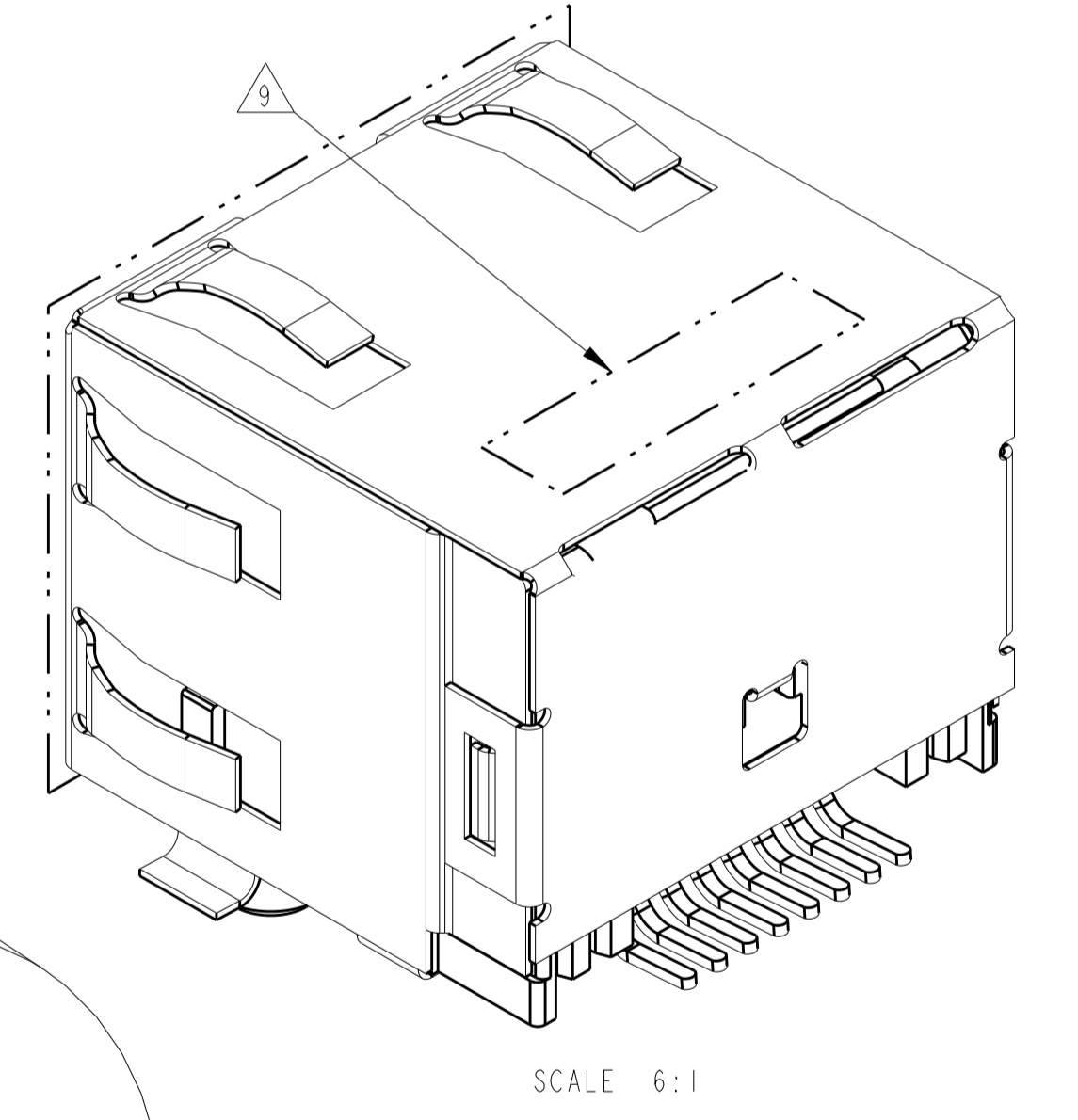
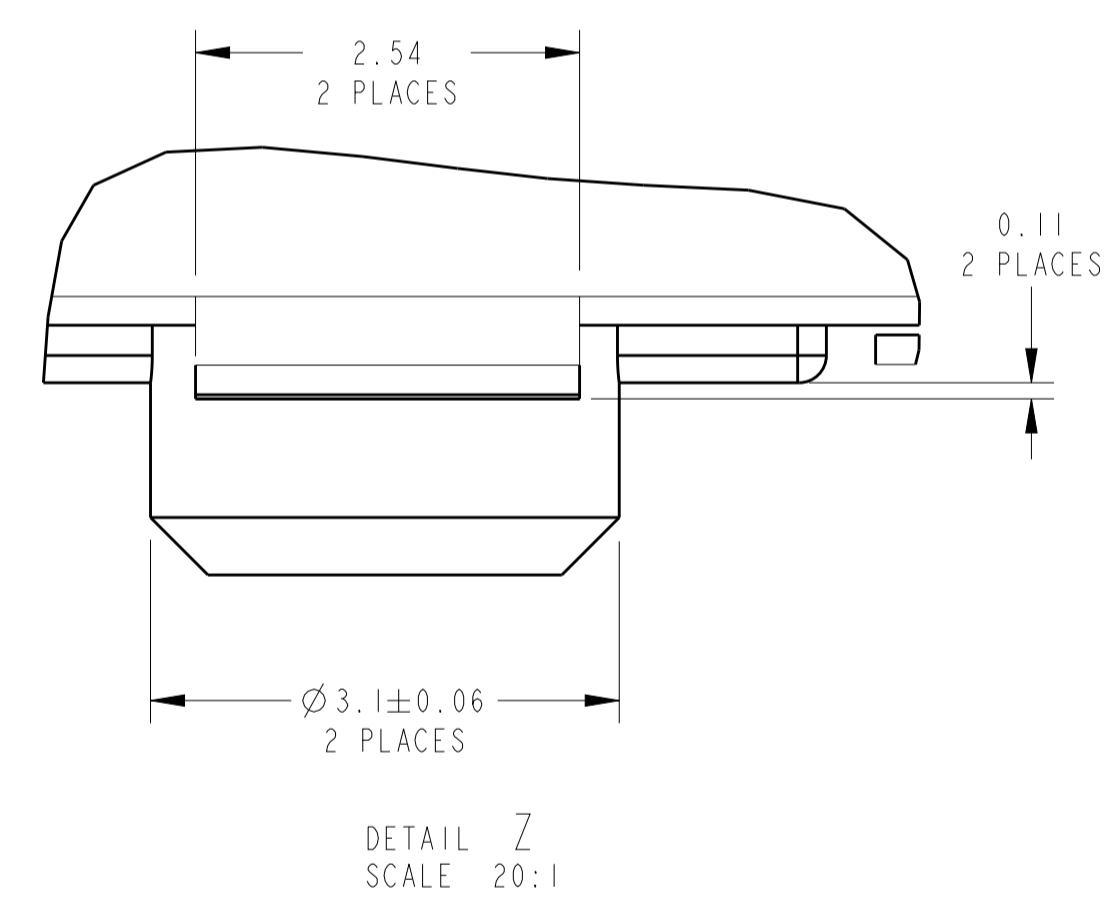


LOC	DIST	REV	DESCRIPTION	DATE	OWN	APP'D
IR	-	A	INITIAL RELEASE	09AUG2012	SS	RRP



- MATERIAL:
HOUSING - HIGH TEMP. THERMOPLASTIC - LCP. COLOR: SEE TABLE, UL94V-0.
TERMINALS - 0.30 THICK PHOS BRONZE PLATED WITH 2.03µm MIN THICK MATTE TIN IN SOLDER AREA.
GOLD (SEE TABLE) IN LOCALIZED PLATE AREA OVER 1.27µm MIN THICK NICKEL
SHIELD - (SEE TABLE) 0.196 THK BRASS PREPLATED WITH 2.03µm-3.81µm THICK MATTE TIN OVER 0.76µm-2.03µm NICKEL UNDERPLATE, OR 0.76-2.03µm NICKEL WITH SELECTIVE TIN PLATED SOLDER TABS
 - JACK CAVITY CONFORMS TO FCC RULES AND REGULATIONS PART 68, SUBPART F.
- ③ SUGGESTED PANEL OPENING DIMENSIONS. SEE APPLICATION SPEC. 114-2154 FOR PANEL THICKNESS AND POSITION RECOMMENDATIONS
 ④ SUGGESTED CLEARANCE BETWEEN TOP OF CONNECTOR AND TOP PANEL OPENING
 ⑤ PACKAGED: POCKET TAPE & REEL (PER EIA 481 SPECIFICATIONS)
 POCKET TAPE WIDTH - 44mm
 POCKET PITCH - 24mm
 POCKET DEPTH - 16.7mm
 CLEAR COVER TAPE, PSA
 CLEAR COVER TAPE TRAILER - 1220mm, WRAPPED ON REEL HUB
 PLASTIC REEL - 381mm DIAMETER
 PRODUCT QUANTITY - 200 PIECES PER REEL
- ⑥ ZERO INSERTION FORCE POST WITH RECOMMENDED PCB LAYOUT
 ⑦ DATUM ESTABLISHED BY CUSTOMER.
 ⑧ CONNECTOR SHOULD BE POSITIONED THRU PANEL CUTOUT AS SHOWN TO SUPPORT TOP OF MODULAR JACK FOR STRAIN RELIEF.
 ⑨ MANUFACTURING DATE CODE LOCATED APPROXIMATELY AS SHOWN. FIRST 2 DIGITS ARE YEAR, SECOND 2 DIGITS ARE WORK WEEK, LAST DIGIT IS THE DAY OF THE WEEK



1.27µm	MATTE TIN	BLACK	2178415-1
GOLD THICKNESS	SHIELD PLATING	HOUSING COLOR	PART NUMBER

THIS DRAWING IS A CONTROLLED DOCUMENT.		OWN: SUDHAKAR 09AUG2012	TE Connectivity	
DIMENSIONS: mm		CHK: SUDHAKAR 09AUG2012	NAME: INVERTED MOD JACK ASSEMBLY, 1X1, SHIELDED SURFACE MOUNT, 8 POSITION RJ45	
TOLERANCES UNLESS OTHERWISE SPECIFIED:		APP'D: RAJENDRA 09AUG2012	PRODUCT SPEC: 108-1163-7	
0 PLC ±		APPROVAL: 114-6040/114-2154	APPLICATION SPEC: 114-6040/114-2154	
1 PLC ±0.25		WEIGHT: -	SIZE: A1	
2 PLC ±		FINISH: SEE NOTE 1	CAGE CODE: 00779	
3 PLC ±		DRAWING NO: 2178415		
4 PLC ±		RESTRICTED TO: Customer Drawing		
ANGLES ±		SCALE: 8:1 SHEET 1 OF 1 REV A		