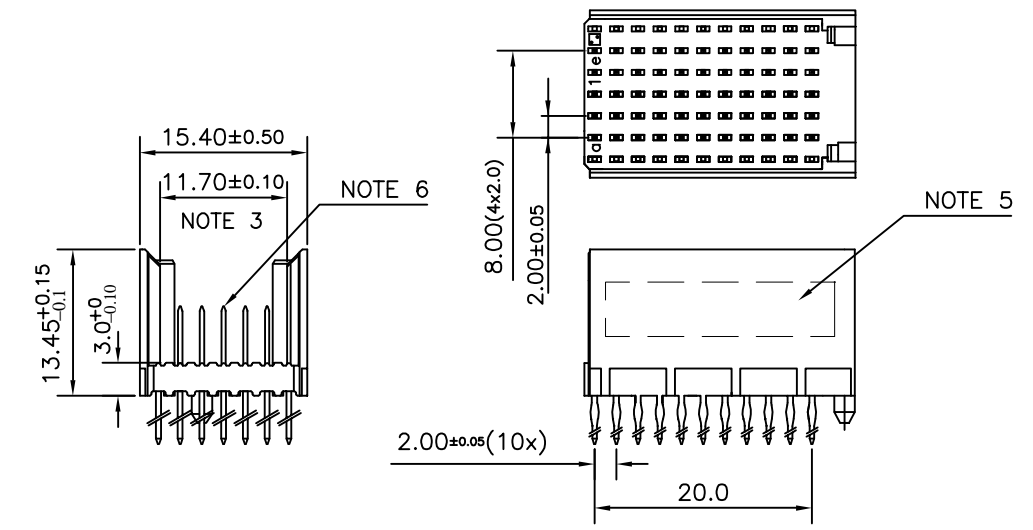


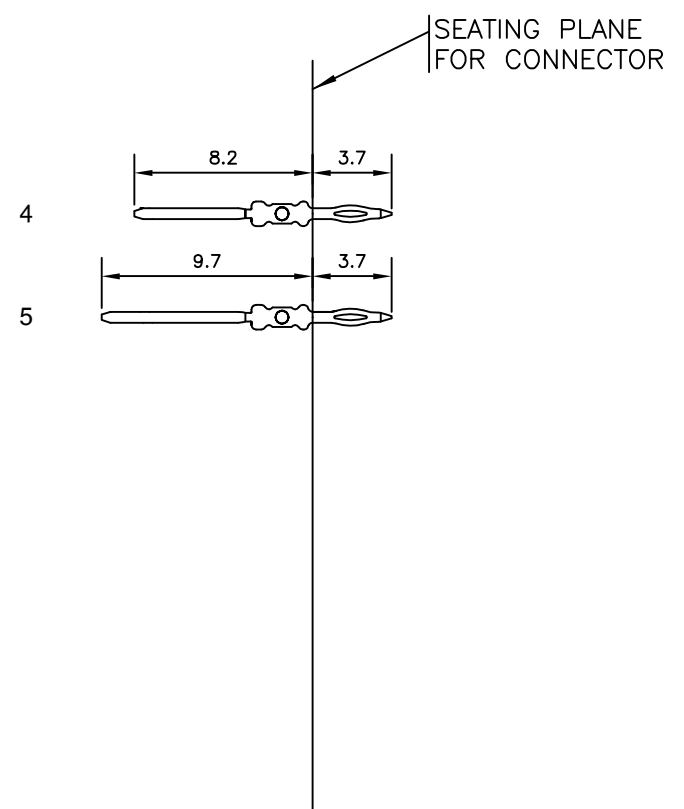
LOADING PATTERN MATING SIDE

f	0	0	0	0	0	0	0	0	0	0
e	4	4	4	4	4	4	4	4	4	4
d	4	4	4	4	4	4	4	4	4	4
c	4	4	4	4	4	4	5	4	4	4
b	4	4	4	4	4	4	4	4	4	4
a	4	4	4	4	4	4	4	4	4	4
z	0	0	0	0	0	0	0	0	0	0
POS	01	05	10							

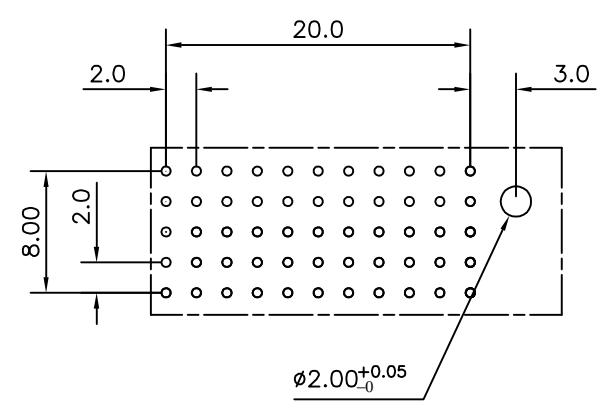
LOADED CONNECTOR ASSEMBLY (FOR EXAMPLE)



CONTACT OVERVIEW



LAY-OUT P.C.B.-HOLE



HM2P09PDH3T0 **LEAD FREE INDICATOR : LF = LEAD FREE (DIGIT 15 & 16)**
PLATING CODE (DIGIT 13 AND 14)
 (REF DRW NO. BS,C , 201844 , 003)

NOTES

- THIS PRODUCT IS CSA APPROVED.
- THIS PRODUCT IS UL RECOGNIZED.
- MEASURED AT THE BOTTOM.
- MATERIAL CONTACT: PHOSPHORBRONZE
HOUSING: CREAM WHITE GLASS FILLED POLYESTER UL-94V0
- CONNECTOR PRINTED WITH P/N AND DATE CODE.
- FOR ACTUAL CONTACT LOADINGS, SEE LOADING PATTERN MATING SIDE.
- SHAPE OF CONNECTOR HOUSING CAN ALTER DEPENDING ON PRODUCTION LOCATION
- THIS PRODUCT (LF) MEETS EUROPEAN UNION DIRECTIVES AND OTHER COUNTRY REGULATIONS AS DESCRIBED IN GS-22-008
- FOR RECOMMENDED PTH DIMENSIONS REFER DRAWING : BS, A , 201572 , 001

CATALOG NO: HM2P09PDH3T0----

mat'l. code	surface	tolerance	projection	product family
SEE NOTE - 4	ISO 1302 ✓	ISO 406 ISO 1101		MILLIPACS
ltr	ecn no	dr	date	title
A	106-0046	MINI	17/04/2006	MILLIPACS 5+2R STR HDR CONN TYPE C
		angles	linear	mm
		0°±1°	.00±0.1	scale 1:1
			.000±.00x	
	dr	MINI K VANDANATH	17/04/2006	dwg no
	enr	BIJU K PAUL	17/04/2006	sheet 1 of 1
	chr	BIJU K PAUL	17/04/2006	size
	appd	SOMASUNDARAM	17/04/2006	BS, C ,203028, 700
sheet index	revision sheet			A3
				type Product Customer Drawing



Copyright FCI