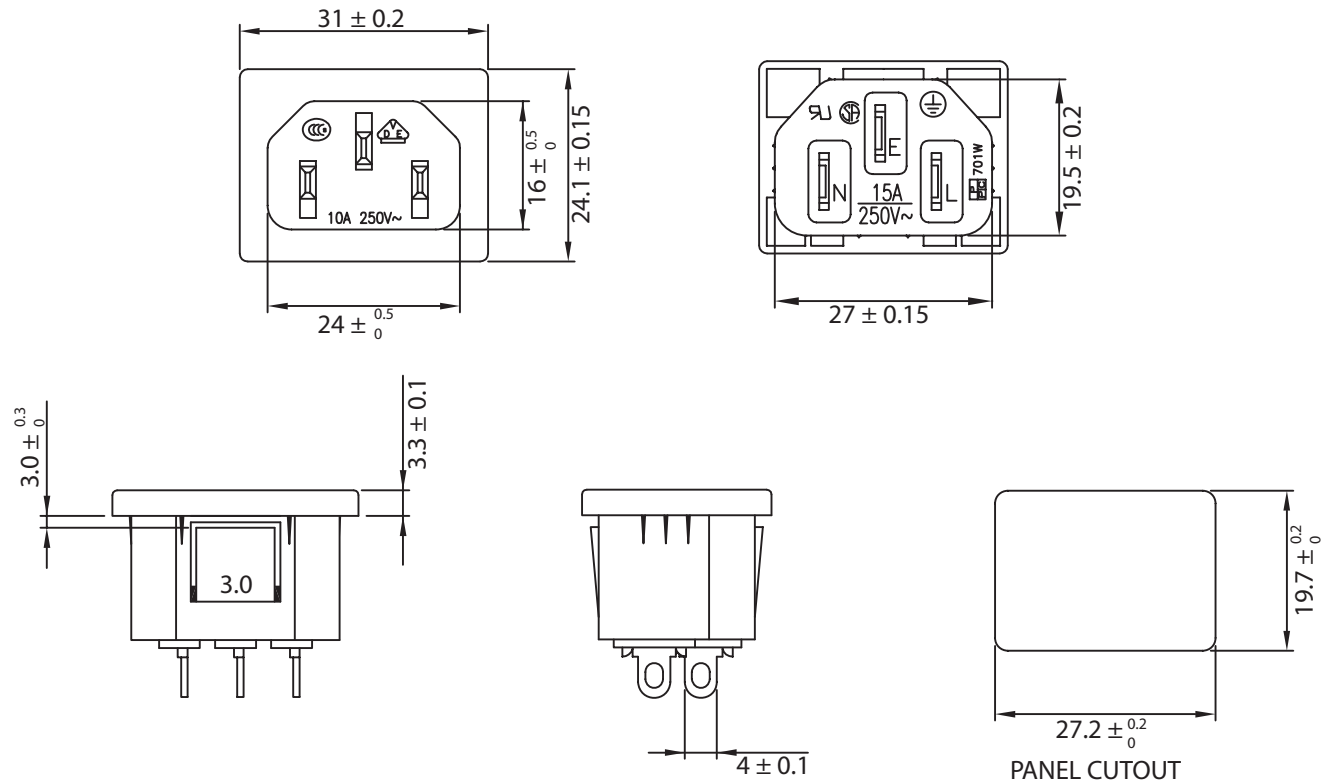


THESE DRAWINGS ARE THE PROPERTY OF QUALTEK ELECTRONICS AND NOT TO BE REPRODUCED FOR OR COMMUNICATED TO A THIRD PARTY WITHOUT THE EXPRESS WRITTEN PERMISSION OF AN OFFICER OF QUALTEK ELECTRONICS.

REVISION			
REV.	DESCRIPTION	DATE	APPROVED



NOTES:

RATING:

UL, CSA: 15A 250V AC

VDE, CCC: 10A 250V AC

APPROVALS: UL, CSA, VDE, CCC

PANEL THICKNESS: 3.0mm

RoHS COMPLIANT

**CONTROLLED**

Dim range (mm)		Tolerance +/- (mm)	Qualtek Electronics Corp. PPC DIVISION		
0-1		0.15	Part Number: <b>701W-30/24</b>		<b>RoHS Compliant</b>
1-6		0.20	Description: <b>AC RECEPTACLE</b>		
6-18		0.30	UNIT: mm		
18-50		0.50			
50-120		0.70	Drawn / Date	Checked / Date	Approved / Date
120-250		0.90	R.Nuti 03-19-09	03-19-09	LY / 03-19-09
250-500		1.20			