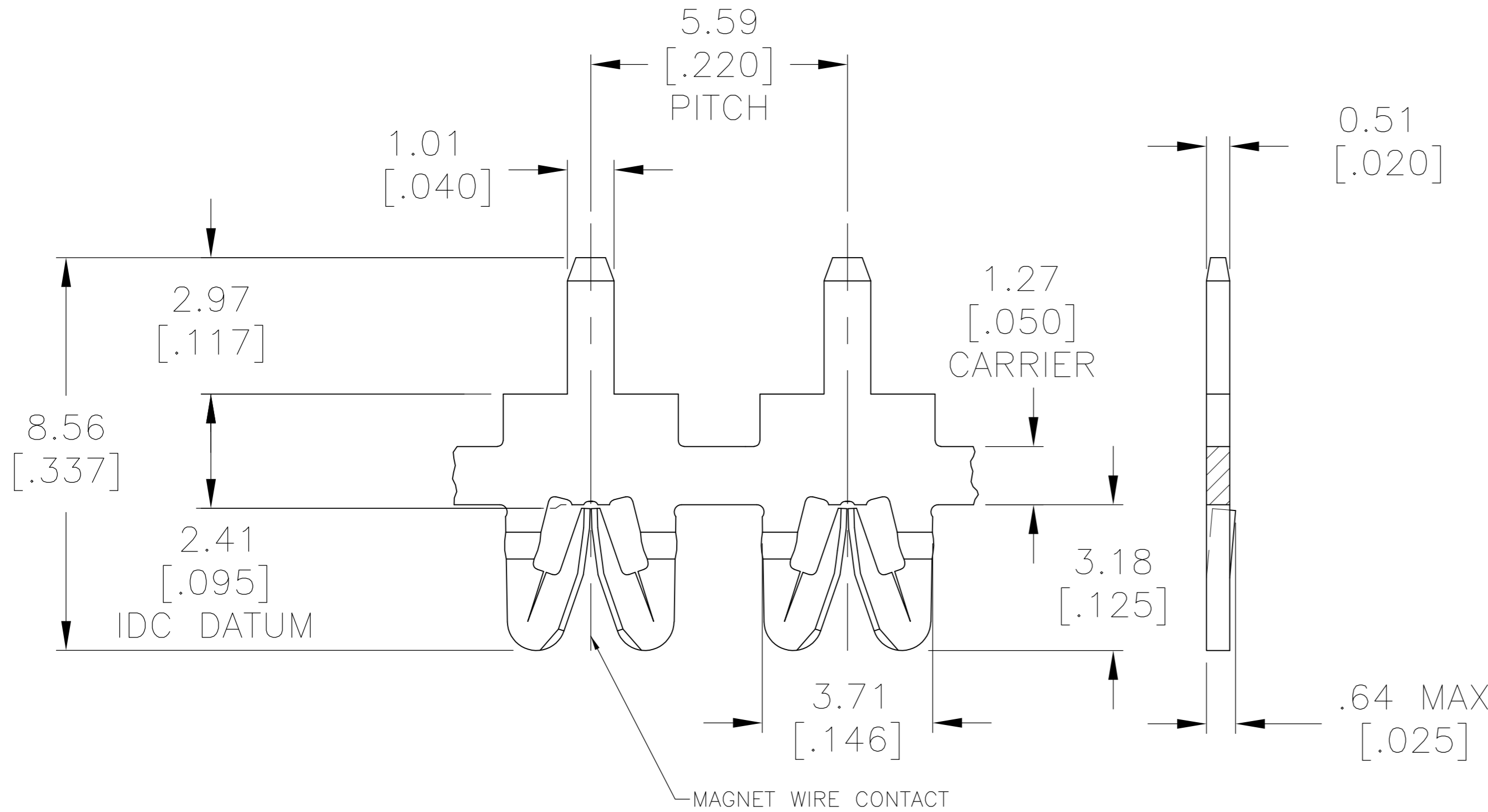
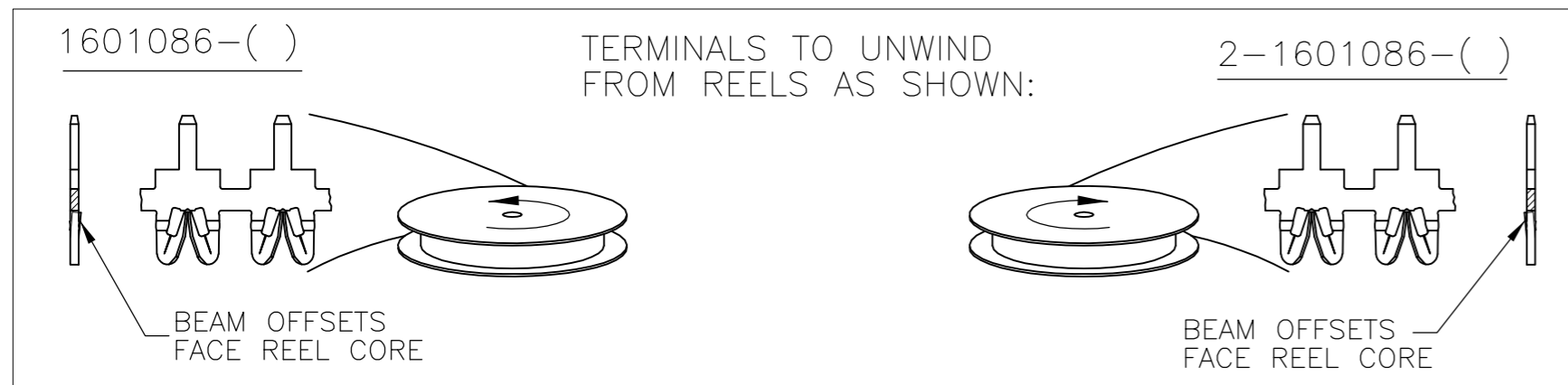
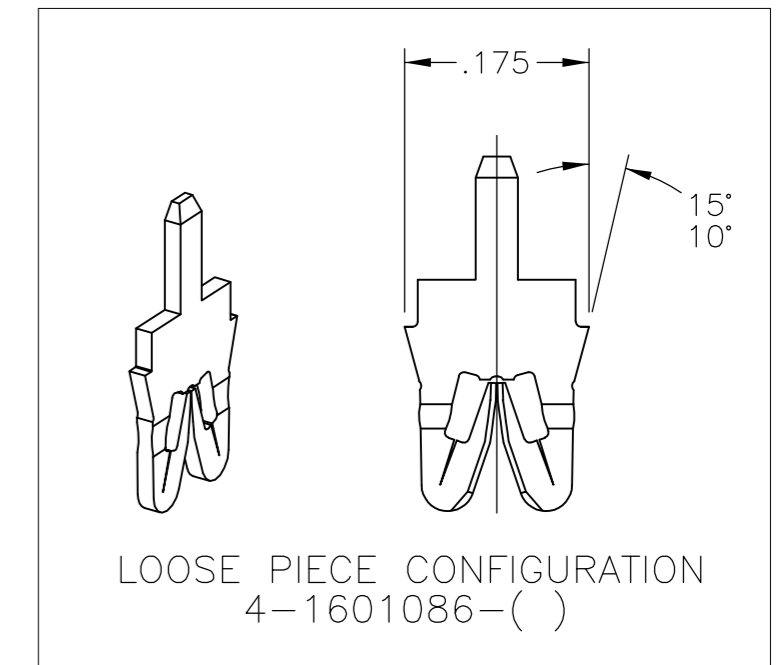


THIS DRAWING IS UNPUBLISHED. RELEASED FOR PUBLICATION
 © COPYRIGHT BY TYCO ELECTRONICS CORPORATION. ALL RIGHTS RESERVED.

LOC	DIST	REVISIONS					
AF	50	P	LTR	DESCRIPTION	DATE	DWN	APVD
		F2		REVISED PER ECR-08-005455	06MAR08	HMR	GJ
		F3		REVISED PER ECO-09-024606	28OCT09	KK	AEG



- 1 SPECIFICATIONS:
MAGNET WIRE #18 - #34 AWG,
1.02MM(.040")-0.16MM(.006") DIA COPPER.
- 2 POCKET RECOMMENDATION: #1601424
- 3 TERMINAL APPLICATION TO COMPLY WITH TYCO
ELECTRONICS SPECIFICATION 114-13166 FIGURE 5
- 4 POST TIN PLATE .000120-.000200 THK
OVER .000050 MIN THK NICKEL
- 5 OBSOLETE PARTS: OBSOLETE CIS STREAMLINING PER D.RENAUD/D.SINISI



	TIN OVER NICKEL 4	-	4-1601086-3
	TIN OVER NICKEL 4	-	1601086-3
OBSOLETE	Unplated	131-158-000	2-1601086-1
SUPERSEDED BY 1601086-3	Post Tin Lead Plate over Copper Underplate	131-157-024	1601086-2
OBSOLETE	Unplated	131-157-000	1601086-1
FINISH		REFERENCE PART NUMBER	PART NUMBER
THIS DRAWING IS A CONTROLLED DOCUMENT.		DWN J.WELLER 11JAN2002	Tyco Electronics Corporation Harrisburg, PA 17105-3608
DIMENSIONS: mm [INCHES]		CHK M.FEHER 11JAN2002	
TOLERANCES UNLESS OTHERWISE SPECIFIED:		APVD K.RANDOLPH 11JAN2002	
0 PLC ± -	1 PLC ± 0.25 [.010]	PRODUCT SPEC 108-2085	NAME STANDARD RANGE WIRE TO .117 P.C. BOARD SIAMEZE TERMINAL
2 PLC ± 0.13 [.005]	3 PLC ± -	APPLICATION SPEC 3	SIZE A2 CAGE CODE 00779 DRAWING NO C=1601086 RESTRICTED TO -
4 PLC ± -	ANGLES ± 2°	WEIGHT -	SCALE 11:1 SHEET 1 OF 1 REV F3
MATERIAL BRASS, SPRING HARD	FINISH SEE TABLE	CUSTOMER DRAWING	