

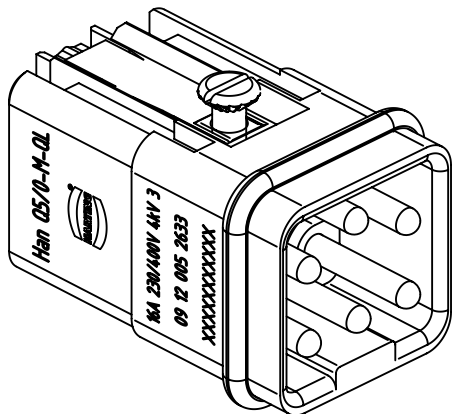
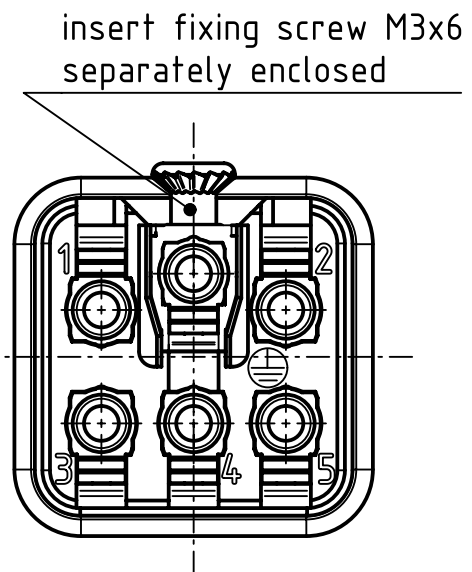
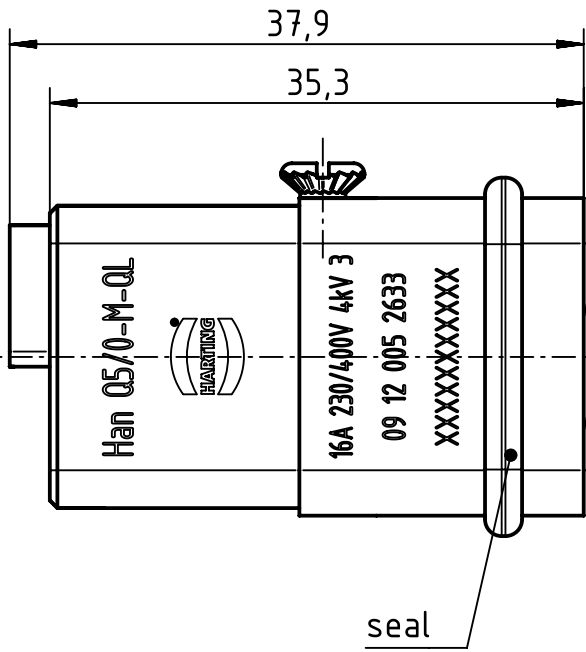
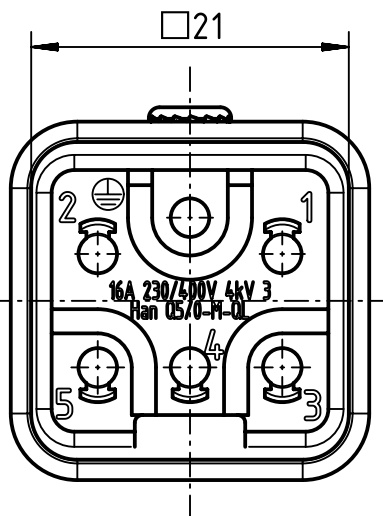
1 2 3 4 5 6

A

B

C

D



Coating	A=	mm ²	V=	mm ³	m=	g	Mat.
	All Dimensions in mm Original Size DIN A4		Scale 2:1	Free size tol.			Ref. Sub. TB 09 12 005 2633 vom 10.06.09
	All rights reserved Department EL PD - DE	Created by RULLKOETTER	Inspected by BERGHORN	Standardisation TIEMANNA	Date 2016-07-21	State Final Release	
HARTING Electric GmbH & Co. KG D-32339 Espelkamp		Title Han Q5/0-M-QL			Doc-Key / ECM-Nr. 100132564/UGD/006/B 500000106768		
		Type TB	Number 09 12 005 2633			Rev. B	Page 1/1