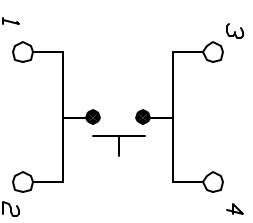
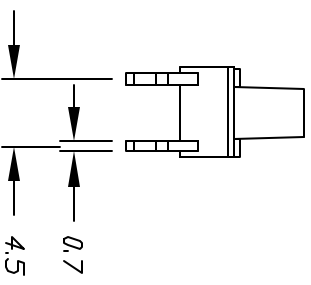
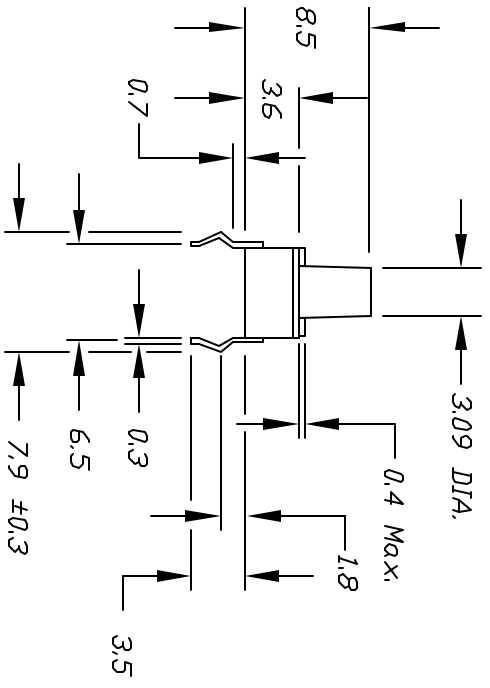


RECOMMEND P.C.B. HOLES



CIRCUIT, SPST  
CONTACT CONFIGURATION

NOTES:

1. ALL DIMENSIONS IN MM
2. TERM. NOS. FOR REF ONLY
3. RATING: DC 12DC, 50mA
4. TRAVEL: 0.25±0.1mm
5. CONTACT RESISTANCE: 100m Ohms Max.
6. LIFE: 100,000 CYLES min.
7. INSULATION RESISTANCE: 100M Ohms min.
8. DIELECTRIC STRENGTH: 250V RMS min.

A		RELEASED FOR PRODUCTION	DATE	CHKD	TOLERANCES		TITLE	SCALE	DATE	DR	DWG	REV
REV.		DESCRIPTION			0.0	±0.4	TL 1105 P F250 Q	2:1	4/10/97	MM	P010020	A
<p>THE INFORMATION CONTAINED IN THIS DOCUMENT IS PROPRIETARY TO E-SWITCH AND IS NOT TO BE COPIED OR TRANSMITTED</p>												

