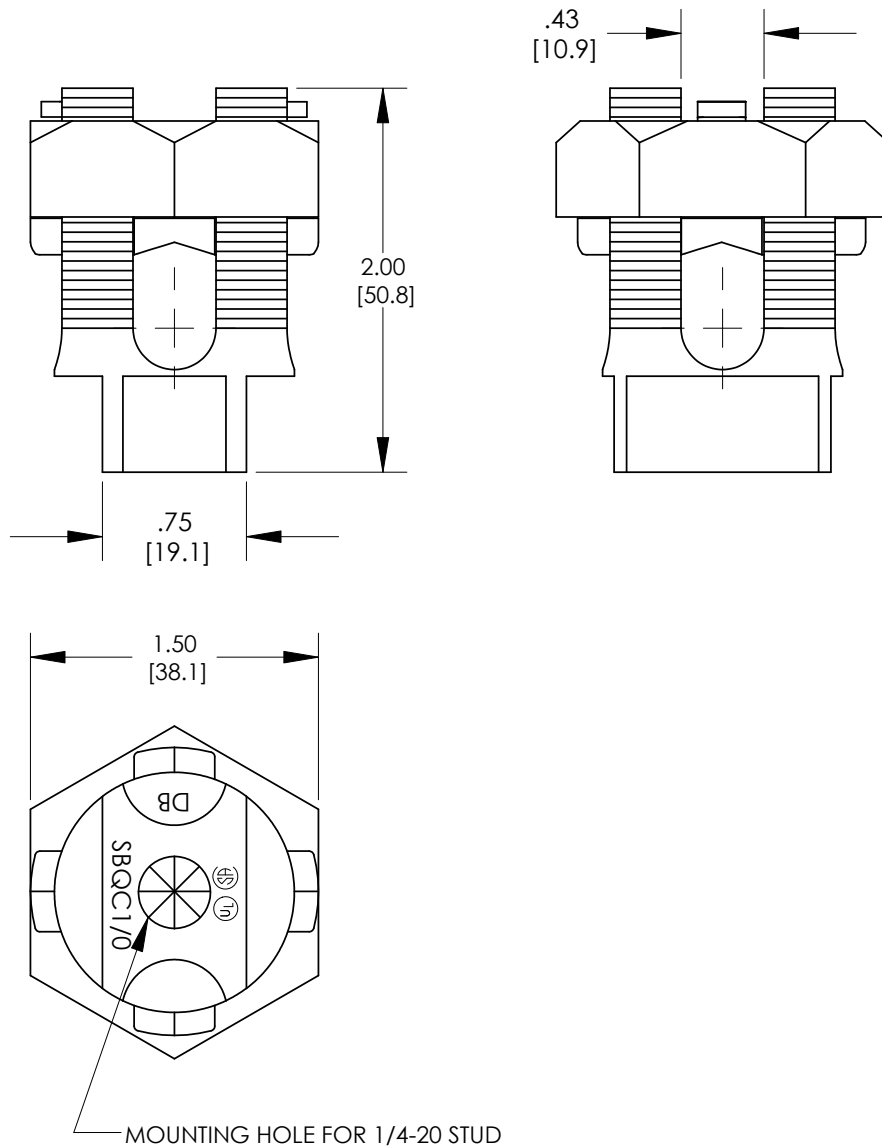
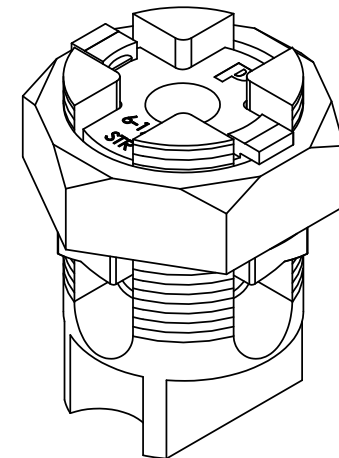


THIS COPY IS PROVIDED ON A RESTRICTED BASIS AND IS NOT TO BE USED IN ANY WAY DETRIMENTAL TO THE INTERESTS OF PANDUIT CORP.



NOTES:

1. DIMENSION IN PARENTHESIS ARE MILLIMETERS
2. WIRE RANGE: #6 AWG SOLID TO 1/0 STRANDED (16 TO 50 mm)
3. TIGHTENING TORQUE: #6 - #4 AWG = 165 lbf-in
#3 - #1 AWG = 275 lbf-in
1/0 AWG = 385 lbf-in
4. INSTALLATION TOOL: 1-1/2" HEX WRENCH FOR HEX NUT
3/4" HEX WRENCH FOR BODY
5. MATERIAL: HIGH CONDUCTIVITY BRONZE ALLOY
6. CLAMP IS UL LISTED AND CSA CERTIFIED AND SUITABLE FOR USE IN DIRECT BURIAL APPLICATIONS



10N016AC-NC/00A

00	4/10	JHNU	RGB	DRAWING RELEASED	10N016AC-NC	FLD
REV	DATE	BY	CHK	DESCRIPTION	ECN	APP

PANDUIT CORP. TINLEY PARK, ILLINOIS
 SPLIT BOLT QUAD CLAMP
 (SBQC1/0-X)
 CUSTOMER DRAWING

SCALE	N/A	DRAWING NO / CAD FILE	10N016AC-NC
-------	-----	-----------------------	-------------