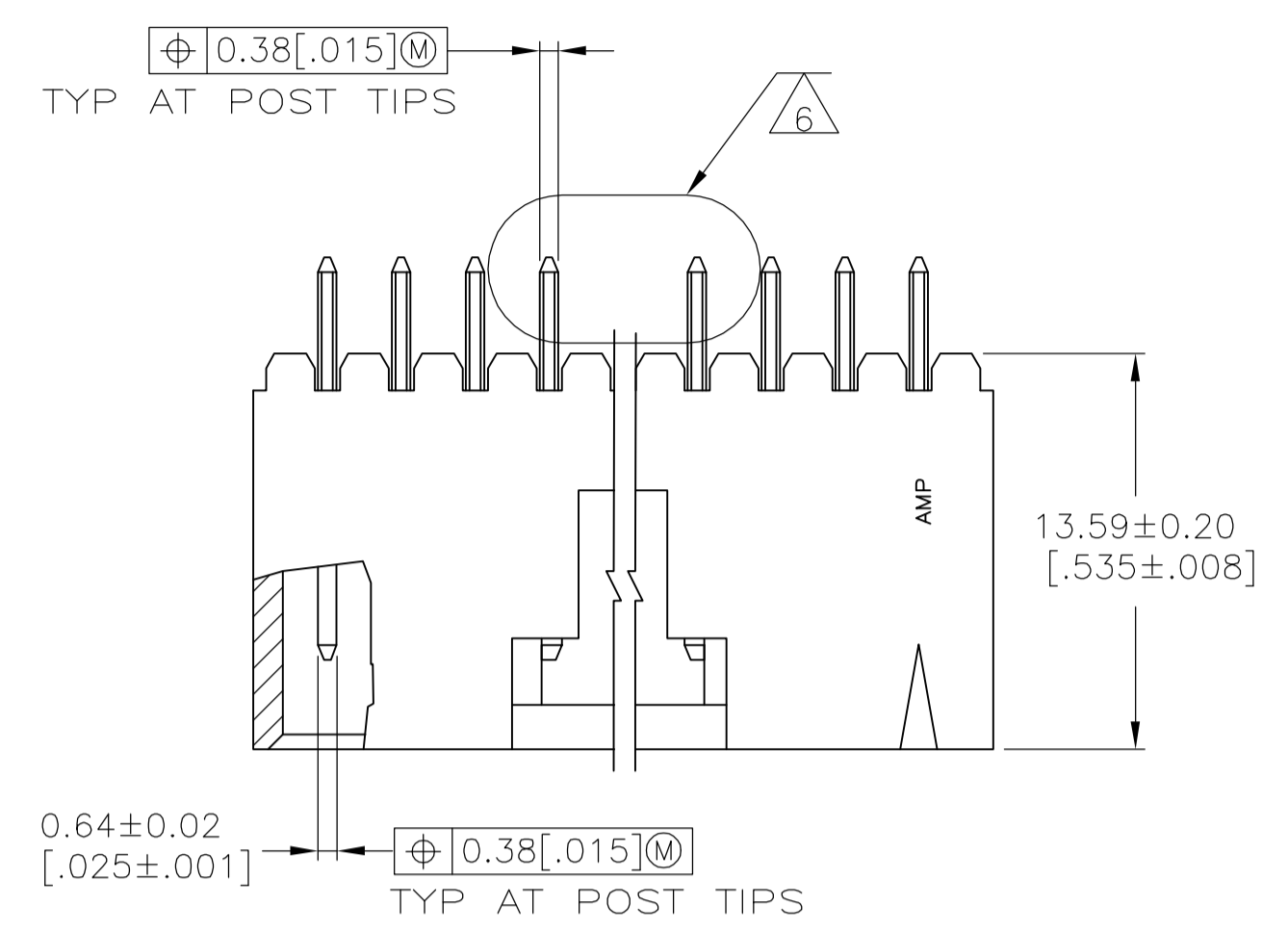
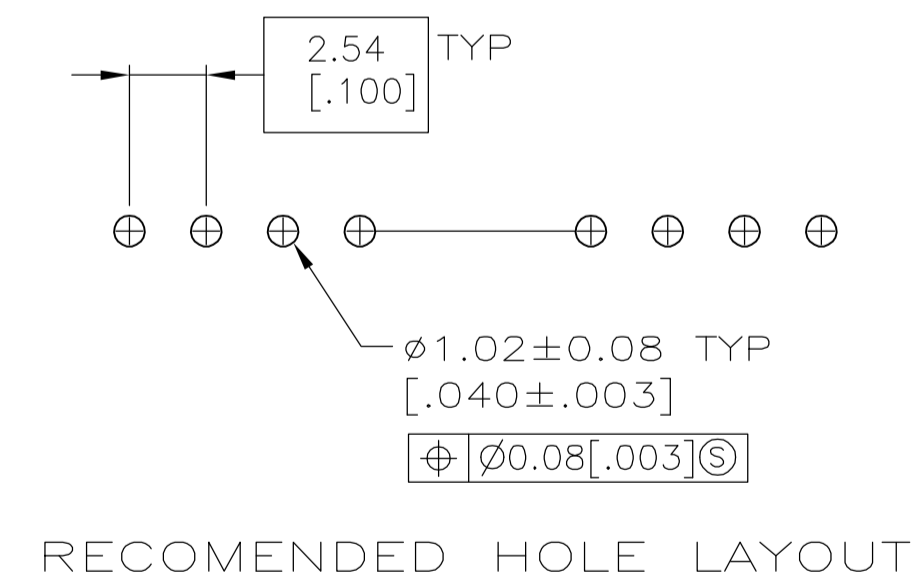
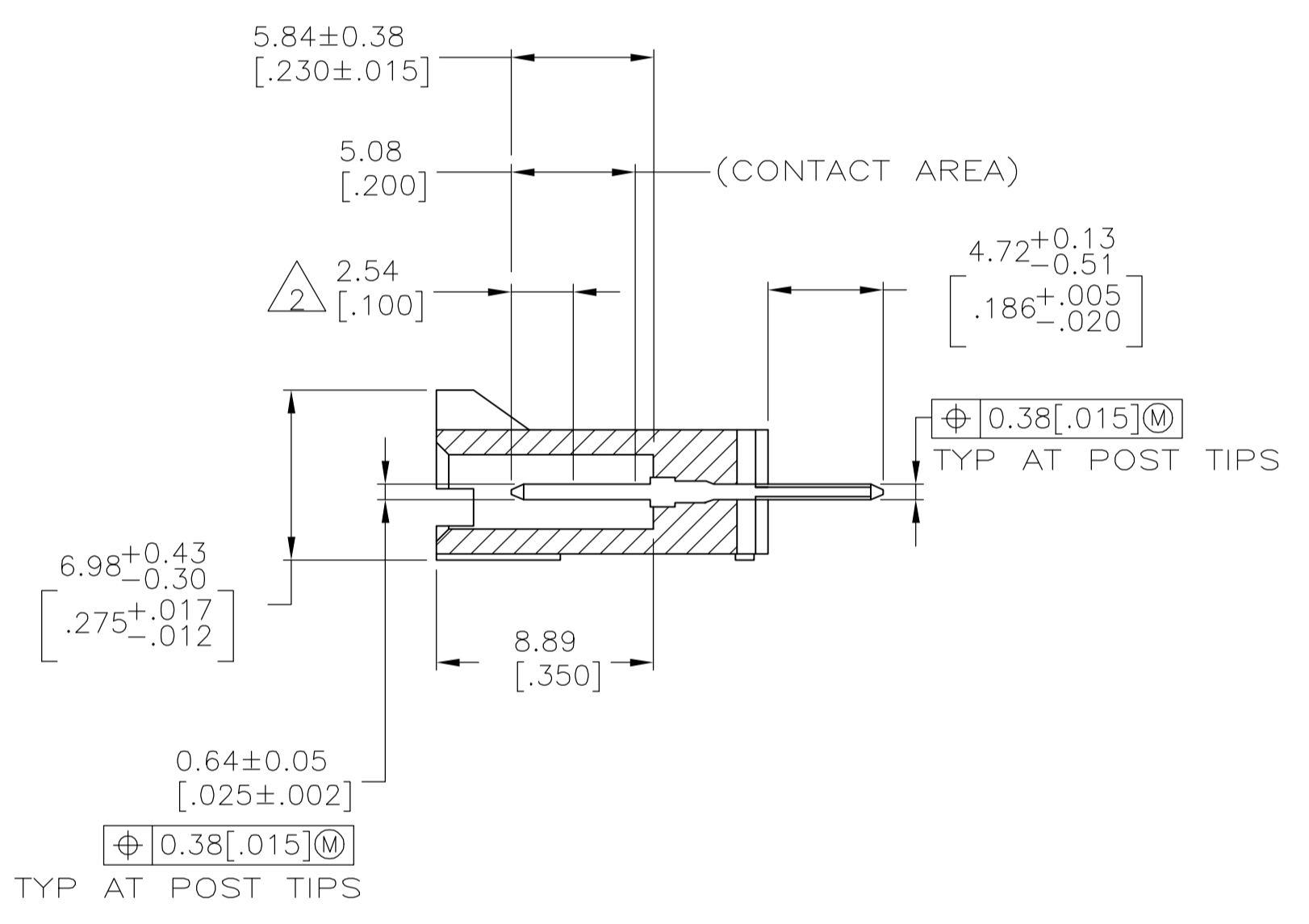
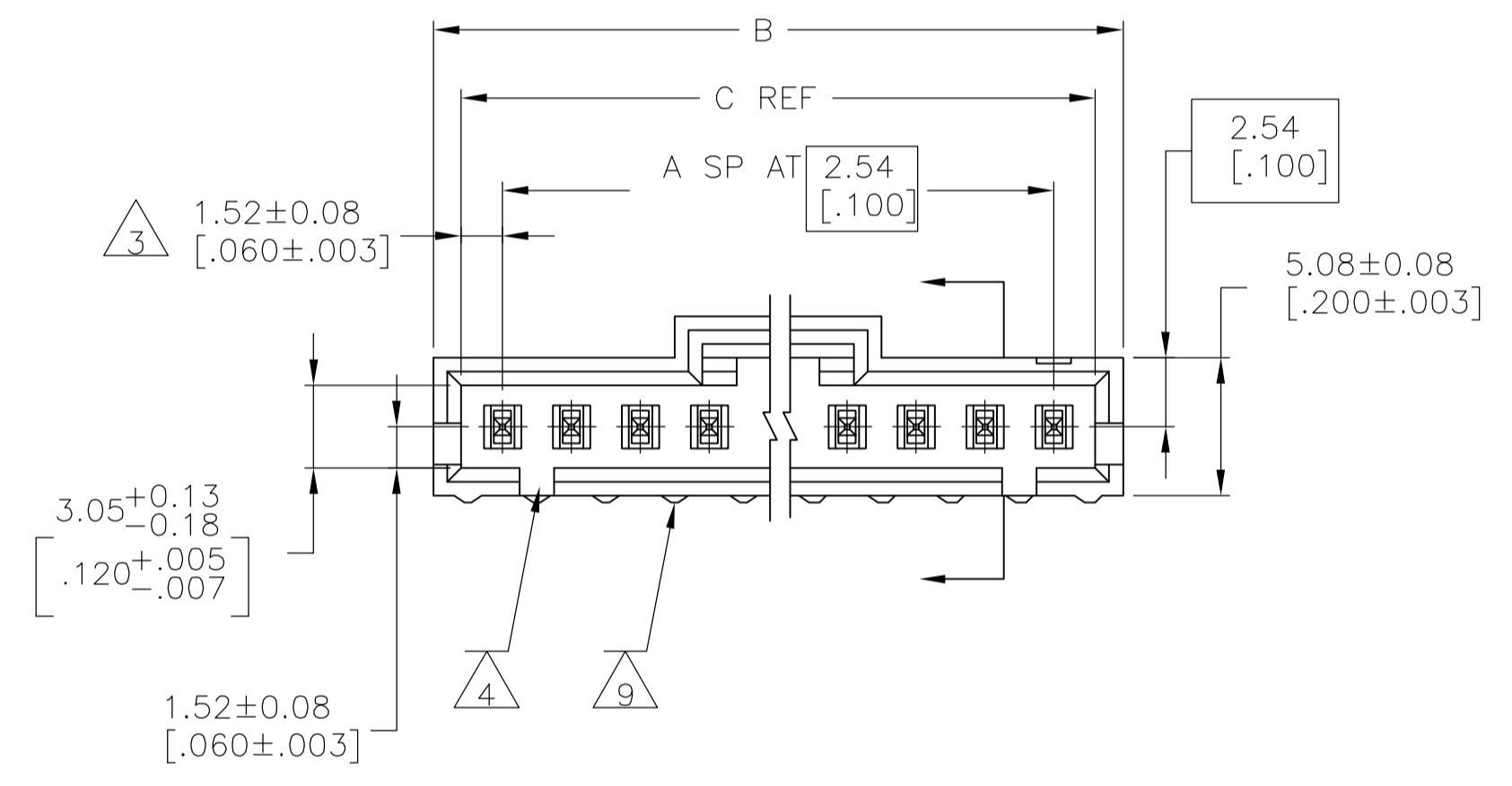


- 1 .00038[.000015] GOLD IN THE CONTACT AREA, .00254[.000100] MATTE TIN-LEAD ON REMAINDER OF CONTACT, ALL OVER .00127[.000050] NICKEL.
- 2 POINT OF MEASUREMENT FOR PLATING THICKNESS.
- 3 THE NOTED DIMENSIONS APPLY AT THE INTERSECTION OF THE POST AND THE HOUSING.
- 4 ON ASSEMBLIES WITH FOUR OR MORE POSITIONS, TWO POLARIZATION SLOTS. ON ASSEMBLIES WITH TWO OR THREE POSITIONS, ONE POLARIZATION SLOT.
- 5 MATERIAL: HOUSING: FLAME RETARDANT THERMOPLASTIC, COLOR - BLACK. CONTACTS: BRASS.
- 6 SELECT POST TAILS FORMED TO PROVIDE CONNECTOR HOLD DOWN UNTIL SOLDERED. CONFIGURATION ACCEPTS 0.69[.027]-2.03[.080] THICK PRINTED CIRCUIT BOARD. (SEE DETAIL Z).
- 7 .00038[.000015] GOLD IN THE CONTACT AREA, .00254[.000100] MATTE TIN ON REMAINDER OF CONTACT, ALL OVER .00127[.000050] NICKEL.
- 8 HIGH TEMPERATURE CONFIGURATION
- 9 STANDOFFS NOT PRESENT ON UNDERSIDE OF ASSEMBLY



DETAIL Z
 POST DETAIL TYP
 2 POST MINIMUM



8	9	7	41.15 [1.620]	43.18 [1.700]	15	16	5-104966-1
		1	41.15 [1.620]	43.18 [1.700]	15	16	104966-1
REMARKS	PLATING	C	B	A	NO. OF POSN	PART NO.	
THIS DRAWING IS A CONTROLLED DOCUMENT.		DWN E. BRANDBERG 16-AUG-96	Tyco Electronics Corporation Harrisburg, Pa 17105-3608				
DIMENSIONS: mm [INCHES]		CHK J. GESFORD 16-AUG-96	APVD J. GESFORD 16-AUG-96		NAME		
TOLERANCES UNLESS OTHERWISE SPECIFIED:		PRODUCT SPEC		HDR ASSY, VERT, SINGLE ROW			
0 PLC ± -		108-25034		2.54[.100]CL, 0.64[.025] SQ POST, WITH PLZN			
1 PLC ± -		APPLICATION SPEC		LATCHING & RETENTIVE POSTS, AMPMODU MTE			
2 PLC ± 0.13[.005]		SIZE		114-25026			
3 PLC ± -		CAGE CODE		A1 00779			
4 PLC ± -		DRAWING NO		104966			
ANGLES ± -		WEIGHT		-			
FINISH		CUSTOMER DRAWING		SCALE 4:1 SHEET 1 OF 1 REV C			
SEE TABLE							