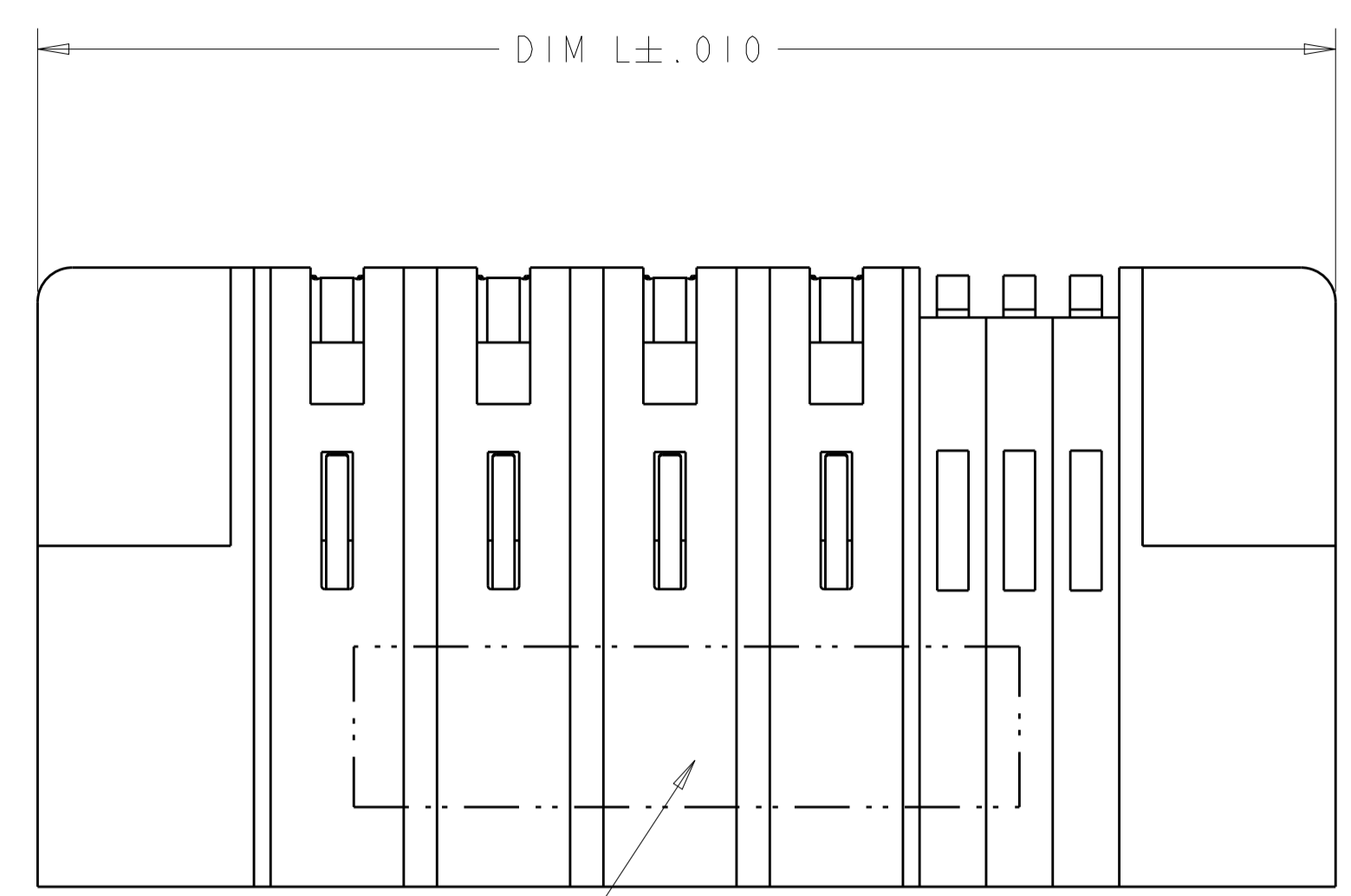
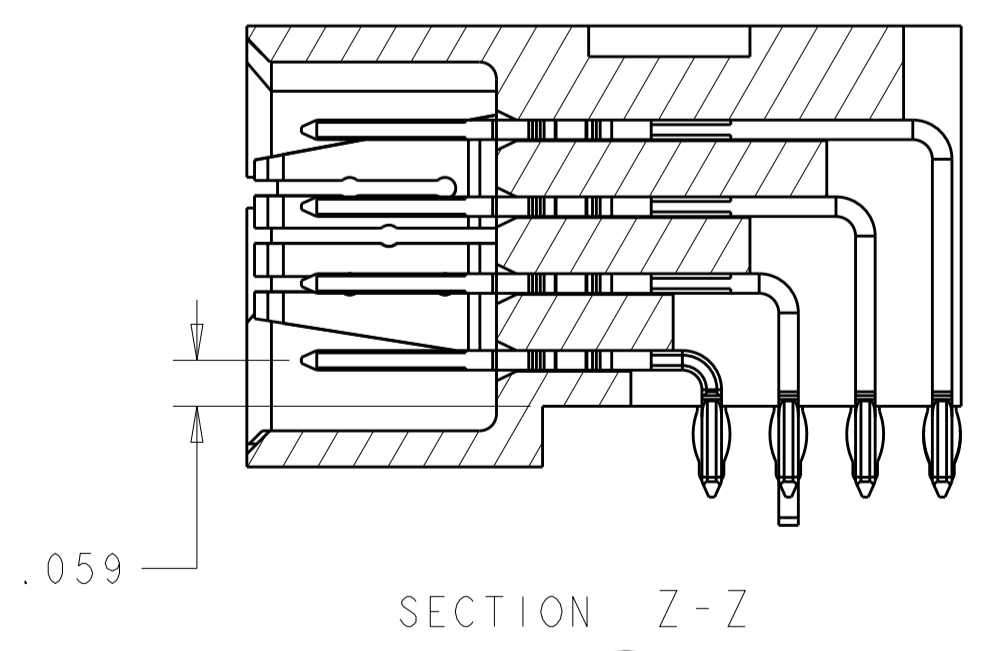
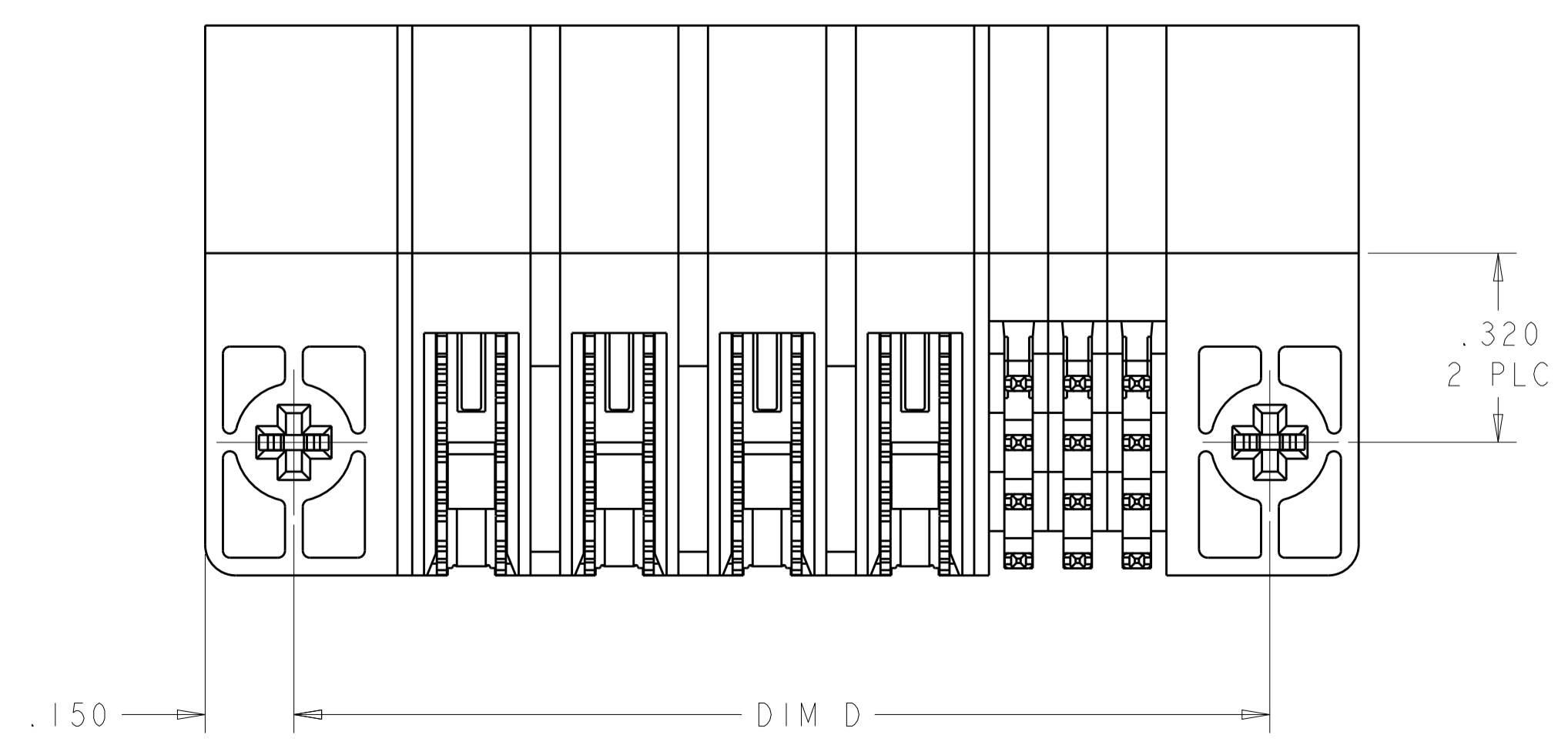
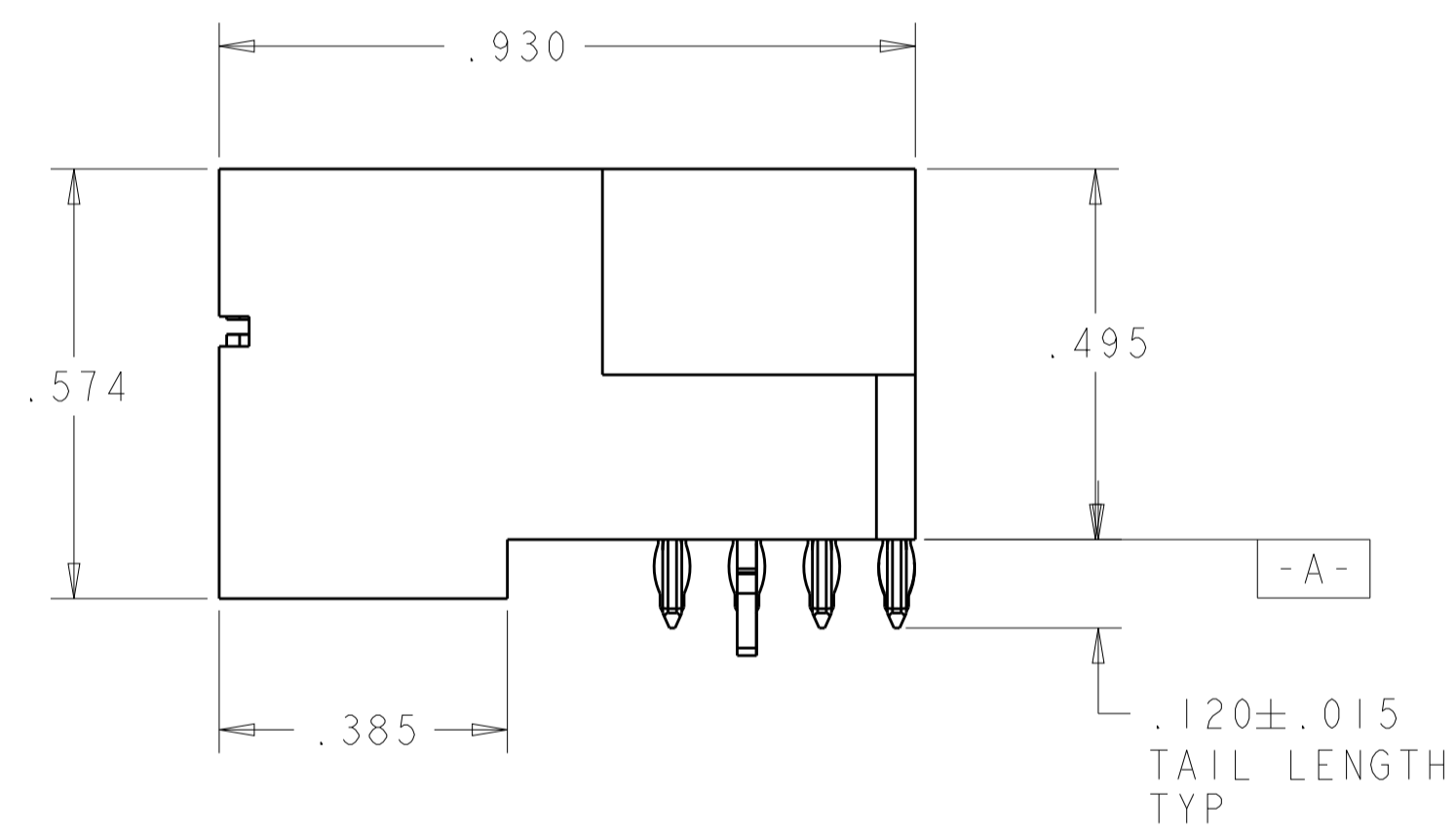
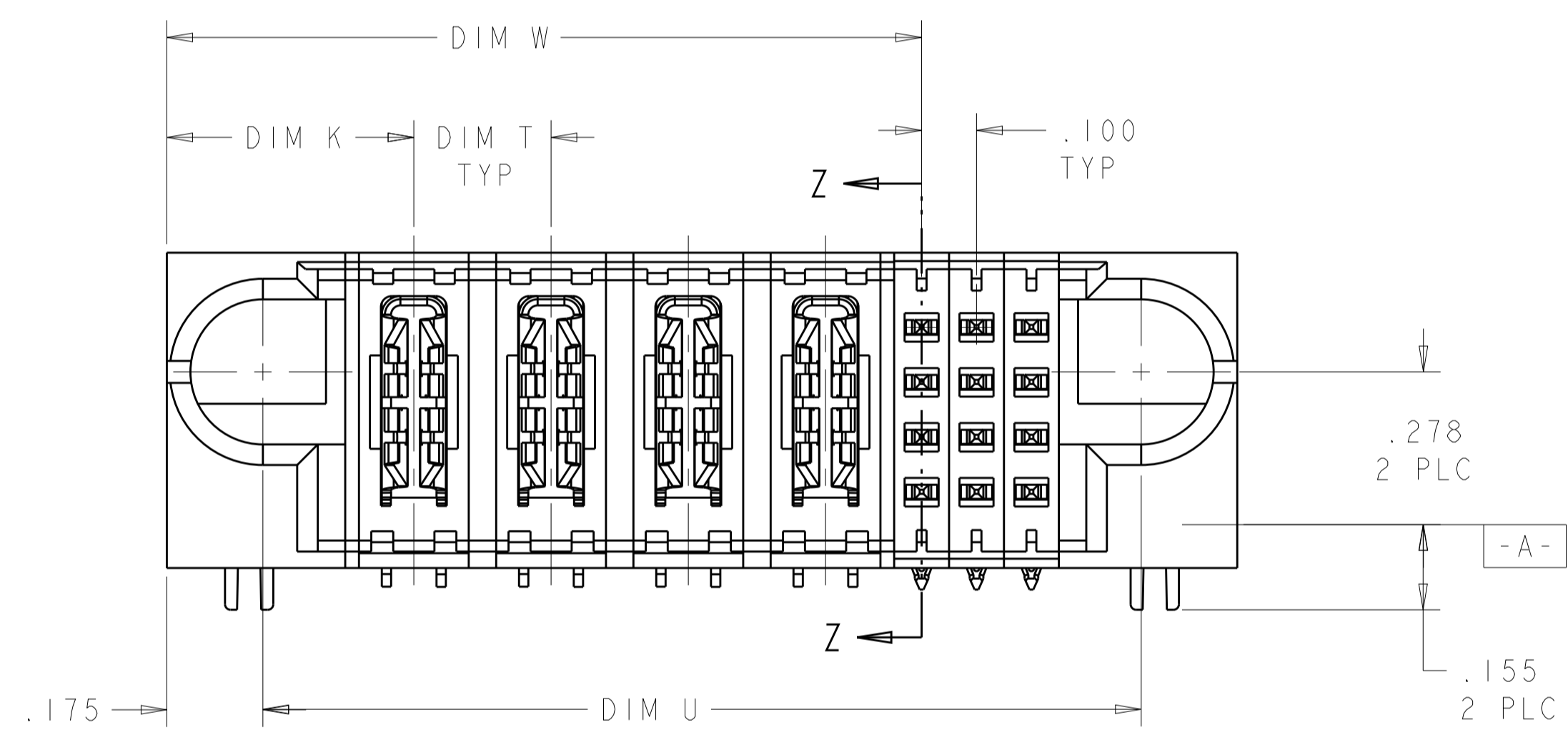


LOC		DIST		REVISIONS			
P	LTN	DESCRIPTION	DATE	DMN	APVD		
A4		REV PER ECR-12-014840	21AUG2012	CZ	SZ		
A5		REV PER ECR-12-015552	03SEP2012	CZ	SZ		



- 1 PART NUMBER, AND DATE CODE MARKED IN AREA SHOWN. MARKING ON BOTH SIDES PERMITTED FOR PARTS UNDER 2.00 LONG.
- 2 MATERIAL:
 HOUSING - GLASS FILLED HIGH TEMP THERMO PLASTIC, UL94 V-0
 SIGNAL CONTACT - COPPER ALLOY
 POWER CONTACT - HIGH CONDUCTIVITY COPPER ALLOY
- 3 CONTACT PLATING: NOBLE METAL PLATING ON CONTACT FUNCTIONAL AREA OF POWER AND SIGNAL CONTACTS
- 4 MECHANICAL CONNECTOR KEEP OUT ZONE.
- 5 DATUM AND BASIC DIMENSIONS ESTABLISHED BY CUSTOMER.
- 6 PCB - ALL HOLE DIAMETERS ARE FINISHED HOLE SIZES.
- 7 PCB - .0453±.0010 DRILLED HOLES PLATED WITH .0003 MIN Sn OVER .001 TO .003 Cu PLATING TO ACHIEVE A .040 HOLE.



DIM T	DIM U	DIM W	DIM D	DIM L	DIM K	DESCRIPTION	PART NUMBER
.300	1.350	1.300	1.400	1.700	.450	3ACP + 4S	6450532-3
.250	3.900	3.375	3.950	4.250	.450	12P + 24S	6450532-2
.250	1.600	1.375	1.650	1.950	.450	4P + 12S	6450532-1

THIS DRAWING IS A CONTROLLED DOCUMENT. DMN: C. ZHOU 01DEC2006
 CHK: S. ZHAO 01DEC2006
 APVD: S. YAO

STE TE Connectivity

NAME: RIGHT ANGLE HEADER MULTI-BEAM XL, PWR-SIG W/GUIDES HOLD DOWNS, PRESS FIT

PRODUCT SPEC: 108-1973
 APPLICATION SPEC: 114-13038

SIZE: A1 CAGE CODE: 6450532 DRAWING NO: 100779

MATERIAL: 2 FINISH: 3

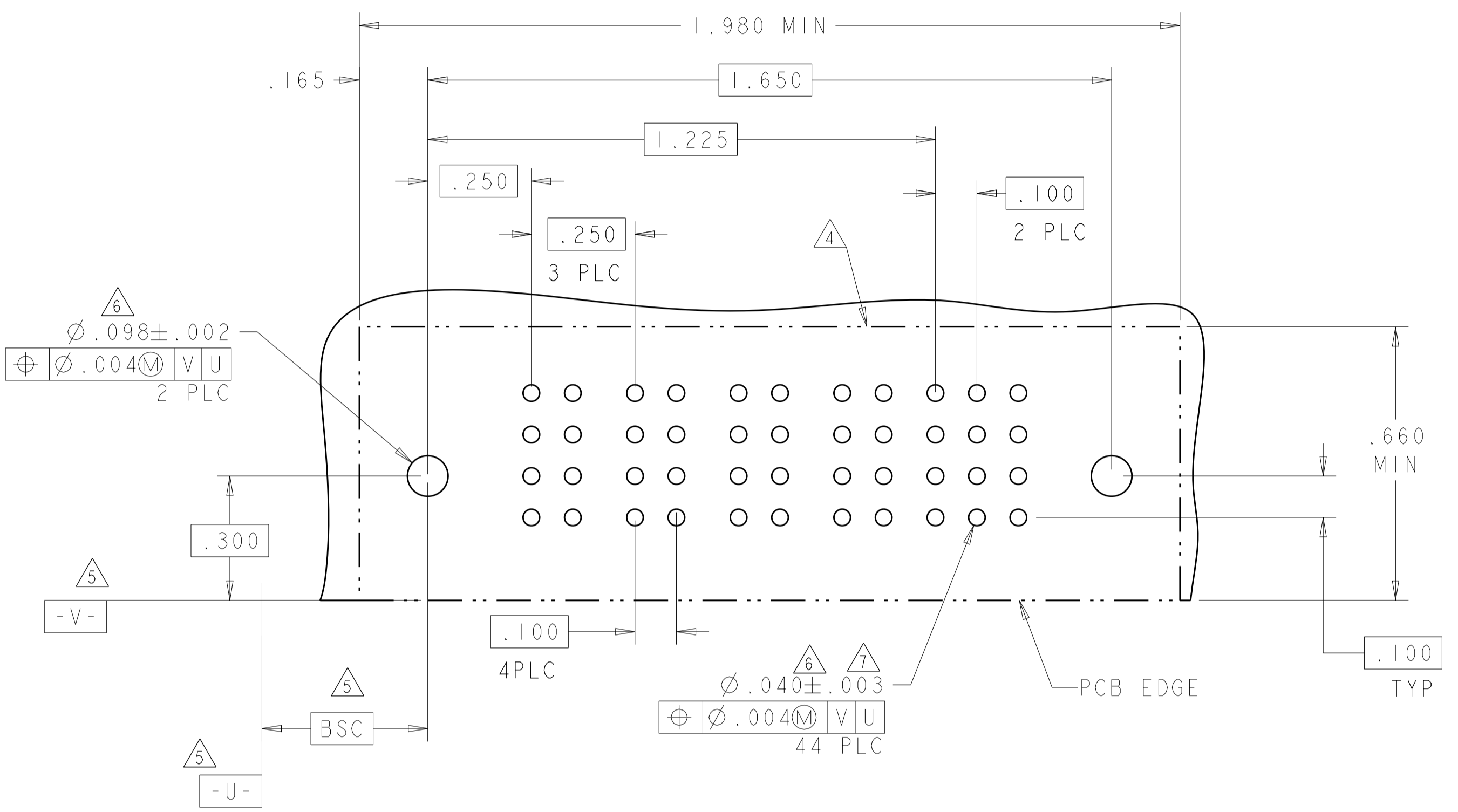
CUSTOMER DRAWING SCALE: 4:1 SHEET 1 OF 2 REV: A6

LOC	DIST	REV	DATE	BY	APPD
ES	00				

REVISIONS			
NO.	DESCRIPTION	DATE	BY
-	SEE SHEET 1	-	-

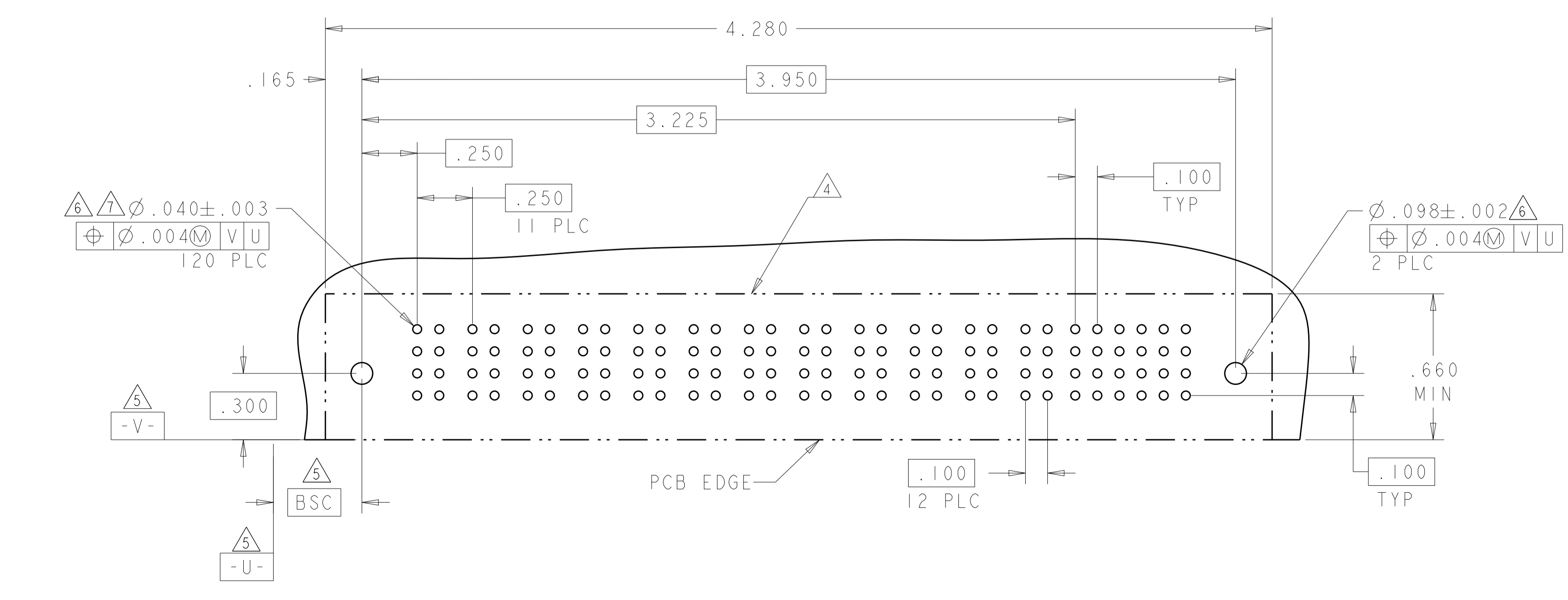
PART NUMBER	ROWS	POWER				SIGNAL		
		P1	P2	P3	P4	1	2	3
6450532-1	D	PT	PT	PT	PT	Z5	Z1	Z5
	C					Y5	Y1	Y1
	B					R5	R5	R5
	A					O5	O5	O5

4P + 12S



PART NUMBER	ROWS	POWER												SIGNAL										
		P1	P2	P3	P4	P5	P6	P7	P8	P9	P10	P11	P12	1	2	3	4	5	6					
6450532-2	D	PT	PT	PT	PT	PT	PT	PT	PT	PT	PT	PT	PT	Z5	Z5	Z5	Z5	Z5	Z5					
	C													Y5	Y5	Y5	Y5	Y5	Y5	Y5	Y5	Y5	Y5	Y5
	B													R5	R5	R5	R5	R5	R5	R5	R5	R5	R5	R5
	A													O5	O5	O5	O5	O5	O5	O5	O5	O5	O5	O5

12P + 24S

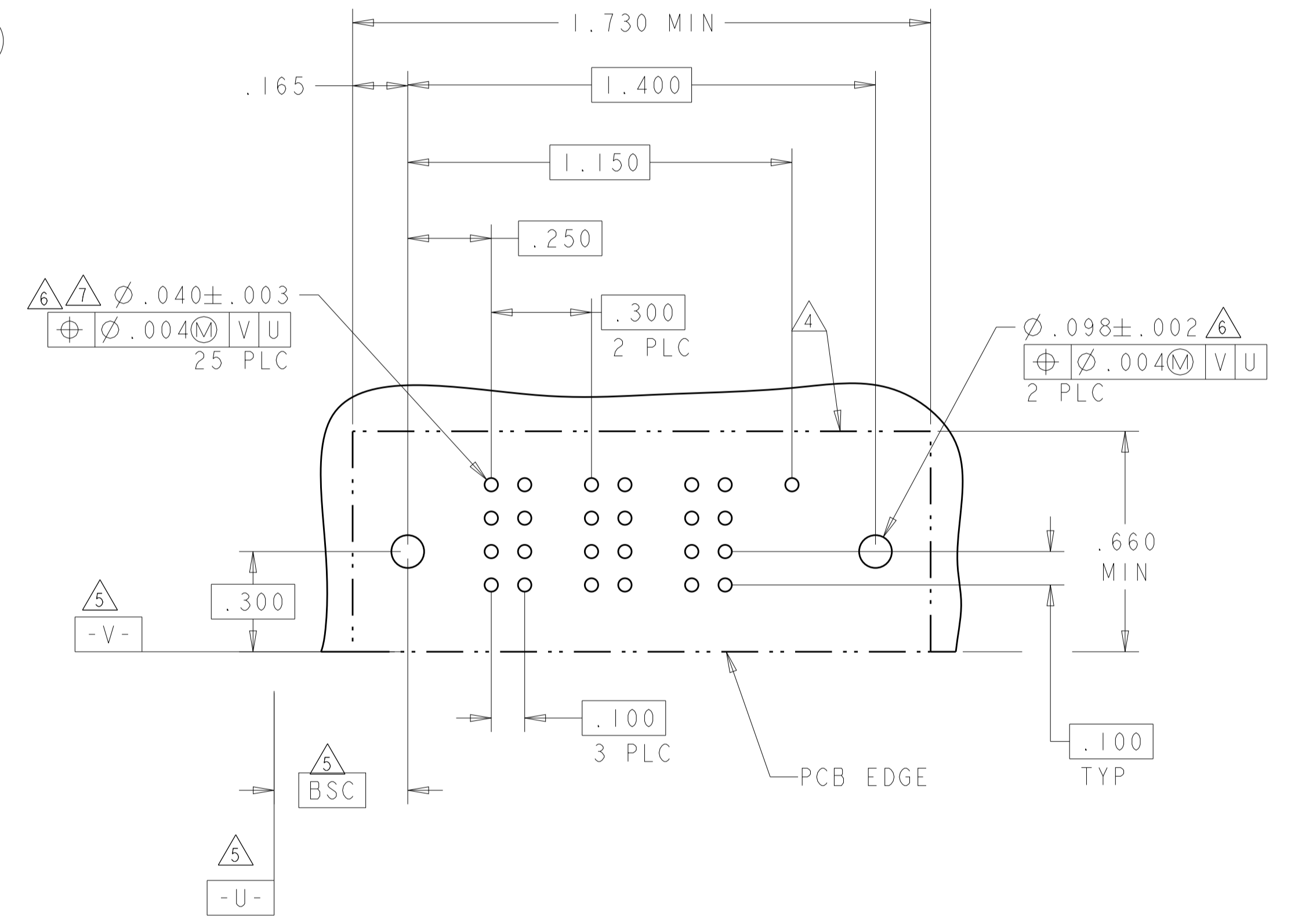


PART NUMBER	ROWS	POWER			SIGNAL
		P1	P2	P3	I
6450532-3	D	PT	PT	PT	Z1
	C				
	B				
	A				

3ACP + 4S

NO CONTACTS LOADED

A5



Z1	MLBF	D
Y1	MLBF	C
R1	MLBF	B
O1	MLBF	A
Z5	STD	D
Y5	STD	C
R5	STD	B
O5	STD	A

CODE	MATING SEQUENCE	ROW
PT	STD	

THIS DRAWING IS A CONTROLLED DOCUMENT. DWG: C.ZHOU 01DEC2006. CHK: S.ZHAO 01DEC2006. APVD: S.YAO

DIMENSIONS: INCHES. TOLERANCES UNLESS OTHERWISE SPECIFIED: 0 PLC ±.1, 1 PLC ±.1, 2 PLC ±.01, 3 PLC ±.005, 4 PLC ±.002, ANGLES ±.2.

MATERIAL: FINISH:

PRODUCT SPEC: 108-1973. APPLICATION SPEC: 114-13038. WEIGHT: A100779. CAGE CODE: 6450532. CUSTOMER DRAWING.

NAME: RIGHT ANGLE HEADER MULTI-BEAM XL, PWR-SIG W/GUIDES HOLD DOWNS, PRESS FIT. SIZE: 114-13038. SCALE: 4:1. SHEET: 2 OF 2. REV: A6.