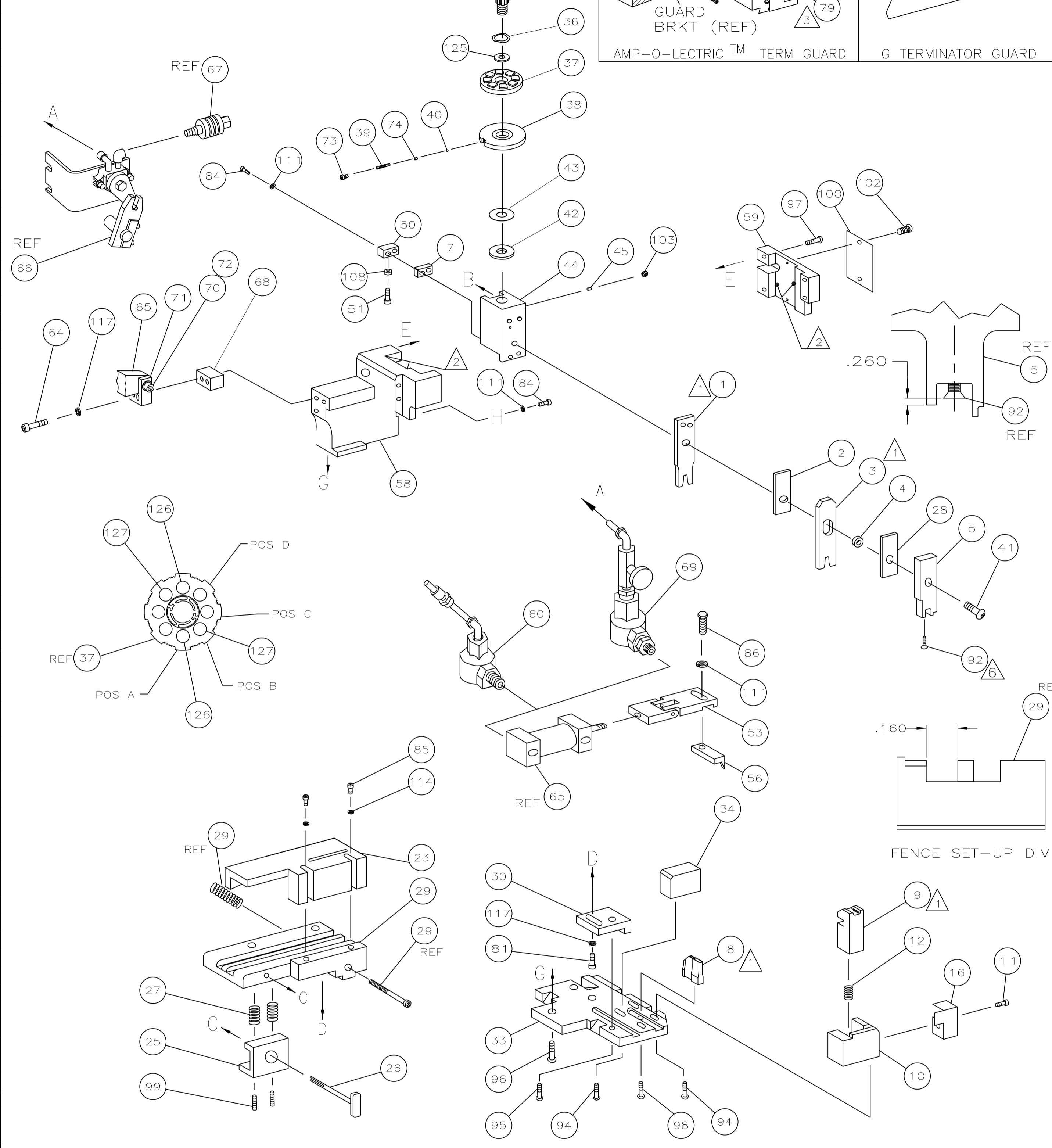
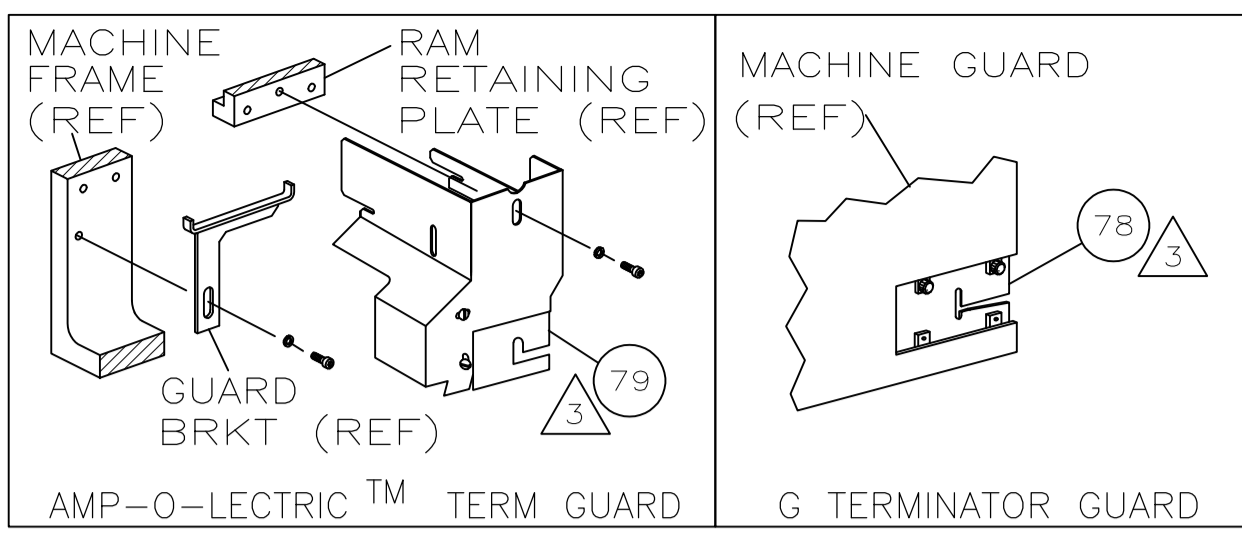
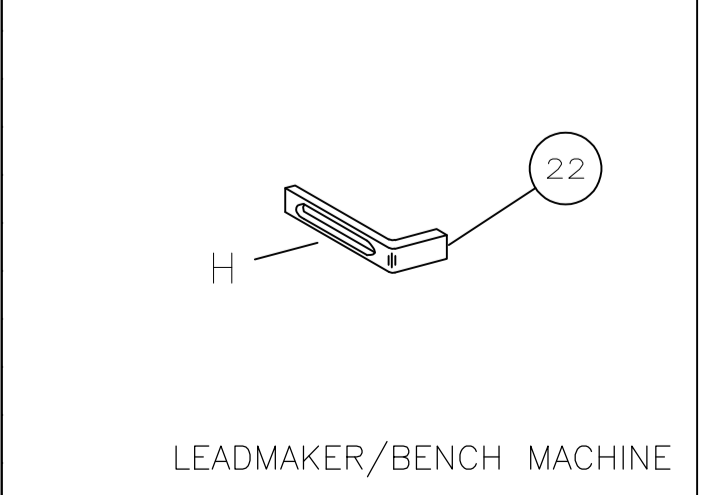


PART NUMBER	REV	FIRST USED
1385884-1	B	122500-1
1385884-2	B	565435-5
1385884-3	B	354500-1



- 1 RECOMMENDED SPARE PARTS.
- 2 GREASE LIGHTLY.
- 3 GUARD MUST BE IN PLACE WHEN OPERATING APPLICATOR IN A BENCH MACHINE.
- 4 SEE DRAWING FOR COMPONENTS
- 5 THIS APPLICATOR APPLIES TERMINAL WITH A SEAL.
- 6 APPLY TORQ-SEAL IN ALLEN SOCKET TO FILL HOLE AFTER FLAT HD HAS BEEN ADJUSTED TO CORRECT HEIGHT AT QUALIFICATION. APPLY PN 1-23419-5 LOC-TITE TO THREADS.



AMP TERM PN		MFR TERM PN	PRONER TERMINAL		PRONER CRIMP SPECS	
1544333		3274 D 002	PAD LTR	CRIMP HEIGHT	WIRE SIZE	
			A	.125 ±.002 [3.17 ±.05mm]	8mm ²	
			B	.115 ±.002 [2.92 ±.05mm]	7mm ²	
			C	NOT	USED	
			D	NOT	USED	
AMP SEAL PN		MFR SEAL PN	WIRE	SIZE	TYPE	RANGE
1544316-2		-	.216	[5.49mm]	f	7-8mm ²
			INSUL	.323 [8.20mm]	OV	4.9-5.9mm ²
WIRE STRIP LENGTH		TERM APPL SPEC	FEED	APPL INSTRUCTION	SET UP GAGE	LAYOUT
.251-.267		NONE	25mm	408-8040	458637-1	L3087

QTY REQD PER ASSY	QTY REQD PER ASSY	QTY REQD PER ASSY	QTY REQD PER ASSY	PART NO	DESCRIPTION	ITEM NO
						129
						128
2	2	2	-	7-354778-1	PIN, WIRE DISC (.2850)B	127
2	2	2	-	5-354778-1	PIN, WIRE DISC (.2750)A	126
1	1	1	-	986950-1	WASHER, FLAT PRECISION	125
1	1	1	-	217238-1	GENERAL INSTRUCTION PACKAGE	124
1	1	1	-	4088040	SF APPL INST 408-8040	123
						122
						121
						120
						119
						118
3	3	3	-	21024-5	WASHER, LOCK(#10)ADJ BLOCK	117
						116
						115
2	2	2	-	21024-2	WASHER,LOCK(#4)FRONT STP GUIDE	114
						113
						112
3	3	3	-	21024-4	WASHER,LOCK(#8)STRIPPER	111
						110
						109
1	1	1	-	21018-5	NUT,HEX(NO.6)HOLDDOWN	108
						107
						106
						105
						104
1	1	1	-	21009-2	SCR,SKT SET(1/4-20x.25 LW)RAM	103
2	2	2	-	21017-2	SCR,DRIVE(#2x.19)ID PLATE	102
						101
1	1	1	-	461264-1	PLATE, IDENTIFICATION	100
2	2	2	-	5-21006-6	SCR,BHC(10-32x.75)DRAG	99
1	1	1	-	22733-8	SCR,BHC(8-32x.38 LW)ANVIL	98
4	4	4	-	2-21002-9	SCR,BHC(10-32x.75)CAP	97
3	3	3	-	2-22733-8	SCR,BHC(1/4-20x.62)HSG	96
1	1	1	-	2-21002-7	SCR,BHC(10-32x.50)SG ADJ BLK	95
6	6	6	-	2-21002-2	SCR,BHC(8-32x.50)TERM H DWN	94
						93
1	1	1	-	1-21003-9	SCR,FHC(6-32x.38)DEP	92
						91
						90
						89
						88
						87
1	1	1	-	2-21002-0	SCR,BHC(8-32x.25)FEED FINGER	86
2	2	2	-	1-21000-6	SCR,SHC(4-40x.62)FR ST GUIDE	85
3	3	3	-	2-21000-7	SCR,SHC(8-32x.50)STRIPPER	84
						83
						82
1	1	1	-	3-21000-4	SCR,SHC(10-32x.38)SG ADJ BL	81
						80
						79
-	1	-	-	462992-7	GUARD ASSY	78
REF	-	-	-	679532-1	INSERT, GUARD	77
						76
						75
1	1	1	-	690603-1	SPRING, ASSIST	74
1	1	1	-	23030-1	SCR,SHC(6-32x.25 SL)INS DISC	73
1	1	1	-	3-21001-5	SCR,SHC(3/8x1.00)FEED MT	72
1	1	1	-	459610-3	MOUNT, FEED BRACKET	71
-3	-2	-1	U/M	PART NO	DESCRIPTION	ITEM NO

LOC	DIST	REVISIONS			
A	66	REV	DESCRIPTION	DATE	BY
		B	ECR-08-000036	1-2008	MY

-1	LEADMAKER	AIRFEED
-2	BENCH MODEL K	AIRFEED
-3	BENCH MODEL G	AIRFEED

QTY REQD PER ASSY	QTY REQD PER ASSY	QTY REQD PER ASSY	QTY REQD PER ASSY	PART NO	DESCRIPTION	ITEM NO
						70
1	1	1	-	21024-8	WASHER,LOCK(3/8)FEED BRKT	69
-	1	-	-	692655-5	AIR FEED VALVE ASSY	68
1	1	1	-	461690-1	SPACER, AIR FEED	67
-	REF	-	-	24042-2	VALVE, SHUT OFF	66
-	REF	-	-	692655-6	AIR FEED VALVE ASSY	65
1	1	1	-	461065-2	AIR FEED ASSY (2 INCH)	64
2	2	2	-	4-21000-3	SCR,SHC(10-32x2.00)AIR ASSY	63
						62
						61
1	-	1	-	692655-7	AIR FEED VALVE ASSY	60
1	1	1	-	454220-1	CAP, RAM	59
1	1	1	-	454485-1	HOUSING	58
						57
1	1	1	-	2-694433-1	PAWL, FEED	56
						55
						54
1	1	1	-	461062-1	FEED FINGER ASSY	53
						52
1	1	1	-	811242-2	BUMPER, HOLDDOWN	51
1	1	1	-	690753-1	SPACER, TONKER	50
						49
						48
						47
						46
1	1	1	-	690191-1	PLUG, NYLON	45
1	1	1	-	1-819307-1	RAM	44
1	1	1	-	690125-1	WASHER, LAMINATED	43
1	1	1	-	690124-7	WASHER, RAM	42
1	1	1	-	7-21002-9	BOLT, CRIMPER(5/16x1.00)	41
1	1	1	-	23241-6	BALL, STEEL	40
1	1	1	-	690170-1	SPRING, COMPRESSION	39
1	1	1	-	690142-5	DISC, INSULATION	38
1	1	1	-	354777-1	DISC, WIRE	37
1	1	1	-	22480-5	WASHER, SPRING	36
1	1	1	-	690212-1	POST, RAM	35
1	1	1	-	1-690786-4	SUPPORT, TERMINAL	34
1	1	1	-	318055-4	PLATE, BASE	33
						32
						31
1	1	1	-	455689-1	BLOCK, STRIP GUIDE ADJ	30
1	1	1	-	318756-2	PLATE, STRIP GUIDE, ASSY	29
1	1	1	-	455888-7	SPACER, FRONT SHEAR DEP	28
2	2	2	-	1-22284-0	SPRING, DRAG	27
1	1	1	-	690546-1	LEVER, DRAG RELEASE	26
1	1	1	-	240792-1	DRAG, TERMINAL	25
						24
1	1	1	-	2-679651-4	GUIDE, STRIP (FRONT)	23
1	1	1	-	690472-2	STRIPPER	22
						21
						20
						19
						18
						17
1	1	1	-	318563-1	GUARD, CHIP, FRONT	16
						15
						14
						13
1	1	1	-	4-22280-8	SPRING, SHEAR	12
1	1	1	-	1-690461-7	STOP, SHEAR	11
1	1	1	-	2-690459-2	HOLDER, SHEAR (FRONT)	10
1	1	1	-	318059-4	SHEAR, FLOAT (FRONT)	9
1	1	1	-	2-318088-7	ANVIL	8
1	1	1	-	5-240641-4	SPACER, DEPRESSOR (REAR)	7
						6
1	1	1	-	122399-5	DEPRESSOR, SHEAR (FRONT)	5
1	1	1	-	4-238011-4	SPACER, BLOCK CRIMPER	4
1	1	1	-	7-854830-0	CRIMPER, INSULATION	3
1	1	1	-	2-455888-1	SPACER, CRIMPER	2
1	1	1	-	8-1490019-3	CRIMPER, WIRE	1
-3	-2	-1	U/M	PART NO	DESCRIPTION	ITEM NO

THIS DRAWING IS A CONTROLLED DOCUMENT.

DIMENSIONS: INCHES. TOLERANCES UNLESS OTHERWISE SPECIFIED: 0 PLC ±.0005, 1 PLC ±.0010, 2 PLC ±.0015, 3 PLC ±.0020, 4 PLC ±.0025, ANGLES ±.0010.

MATERIAL: FINISH: WEIGHT: A1 00779 1385884

THIS DRAWING IS A CONTROLLED DOCUMENT. DWG: B.HIGMAN, CHK: T.ELBIN, APVD: T.ELBIN, 11FEB05. Tyco Electronics Corporation, Harrisburg, PA 17105-3608. SIDE FEED HDM APPLICATOR. SIZE: A1, SCALE: 1 OF 1, REV: B.