

MODEL:

# SRW10US

## SmartRack® Wall-Mount Rack Enclosure Cabinet



10 Rack Units



200 lb.  
Load Rating



Sturdy Steel  
Construction



Locking Doors  
& Side Panels



Standard  
19" Rack Width



Convenient  
Cable Access



Hinged Wall  
Bracket



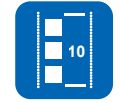
Adjustable  
Mounting Rails



Ventilated for  
Ample Airflow



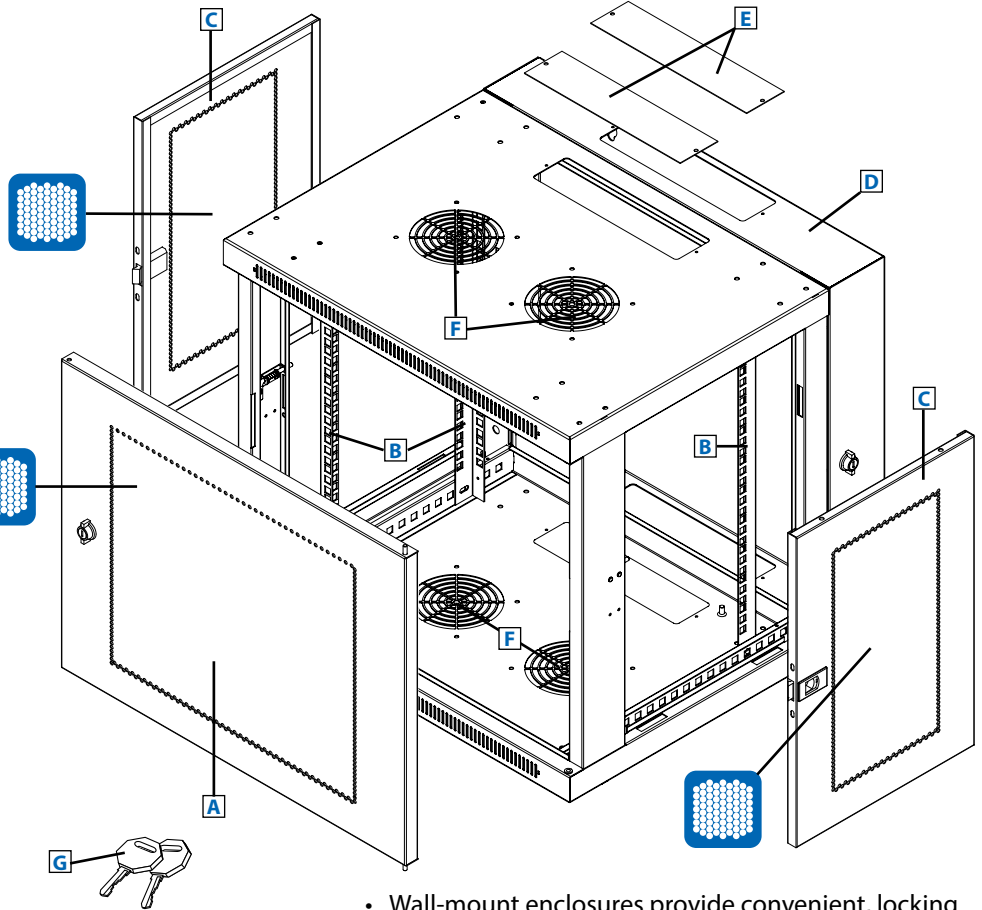
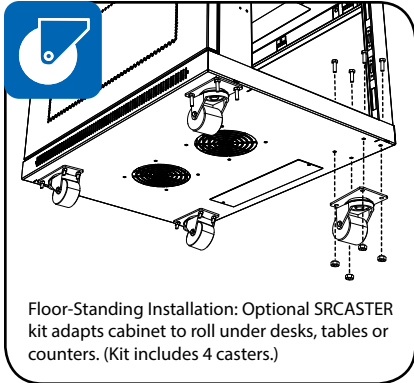
Reversible  
Cabinet



Square Hole  
Mounting

- A** Front Door  
(Lockable/Removable/Reversible)
- B** Adjustable Mounting Rails (4)
- C** Side Panels (2)  
(Lockable/Removable)
- D** Hinged Wall Bracket  
(Lockable/Reversible. Allows the cabinet  
to swing away from the wall for convenient  
rear access to equipment and cabling.)
- E** Cable Access Port Covers (2)  
(Removable)
- F** Ventilation Fan Ports (4)  
(Support optional SRFANWM fan kit.)
- G** Keys (2)

Also Includes: Owner's manual, mounting plate screws (3), cabinet ground screw, pre-installed front door ground wire and rackmount equipment mounting hardware (12 cage nuts, 12 mounting screws, 12 nylon cup washers).



- Wall-mount enclosures provide convenient, locking storage for rackmount IT devices and other equipment that should be off the floor, out of the way and secure
- The cabinet is fully reversible, allowing installers to change door hinges from left to right by simply rotating the unit 180 degrees before mounting
- Hinged wall bracket allows cabinet to swing away from the wall for convenient access to equipment and cabling

**SEE NEXT PAGE FOR DETAILED UNIT MEASUREMENTS**

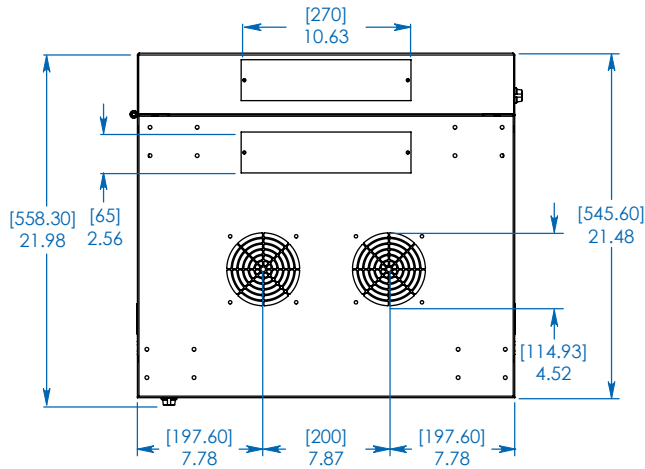
### Specifications

|                                 |   |
|---------------------------------|---|
| Model                           | SRW10US   |
| Rack Spaces                     | 10U   |
| Equipment Mounting Depth        | Up to 20.5 in. (520.7 mm)   |
| Load Rating*                    | 200 lb. (90.7 kg)   |
| Unit Dimensions [H x W x D]     | 21.57 x 23.62 x 21.6 in. (547.8 x 600 x 549 mm)                                 |
| Shipping Dimensions [H x W x D] | 24.41 x 26.38 x 24.41 in. (620 x 670 x 620 mm)                                  |
| Unit Weight                     | 53.4 lb. (24 kg)  |
| Shipping Weight                 | 59 lb. (26.76 kg)   |
| Regulatory Compliance           | Meets EIA-310-E, NOM, RoHS, PCI-DSS and IEC 60297-3-100; IP20 Protection Rating |

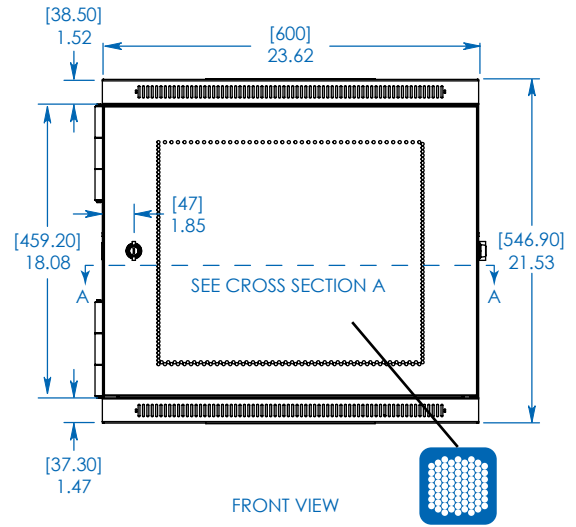
\* The load rating includes the combined weight of the unit and installed equipment. The unit must be mounted to a stable surface with user-supplied anchors capable of bearing the full load.



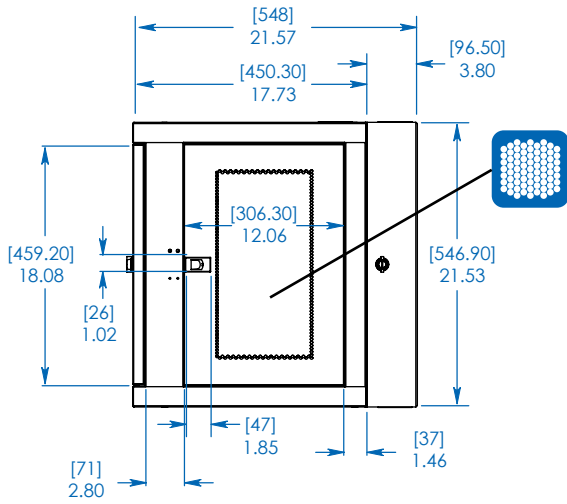
1111 W. 35th Street  
Chicago, IL 60609 USA  
773.869.1234  
www.tripplite.com



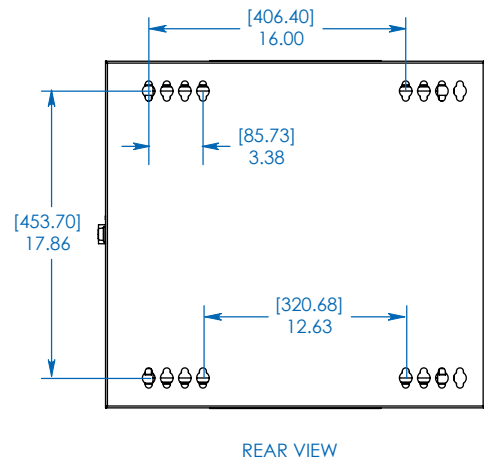
TOP/BOTTOM VIEW



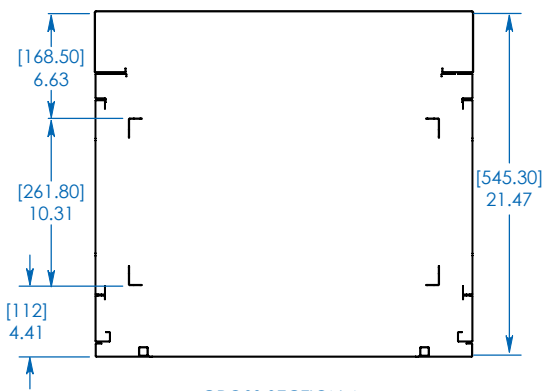
FRONT VIEW



SIDE VIEW



REAR VIEW

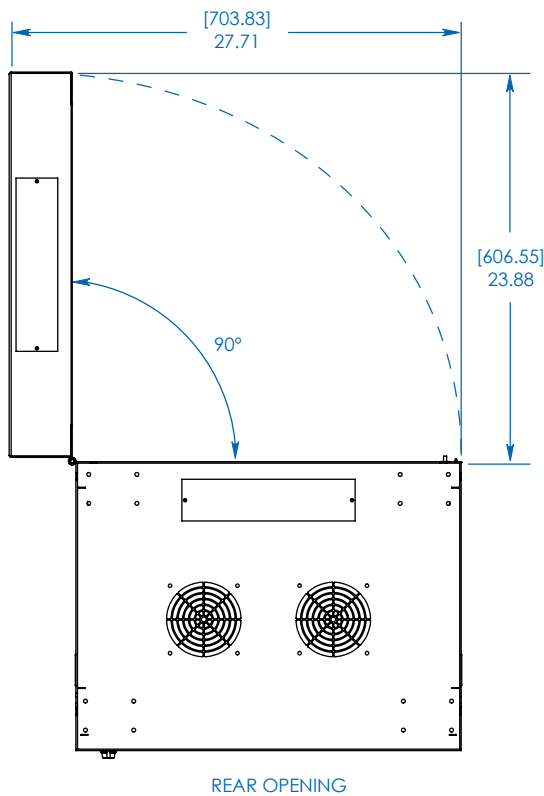
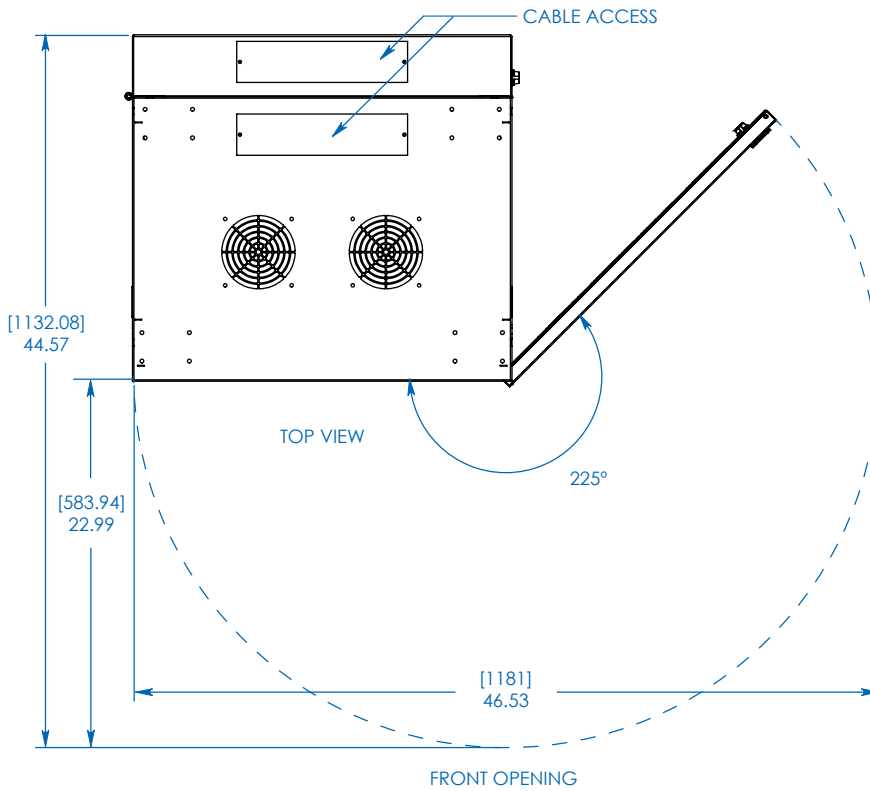


CROSS SECTION A  
USABLE MOUNTING DEPTH

Dimensions: [mm] INCHES

Tripp Lite has a policy of continuous improvement. Specifications are subject to change without notice.

MODEL:  
**SRW10US**  
**TRIPP·LITE**



MODEL:  
**SRW10US**  
**TRIPPLITE**

1111 W. 35th Street  
 Chicago, IL 60609 USA  
 773.869.1234  
 www.tripplite.com

Dimensions: [mm] INCHES

Tripp Lite has a policy of continuous improvement. Specifications are subject to change without notice.