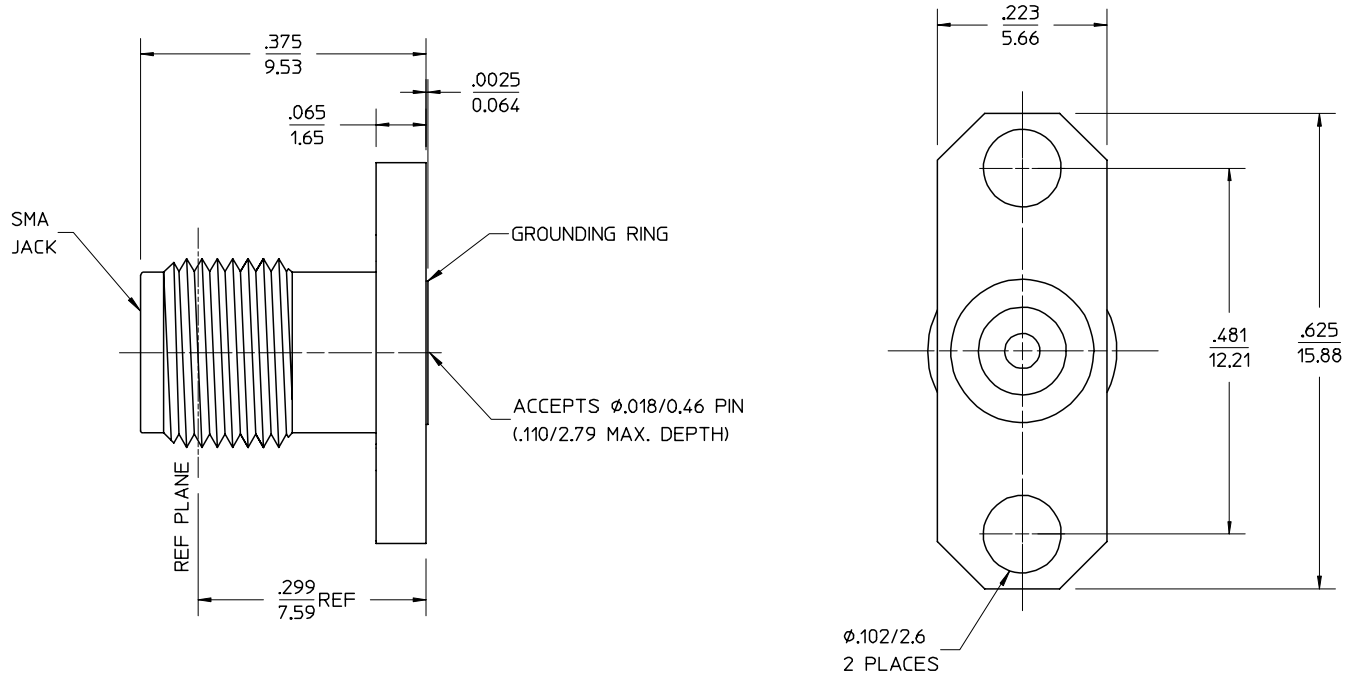


MATERIALS AND FINISHES:
 BODY STAINLESS STEEL
 PASSIVATED

CENTER CONTACT BERYLLIUM COPPER
 PLATED GOLD

INSULATOR TEFLON



PART # 73251-0920

MIL-STD-348, FIGURE 310-2	INTERFACE
PS-89675-2910	ELECTRO/MECH PERFORMANCE
SPECIFICATION	DESCRIPTION

CHG: NEW RELEASE	EC NO. URF-0233	DESCRIPTION	UNLESS OTHERWISE SPECIFIED DIMS ARE INCHES AND ANGLES ARE DEGREES. 1. $\sqrt{63}$ ALL OVER. 2. NO CHATTER OR NON-UNIFORM SURFACE FINISH ALLOWED. 3. PARTS TO BE FREE OF BURRS & SHARP EDGES .005 MAX BREAK, & EXTERNAL THREADS TO BE ROLLED OR SINGLE POINT. 4. EXTERNAL THREADS TO BE ROLLED OR SINGLE POINT. 5. DIAMETERS TO BE CONCENTRIC WITHIN .003 TIR.
	DRWN: TEF 06/21/99		
A	CHK: DHG 06/21/99	REV	
	APPR: GMH 06/21/99		

QUALITY SYMBOLS	GENERAL TOLERANCES: (UNLESS SPECIFIED)	SCALE	DESIGN UNITS	THIRD ANGLE PROJECTION	DIMENSIONS:	
MAJOR	mm	INCH	<input type="checkbox"/> mm <input checked="" type="checkbox"/> INCH	<input type="checkbox"/> mm <input checked="" type="checkbox"/> INCH	<input type="checkbox"/> mm ONLY	
CRITICAL	4 PLACES ± .0005	3 PLACES ± .005	2 PLACES ± .01	1 PLACE ± .1	ANGULAR: ±2°	
	DRAWN BY & DATE EDC 02/19/99		CHECKED BY & DATE DHG 02/19/99		APPROVED BY & DATE GMH 02/19/99	
	CAD FILENAME		MATERIAL NO. SEE NOTE		DRAWING NO. SD-73251-092	
	DRAFT WHERE APPLICABLE MUST REMAIN WITHIN DIMENSIONS		THIS DRAWING CONTAINS INFORMATION THAT IS PROPRIETARY TO MOLEX INCORPORATED AND SHOULD NOT BE USED WITHOUT WRITTEN PERMISSION.		SHEET NO. 1 of 1	

TITLE: SMA JACK, RECEPTACLE, 2 HOLE FLANGE MOUNT, ACCEPTS .018 DIA PIN SMA-JR/F		MATERIAL NO. SEE NOTE		DRAWING NO. SD-73251-092		SHEET NO. 1 of 1	
MOLEX INCORPORATED		THIS DRAWING CONTAINS INFORMATION THAT IS PROPRIETARY TO MOLEX INCORPORATED AND SHOULD NOT BE USED WITHOUT WRITTEN PERMISSION.		SIZE B			