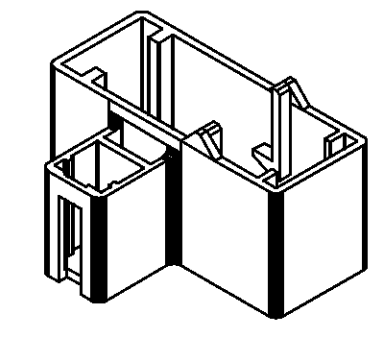
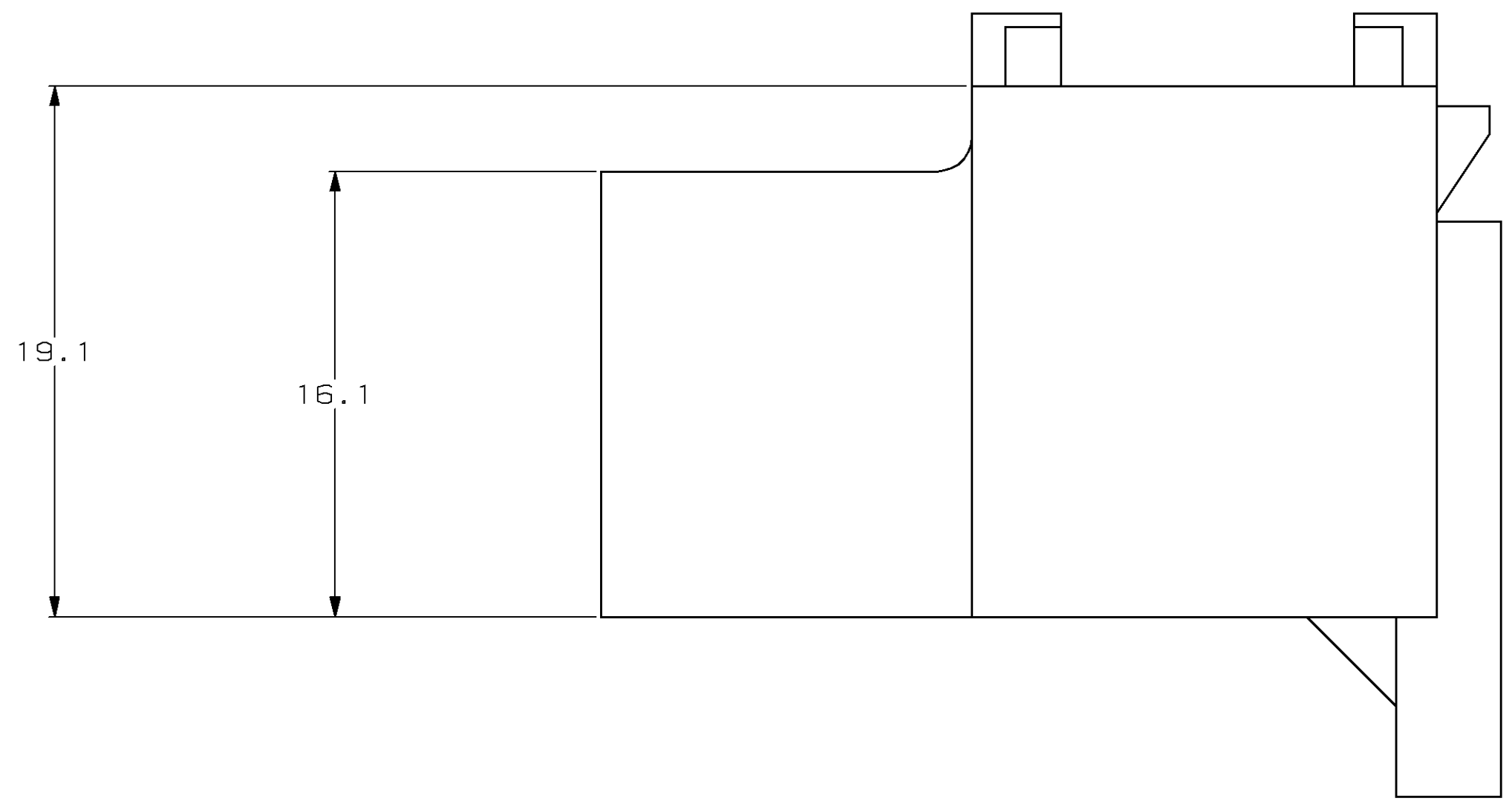
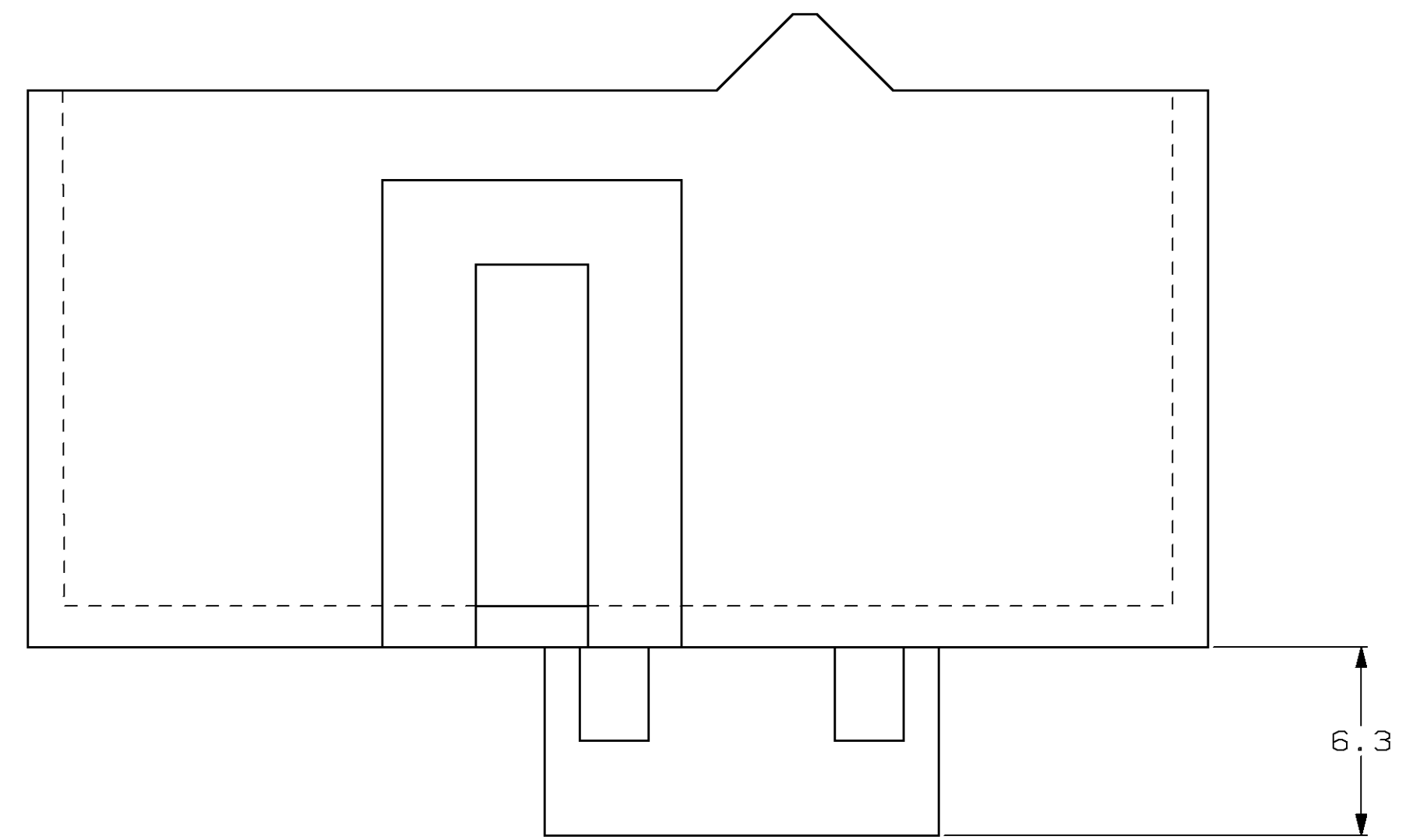
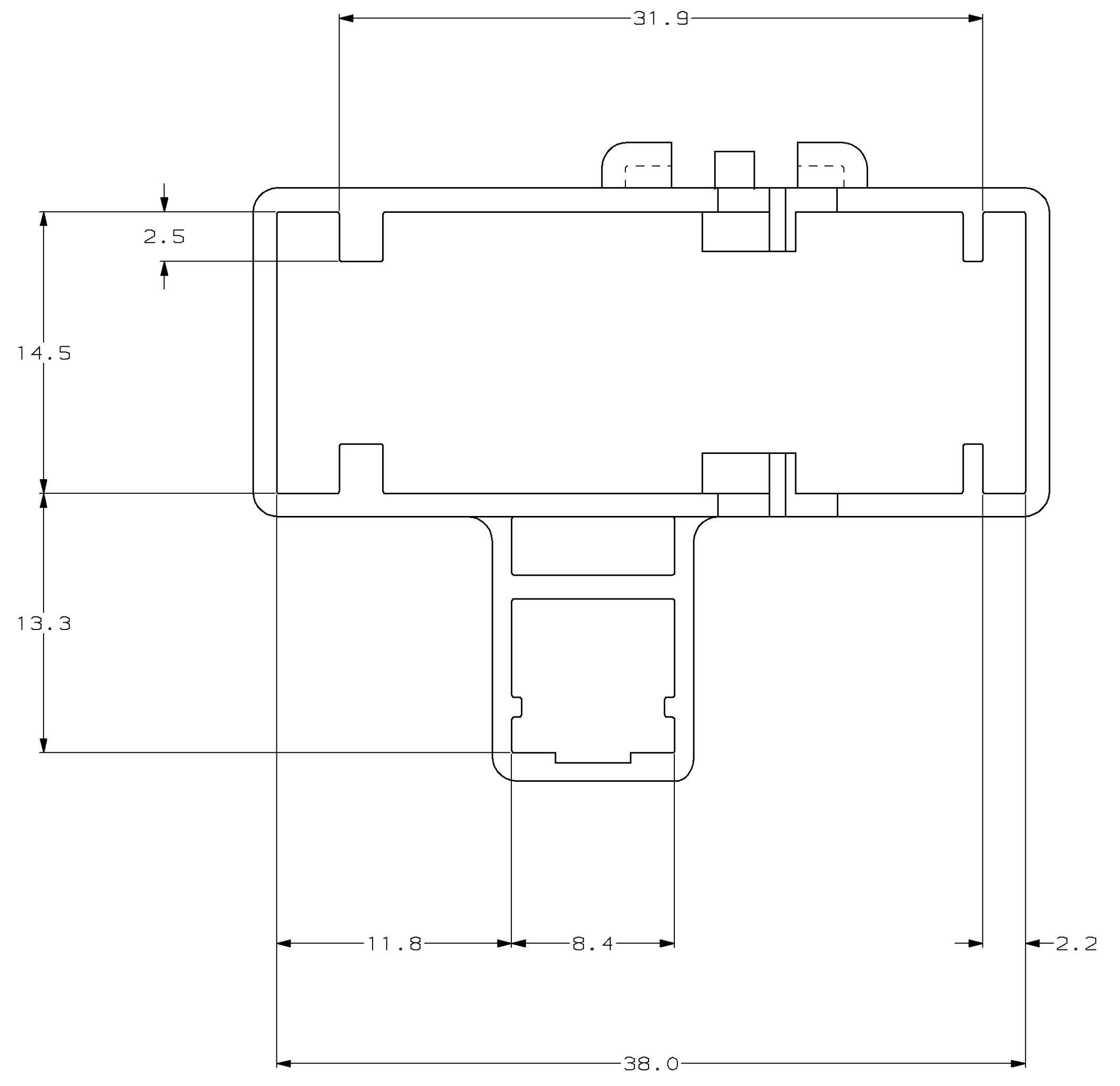


LOC		DIST		REVISIONS			
P	LTR	DATE	DMN	APVD			
GE	51	0					
REL PER PR# 98-19				5-26-98	PC	DS	

- MATERIAL: MOLDING COMPOUND POLYESTER PBT, 30% GL FIBER REINFORCING, BLACK.
- ALL INSIDE RADII TO BE R 0.1 MAX.



776243-1
PART NUMBER

THIS DRAWING IS A CONTROLLED DOCUMENT.		DWN P. COLLINS 5-26-98	AMP Incorporated Harrisburg, PA 17105-3508	
DIMENSIONS:		CHK D. STILLIE 5-26-98	NAME D. CROME	
mm	TOLERANCES UNLESS OTHERWISE SPECIFIED:	PRODUCT SPEC	APPLICATION SPEC	
0 PLC	±0.50	RESTRICTED TO		
1 PLC	±0.20	SIZE	CAGE CODE	DRAWING NO
2 PLC	±-	A1	00779	776243
3 PLC	±-	CUSTOMER DRAWING		
4 PLC	±-	SCALE	SHEET	REV
ANGLES	±-	5:1	1 OF 1	0
FINISH	±-			