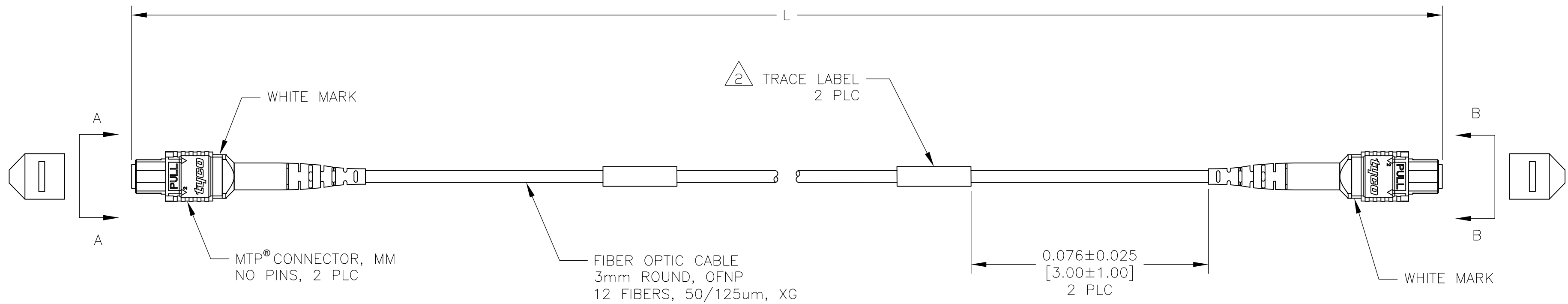
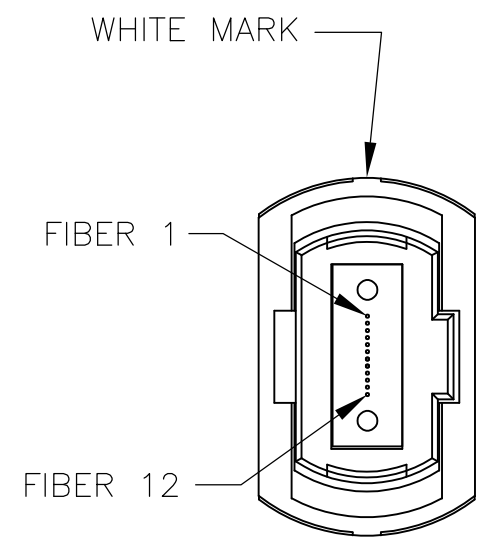


| LOC | DIST | REVISIONS | | | | | |
|-----|------|-----------|-----|---------------|-----------|-----|------|
| | | P | LTR | DESCRIPTION | DATE | DWN | APVD |
| CE | 00 | C | | ECR-14-008576 | 24SEP2014 | HZ | RZ |



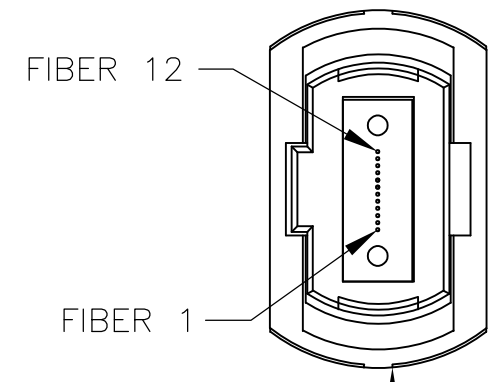
REVERSE FIBER PATH



VIEW A-A
NOT TO SCALE

| MTP® LEFT FIBER # | | MTP® RIGHT FIBER # |
|-------------------|---|--------------------|
| 1 | ↔ | 12 |
| 2 | ↔ | 11 |
| 3 | ↔ | 10 |
| 4 | ↔ | 9 |
| 5 | ↔ | 8 |
| 6 | ↔ | 7 |
| 7 | ↔ | 6 |
| 8 | ↔ | 5 |
| 9 | ↔ | 4 |
| 10 | ↔ | 3 |
| 11 | ↔ | 2 |
| 12 | ↔ | 1 |

MTP® CONNECTOR FIBER PATH



VIEW B-B
NOT TO SCALE

NOTES:

- ① MAXIMUM CONNECTOR INSERTION LOSS (850nm): 0.5dB + 3.5dB/km. SEE TABLE.
- ② STANDARD TRACE LABEL TO BE APPLIED AT BOTH ENDS.
- 3. PRODUCT AND PROCESSING MUST MEET REQUIREMENTS OF TEC-138-702.

| | | | | |
|--|--|----------------------------------|---|------------------------------|
| THIS DRAWING IS A CONTROLLED DOCUMENT. | | DWN K.GLATFELTER 15JAN2009 | TE Connectivity | |
| DIMENSIONS: METERS [INCHES] | | CHK J.BARRY | | |
| | | APVD J.BARRY | CABLE ASSEMBLY, FIBER OPTIC, 50/125um, XG 3mm ROUND CABLE, OFNP, MTP®W/NO PINS, REVERSED PATH | |
| | | PRODUCT SPEC | | SIZE |
| MATERIAL | | APPLICATION SPEC | | DRAWING NO |
| FINISH | | WEIGHT | | RESTRICTED TO |
| | | CUSTOMER DRAWING | | SCALE NTS SHEET 1 OF 2 REV C |

1938324

THIS DRAWING IS UNPUBLISHED. RELEASED FOR PUBLICATION
 © COPYRIGHT - By - ALL RIGHTS RESERVED.

| LOC | DIST | REVISIONS | | | | | |
|-----|------|-----------|-----|-------------|------|-----|------|
| | | P | LTR | DESCRIPTION | DATE | DWN | APVD |
| CE | 16 | - | - | SEE SHEET 1 | - | - | - |

| | | | |
|------|---------------|-------------------|-------------|
| 1.55 | 300.000±3.000 | [11811.02±118.11] | 9-1938324-8 |
| 0.68 | 50.000±0.500 | [1968.5±19.69] | 5-1938324-0 |
| 0.64 | 40.000±0.400 | [1574.80±15.75] | 4-1938324-0 |
| 0.64 | 39.000±0.390 | [1535.43±15.35] | 3-1938324-9 |
| 0.63 | 38.000±0.380 | [1496.06±14.96] | 3-1938324-8 |
| 0.63 | 37.000±0.370 | [1456.69±14.57] | 3-1938324-7 |
| 0.63 | 36.000±0.360 | [1417.32±14.17] | 3-1938324-6 |
| 0.62 | 35.000±0.350 | [1377.95±13.78] | 3-1938324-5 |
| 0.62 | 34.000±0.340 | [1338.58±13.39] | 3-1938324-4 |
| 0.62 | 33.000±0.330 | [1299.21±12.99] | 3-1938324-3 |
| 0.61 | 32.000±0.320 | [1259.84±12.60] | 3-1938324-2 |
| 0.61 | 31.000±0.310 | [1220.47±12.20] | 3-1938324-1 |
| 0.61 | 30.000±0.300 | [1181.10±11.81] | 3-1938324-0 |
| 0.60 | 29.000±0.290 | [1141.73±11.42] | 2-1938324-9 |
| 0.60 | 28.000±0.280 | [1102.36±11.02] | 2-1938324-8 |
| 0.59 | 27.000±0.270 | [1062.99±10.63] | 2-1938324-7 |
| 0.59 | 26.000±0.260 | [1023.62±10.24] | 2-1938324-6 |
| 0.59 | 25.000±0.250 | [984.25±9.84] | 2-1938324-5 |
| 0.58 | 24.000±0.240 | [944.88±9.45] | 2-1938324-4 |
| 0.58 | 23.000±0.230 | [905.51±9.06] | 2-1938324-3 |
| 0.58 | 22.000±0.220 | [866.14±8.66] | 2-1938324-2 |
| 0.57 | 21.000±0.210 | [826.77±8.27] | 2-1938324-1 |
| 0.57 | 20.000±0.200 | [787.40±7.87] | 2-1938324-0 |
| 0.57 | 19.000±0.190 | [748.03±7.48] | 1-1938324-9 |
| 0.56 | 18.000±0.180 | [708.66±7.09] | 1-1938324-8 |
| 0.56 | 17.000±0.170 | [669.29±6.69] | 1-1938324-7 |
| 0.56 | 16.000±0.160 | [629.92±6.30] | 1-1938324-6 |
| 0.55 | 15.000±0.150 | [590.55±5.91] | 1-1938324-5 |
| 0.55 | 14.000±0.150 | [551.18±5.91] | 1-1938324-4 |
| 0.55 | 13.000±0.150 | [511.81±5.91] | 1-1938324-3 |
| 0.54 | 12.000±0.150 | [472.44±5.91] | 1-1938324-2 |
| 0.54 | 11.000±0.150 | [433.07±5.91] | 1-1938324-1 |
| 0.54 | 10.000±0.150 | [393.70±5.91] | 1-1938324-0 |
| 0.53 | 9.000±0.150 | [354.33±5.91] | 1938324-9 |
| 0.53 | 8.000±0.080 | [314.96±3.15] | 1938324-8 |
| 0.52 | 7.000±0.080 | [275.59±3.15] | 1938324-7 |
| 0.52 | 6.000±0.080 | [236.22±3.15] | 1938324-6 |
| 0.52 | 5.000±0.080 | [196.85±3.15] | 1938324-5 |
| 0.51 | 4.000±0.080 | [157.48±3.15] | 1938324-4 |
| 0.51 | 3.000±0.050 | [118.11±1.97] | 1938324-3 |
| 0.51 | 2.000±0.050 | [78.74±1.97] | 1938324-2 |
| 0.50 | 1.000±0.050 | [39.37±1.97] | 1938324-1 |

| MAX IL (dB) | L METERS [INCHES] | PART NUMBER |
|-------------|-------------------|-------------|
|-------------|-------------------|-------------|

| | | | | |
|---|--------|----------------------------------|---|--------------------|
| THIS DRAWING IS A CONTROLLED DOCUMENT. | | DWN K.GLATFELTER 15JAN2009 | STE TE Connectivity | |
| DIMENSIONS: METERS [INCHES] | | CHK J.BARRY | | |
| TOLERANCES UNLESS OTHERWISE SPECIFIED: | | APVD J.BARRY | NAME CABLE ASSEMBLY, FIBER OPTIC, 50/125um, XG 3mm ROUND CABLE, OFNP, MTP®W/NO PINS, REVERSED PATH | |
| 0 PLC ± - 1 PLC ± - 2 PLC ± - 3 PLC ± - 4 PLC ± - ANGLES ± - | | PRODUCT SPEC - | APPLICATION SPEC - | |
| MATERIAL | FINISH | WEIGHT | SIZE A2 | CAGE CODE 00779 |
| - | - | - | DRAWING NO C=1938324 | RESTRICTED TO - |
| CUSTOMER DRAWING | | | SCALE NTS | SHEET 2 OF 2 |
| | | | REV C | |