

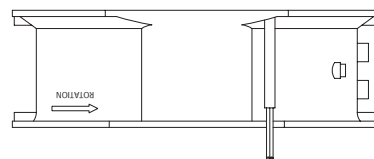
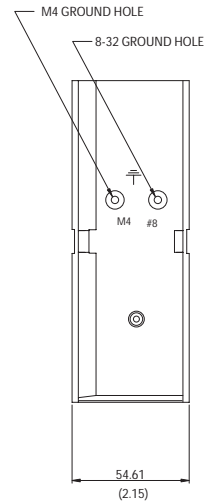
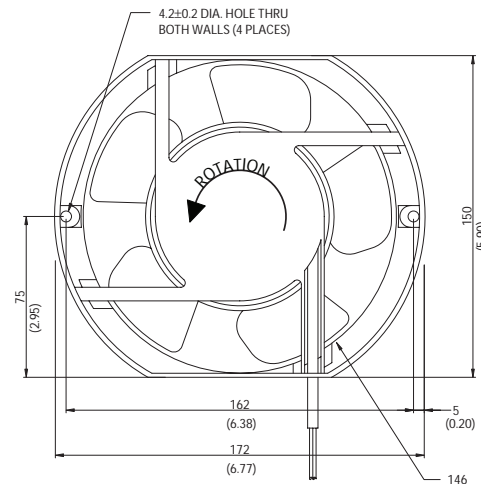
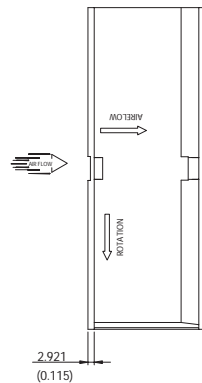
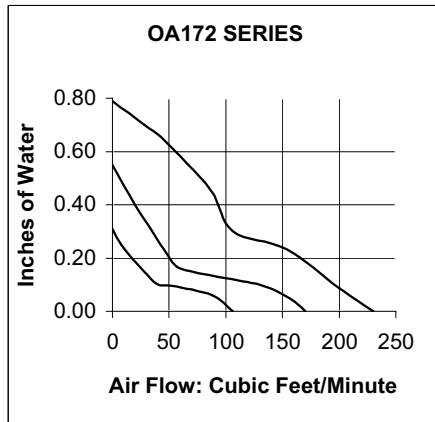
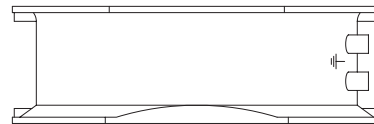
ORION AC Cooling Fans



172 X 150 X 51mm (6.72" X 5.91" X 2.0")



Motor Capacitance driven, impedance protected
Frame/Housing Aluminum die-cast
 Painted black (AP)*
Impeller Glass reinforced thermoplastic, (UL94V-0)
Bearing System Dual Ball Bearing only
Dielectric Strength 1 min. at 1,500VAC, 50/60Hz.
Operating Temperature -20°C~+75°C
Life Expectancy at 40°C 60,000 hours (L10)
Safety Approvals UL, CUL, TÜV



(Wire termination shown)

Model Number	Speed (RPM)	Max CFM	Noise (dB)	Volts	Voltage Range	Watts	Max. Static Pressure Inches
OA172SAP-11-1 [] B	3500	235	46	115	80 ~ 130	35.0	.79
OA172SAP-11-2 [] B	2400	170	35	115	80 ~ 130	20.0	.55
OA172SAP-11-3 [] B	1500	106	27	115	80 ~ 130	16.0	.31
OA172SAP-22-1 [] B	3500	235	46	230	160~260	35.0	.79
OA172SAP-22-2 [] B	2400	170	35	230	160~260	20.0	.55
OA172SAP-22-3 [] B	1500	106	27	230	160~260	16.0	.31

Natural Aluminum finish available: Substitute "SAN" for "SAP". *Also available with a round frame: Substitute "AN" for "SAP" for natural sanded & milled aluminum, or "AP" for Aluminum painted black.

[] Indicate [T] Terminal or [W] Wire

*Round frame
 OA172AN Series
 OA172AP Series

NOTE: This size fan also available with a shaded pole motor. Reference OA162 Series and call ORION for more detailed information.

Accessory Information:
 Finger Guard: G172-10HA
 Plastic Guard: G172P
 Aluminum Filter: WMG172M
 Filter Kit: GRM172-45
 Power Cord: (Any configuration)