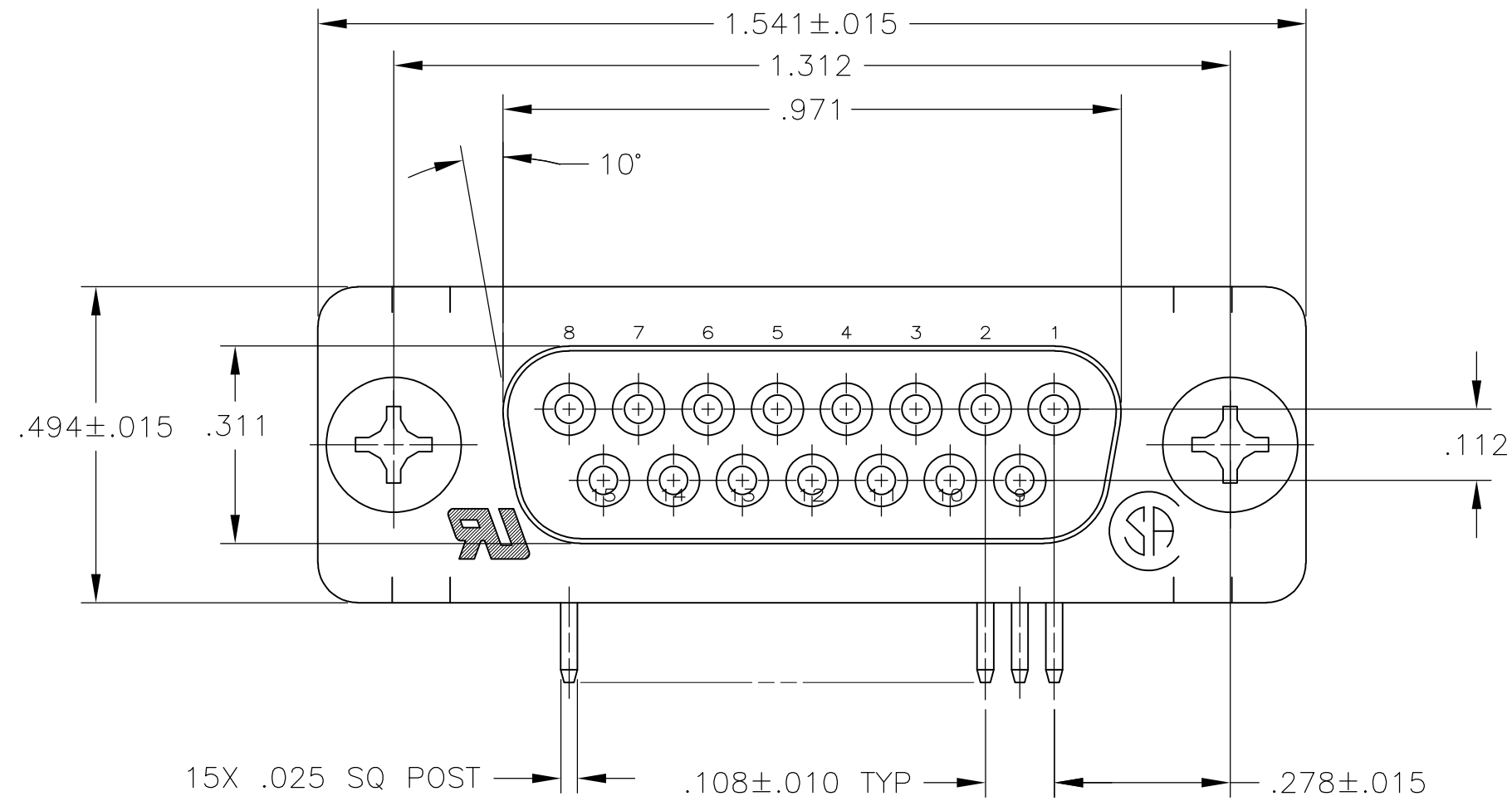
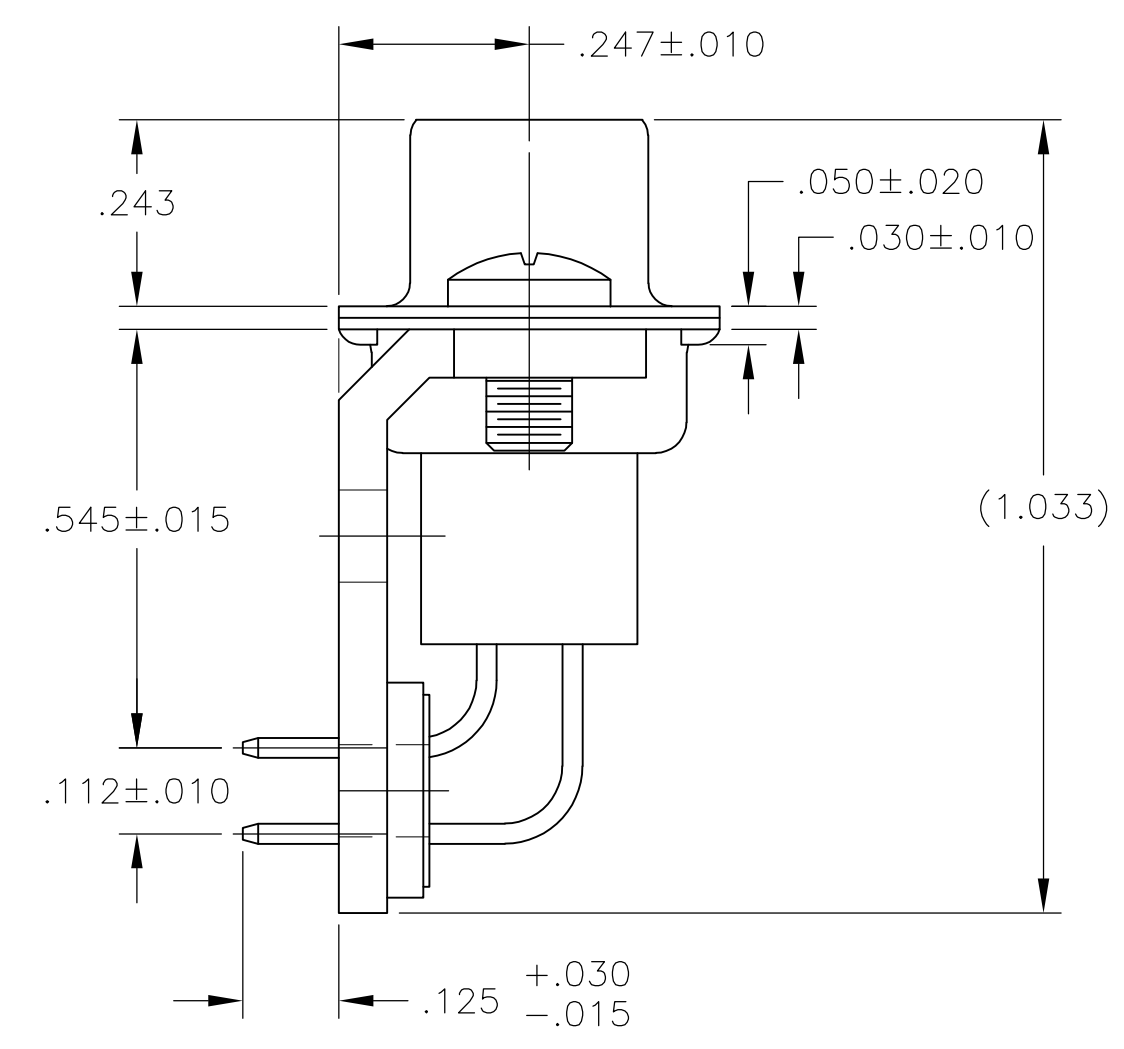
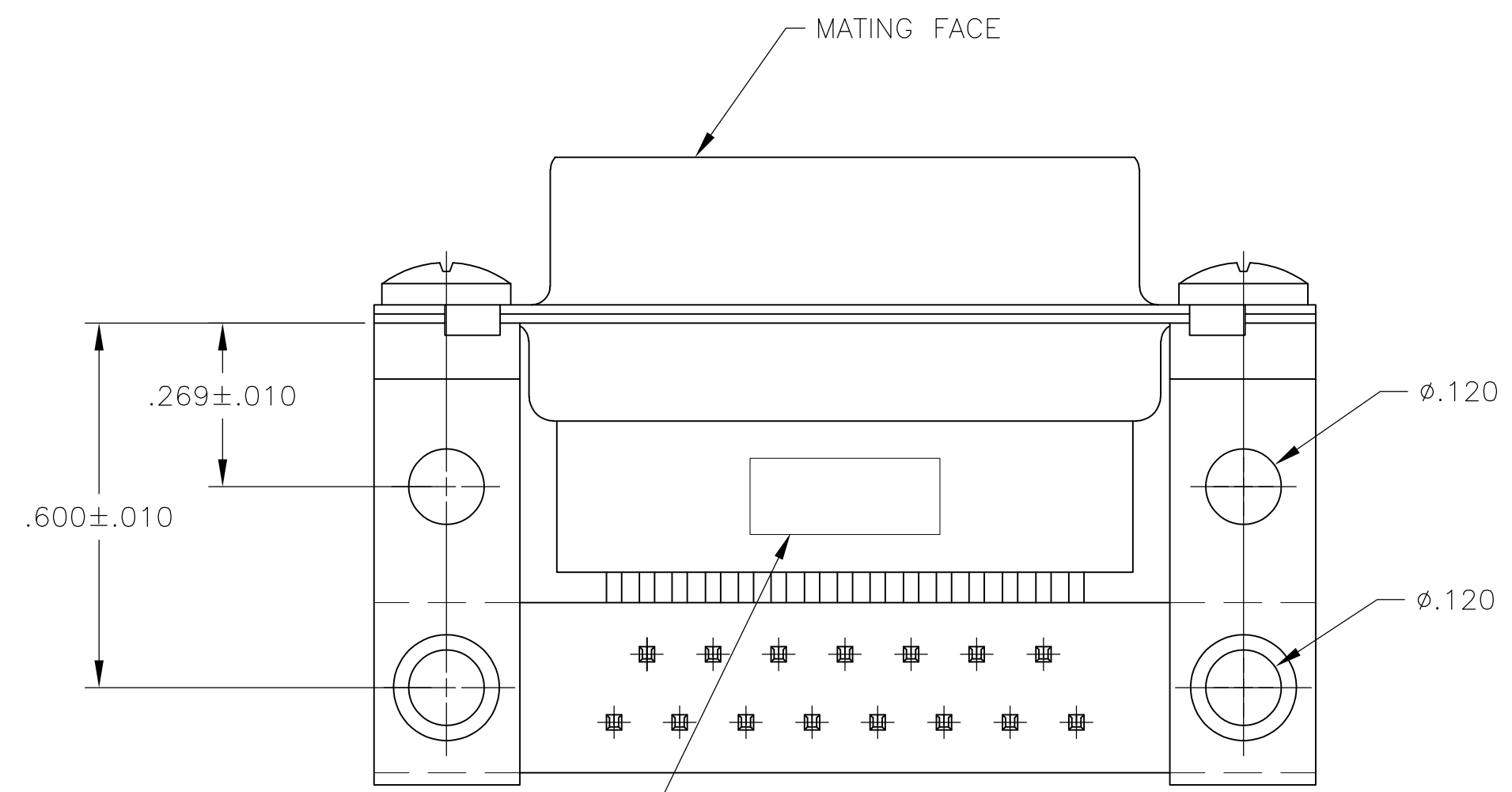


THIS DRAWING IS UNPUBLISHED. RELEASED FOR PUBLICATION  
 © COPYRIGHT 2005 By - ALL RIGHTS RESERVED.

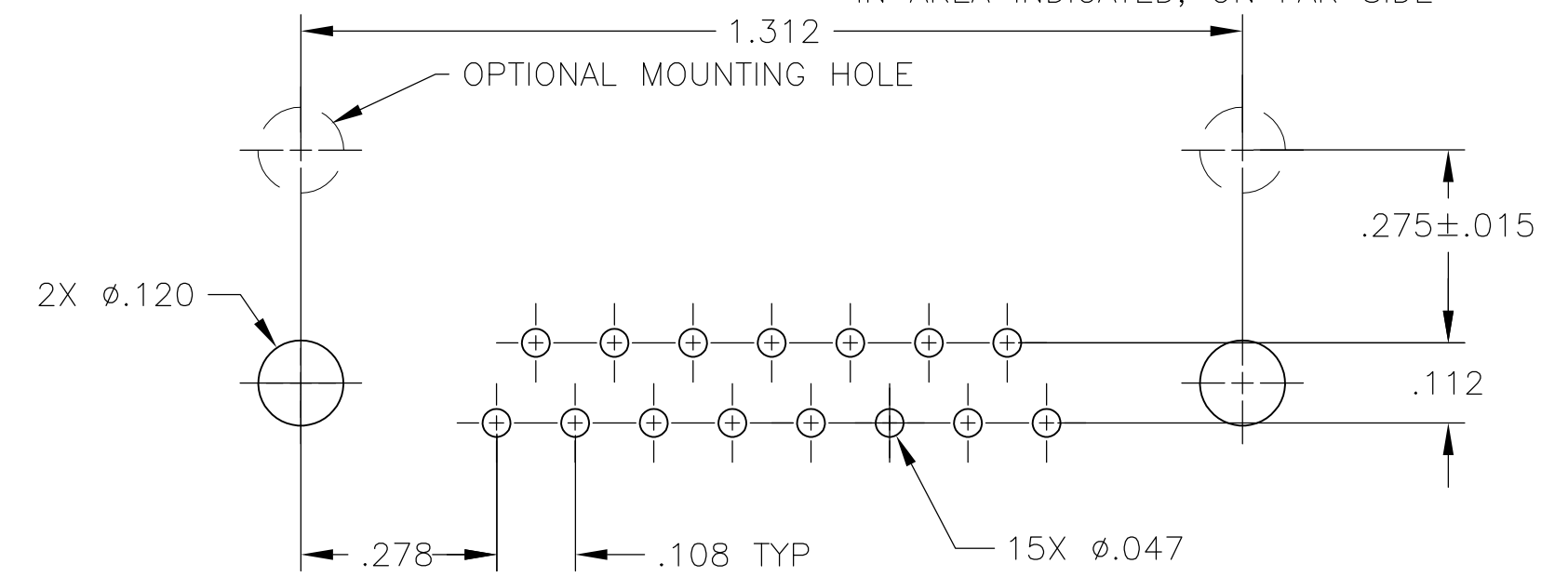
LOC		DIST		REVISIONS					
P	LTR	DESCRIPTION	DATE	DWN	APVD				
GP	00			A		REVISED PER ECO-14-011808	11AUG2014	AP	SB



- 1 MOLDED PARTS: GLASS-FILLED PBT OR GLASS-FILLED NYLON, UL94V-0 RATED. COLOR: BLACK.  
SHELLS & BRACKETS: CARBON STEEL  
CONTACTS: PHOS BRONZE
- 2 SHELLS & BRACKETS: ZINC PLATED YELLOW CHROMATE COATING.  
CONTACTS: GOLD FLASH FOR A LENGTH OF .100 MINIMUM FROM MATING END, .000100 MINIMUM TIN ON OPPOSITE END, BOTH OVER .000050 MINIMUM NICKEL.



TYCO, PART NO. & DATE CODE, MARKED IN AREA INDICATED, ON FAR SIDE



P.C. BOARD MOUNTING DIMENSIONS

5205868

5205868-1  
PART NUMBER

THIS DRAWING IS A CONTROLLED DOCUMENT.		DWN	17OCT05		TE Connectivity		
DIMENSIONS: INCHES		CHK	17OCT05		NAME		
TOLERANCES UNLESS OTHERWISE SPECIFIED:		APVD	17OCT05		PRODUCT SPEC		
0 PLC ± - 1 PLC ± - 2 PLC ± - 3 PLC ± ±.005 4 PLC ± - ANGLES ± ±2° FINISH		M.WALMSLEY			APPLICATION SPEC		
MATERIAL		114-40013		SIZE	CAGE CODE	DRAWING NO	
1		WEIGHT		A2	00779	C=5205868	
2		CUSTOMER DRAWING		SCALE	SHEET	REV	
				4:1	1 of 1	A	