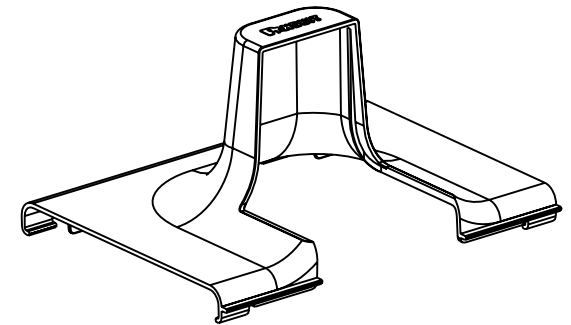
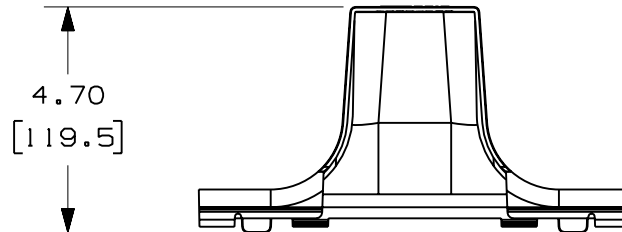
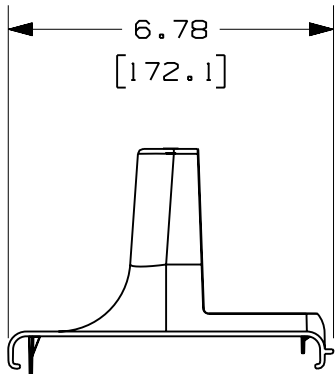
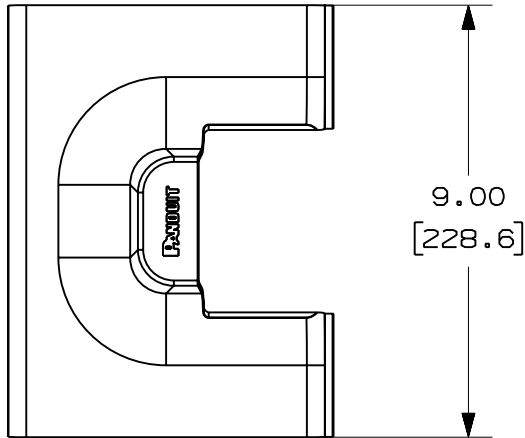


THIS COPY IS PROVIDED ON A RESTRICTED BASIS AND IS NOT TO BE USED IN ANY WAY DETRIMENTAL TO THE INTERESTS OF PANDUIT CORP.

PANDUIT PART NUMBER	WEIGHT
FRSPJC26	.32 LB/EACH (145g/EACH)

**NOTES:**

1. SEE CURRENT CATALOG FOR ADDITIONAL PART SUFFIXES TO INDICATE COLOR AND/OR PACKAGE QUANTITY.
2. DIMENSIONS IN PARENTHESES ARE IN METRIC.



ENG. REF.: D39851BX\_DC/00 FRSPJC26

CAD FILENAME/LAYERS: FRSPJC26.pdf

**PANDUIT** CORP TINLEY PARK, ILLINOIS  
 FIBERRUNNER SPILL-OVER JUNCTION  
 WITH 2x2 EXIT - FIBERRUNNER 6x4  
 CHANNEL COVER (FRSPJC26)  
 CUSTOMER DRAWING

UNLESS OTHERWISE SPECIFIED,  
 DIMENSIONAL TOLERANCES ARE:  
 (.X) ± (.XXX) ±  
 (.XX) ± .03 (.8) ANGLES ±

UNLESS OTHERWISE SPECIFIED,  
 ALL DIMENSIONS ARE GIVEN IN  
 INCHES, THIRD ANGLE PROJECTION.

DRAWN BY: MSO	MAT'L: ABS	SCALE: NONE
DATE: 7-6-09		DRAWING NO.: 39851-21
CHK'D: EB		DWG SIZE: A

REV	DATE	BY	CHK	DESCRIPTION	ECN	R	CUST	SUP	GMBH
R	7-6-09	MSO	EB	RELEASED TO PRODUCTION	39851-21	RN	RN		