

7 6 5 4 3 2 1

E

D

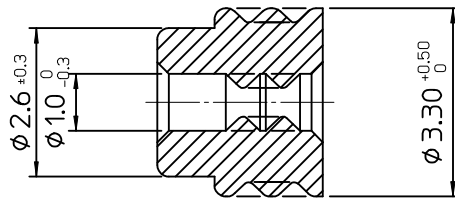
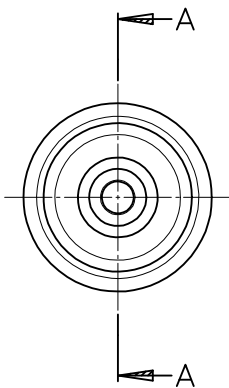
C

B

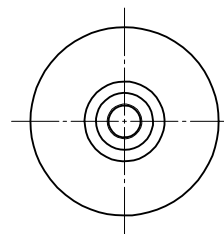
A

NOTES

1. MATERIAL: SILICONE
2. COLOR:BLACK
3. FLASH:0.2mm MAX.
4. APPLICABLE WIRE:1.1mm
5. APPLICABLE TERMINAL:104493-8041



SECTION A-A



<TABLE 1>

MATERIAL NO.	ORDER NO.
1044939001	104493-9001

NEW RELEASE EC NO: KTR2013-0014 DRW:HH1M00N 2012/11/21 CHKD: APPR:	DESCRIPTION A	QUALITY SYMBOLS	GENERAL TOLERANCES (UNLESS SPECIFIED) <table border="1"> <thead> <tr> <th></th> <th>mm</th> <th>INCH</th> </tr> </thead> <tbody> <tr> <td>4 PLACES</td> <td>± ---</td> <td>± ---</td> </tr> <tr> <td>3 PLACES</td> <td>± ---</td> <td>± ---</td> </tr> <tr> <td>2 PLACES</td> <td>± 0.10</td> <td>± ---</td> </tr> <tr> <td>1 PLACE</td> <td>± 0.15</td> <td>± ---</td> </tr> </tbody> </table> ANGULAR ± 1 ° DRAFT WHERE APPLICABLE MUST REMAIN WITHIN DIMENSIONS		mm	INCH	4 PLACES	± ---	± ---	3 PLACES	± ---	± ---	2 PLACES	± 0.10	± ---	1 PLACE	± 0.15	± ---	DIMENSION STYLE MM ONLY		SCALE 10:1	DESIGN UNITS METRIC	THIRD ANGLE PROJECTION
				mm	INCH																		
		4 PLACES		± ---	± ---																		
		3 PLACES		± ---	± ---																		
2 PLACES	± 0.10	± ---																					
1 PLACE	± 0.15	± ---																					
DRAWN BY SMKIM	DATE 2007/05/23	TITLE WIRE SEAL FOR SVM TERMINAL																					
CHECKED BY BCYOON	DATE 2007/05/23																						
APPROVED BY JYCHOI	DATE 2013/02/14	MOLEX INCORPORATED																					
MATERIAL NO. SEE TABLE 1	DOCUMENT NO. SD-104493-002				SHEET NO. 1 OF 1																		

SIZE A4

THIS DRAWING CONTAINS INFORMATION THAT IS PROPRIETARY TO MOLEX INCORPORATED AND SHOULD NOT BE USED WITHOUT WRITTEN PERMISSION

6

5

4

3

2

1

7

6

5

4

3

2

1

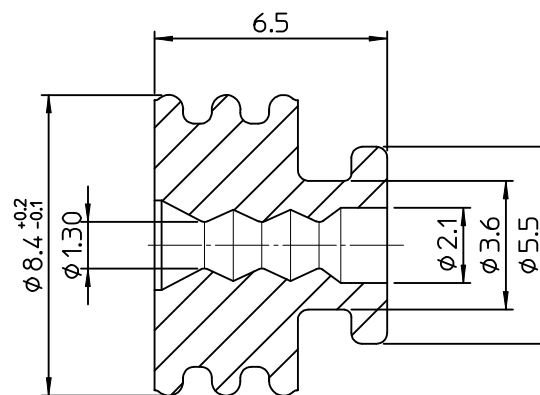
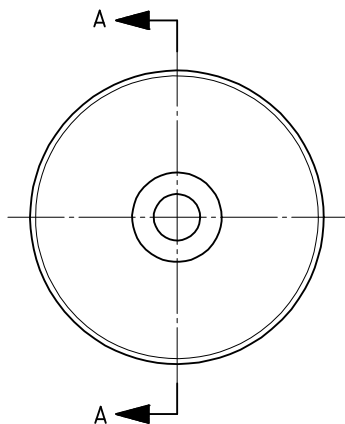
NOTES

1.MATERIAL: LUBRICATED SILICONE RUBBER,
COLOR;BALCK

2.APPLICABLE WIRE SIZE: 0.5~0.85mm²

3.APPLICABLE TERMINAL: 35477-9002,35477-9702

4.APPLICABLE SOCKET: 68147,49505



SECTION A-A

<TABLE 1>

MATERIAL NO.	ORDER NO.
495059001	49505-9001

DESIGN UNITS
METRIC

THIRD ANGLE
PROJECTION

NEW RELEASED EC NO: KOR2010-0010 DRW: EOKIM 2009/07/29 CH: KD: BCYOON 2009/07/30 APPR: YUNSIKKIM 2009/07/30	DESCRIPTION A	QUALITY SYMBOLS =0 =0	GENERAL TOLERANCES (UNLESS SPECIFIED)		DIMENSION STYLE MM ONLY		SCALE 5:1	MATERIAL NO. ORDER NO.			
				mm	INCH	DRAWN BY	DATE	TITLE			
			4 PLACES	± ---	± ---	SMKIM	2007/06/04	WIRE SEAL FOR WEDGE TERMINAL			
			3 PLACES	± ---	± ---	CHECKED BY	DATE	MOLEX INCORPORATED			
2 PLACES	± 0.15	± ---	BCYOON	2007/06/04	APPROVED BY		DATE	MATERIAL NO.	DOCUMENT NO.	SHEET NO.	
1 PLACE	± 0.2	± ---	EHJUNG	2007/06/04	ANGULAR ± 1 °		SEE TABLE1 SD-49505-009 1 OF 1				
DRAFT WHERE APPLICABLE MUST REMAIN WITHIN DIMENSIONS			THIS DRAWING CONTAINS INFORMATION THAT IS PROPRIETARY TO MOLEX INCORPORATED AND SHOULD NOT BE USED WITHOUT WRITTEN PERMISSION								

6

5

4

3

2

1