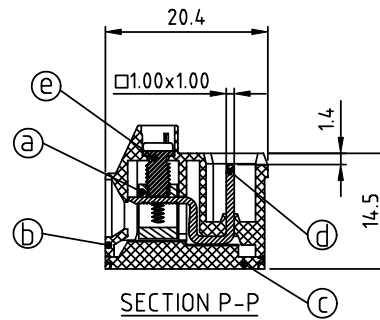
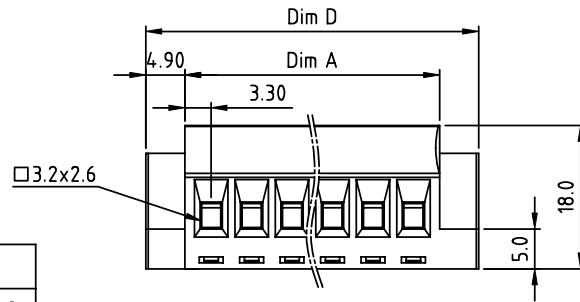
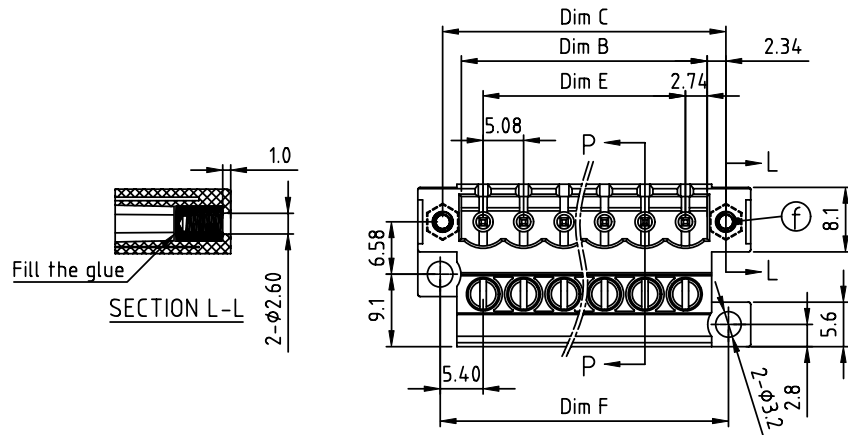


PRODUCT NUMBER	PITCH
V5xx51x100J0G	5.08 mm



Material:

- Item ㉑ Clamp: Brass Ni plated
- Item ㉒ Terminal(housing): Thermoplastic (UL94 V-0)
- Item ㉓ Terminal(cover): Thermoplastic (UL94 V-0)
- Item ㉔ Pin: Brass, Tin plated.
- Item ㉕ Terminal screw: Steel Zinc plating solt "-"type M3
- Item ㉖ With flange nut: Brass M2.5

Electrical:

- Voltage rating:300V
- Current rating: 12A
- Wire range:
- Solid wire(AWG):12-30
- Stranded wire(AWG):12-30
- Torque(Lb-In):4.4
- Screw:M3
- Wire strip length: 6-7 mm
- Withstanding Voltage: 1.6KV
- Operating temperature: -40°C to +115°C
- Safety Approval:

DIMENSION

Dim A	Nx5.08+1.52
Dim B	(N-1)x5.08+5.48
Dim C	(N-1)x5.08+10.16
Dim D	Nx5.08+11.32
Dim E	(N-1)x5.08
Dim F	(N-1)x5.08+10.8

N=Number of poles

Poles	Tolerance
2P-6P	±0.20
7P-12P	±0.25
13P-18P	±0.30
19P-24P	±0.40

PART NO.: V5 xx 51 x 1 00J0 G

	Color	RoHS compliant (lead<4%) In copper Alloy
Solid block	0 Black (RAL9005)	
No. of poles	2 Red (RAL3001/D)	
02 2 poles	3 Orange(RAL2011/P)	
03 3 poles	4 Yellow(RAL1018/A)	
...	5 Green(RAL6018/T)	
24 24 poles	6 Blue (RAL5015/A)	
	8 Grey(RAL7035/D)	
	9 White(RAL1102)	
	C Green(RAL6018/U)	

mat'l. code		surface ASME Y14.5	tolerance ASME Y14.5	projection	product family
ltr ecn no dr date		tolerances unless otherwise specified			TERMINAL BLOCK
		angles	X.±0.5	MM	title
		FILE	X.X±0.3		TERMINAL BLOCK PLUGGABLE PLUG, WITH FLANGE, BOTTOM COVER FIXED TYPE
		X*±1"	X.XX±0.1	scale	dwg no
		dr	EVIN ZHONG 050414		sheet 1 of 1
		enr	EVIN ZHONG 050414		size
		chr	HANKE FENG 050414		V5xx51x100J0G
		appd	SHI JUN 050414		A4
sheet index	revision sheet	A	1		type CUSTOMER Drawing