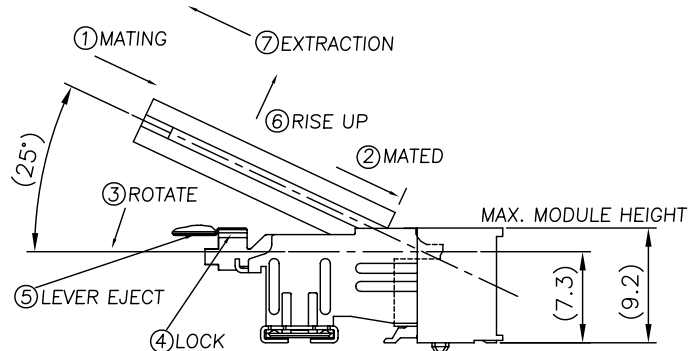
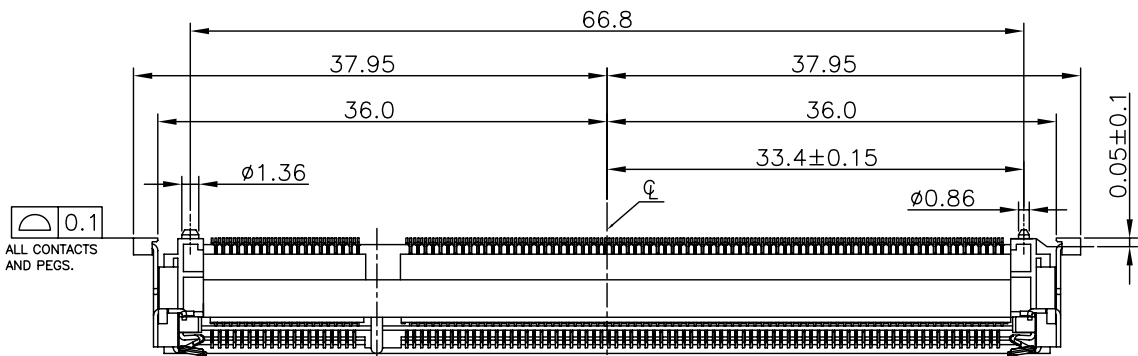


THIS DRAWING IS UNPUBLISHED. RELEASED FOR PUBLICATION AUG, 2006.  
 © COPYRIGHT BY TYCO ELECTRONICS CORPORATION. ALL RIGHTS RESERVED.

LOC	DIST	REVISIONS				
P	LTR	DESCRIPTION	DATE	DWN	APVD	
DW	-	D2	ECR-09-007625, Correct general tolerance	03APR09	EL	WK

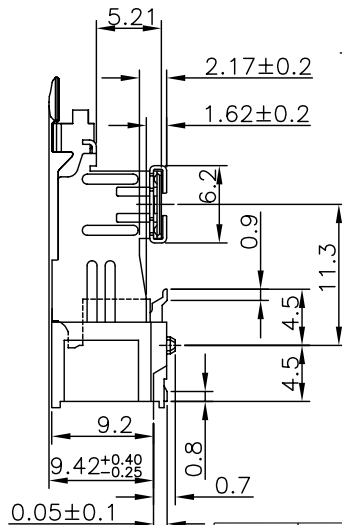
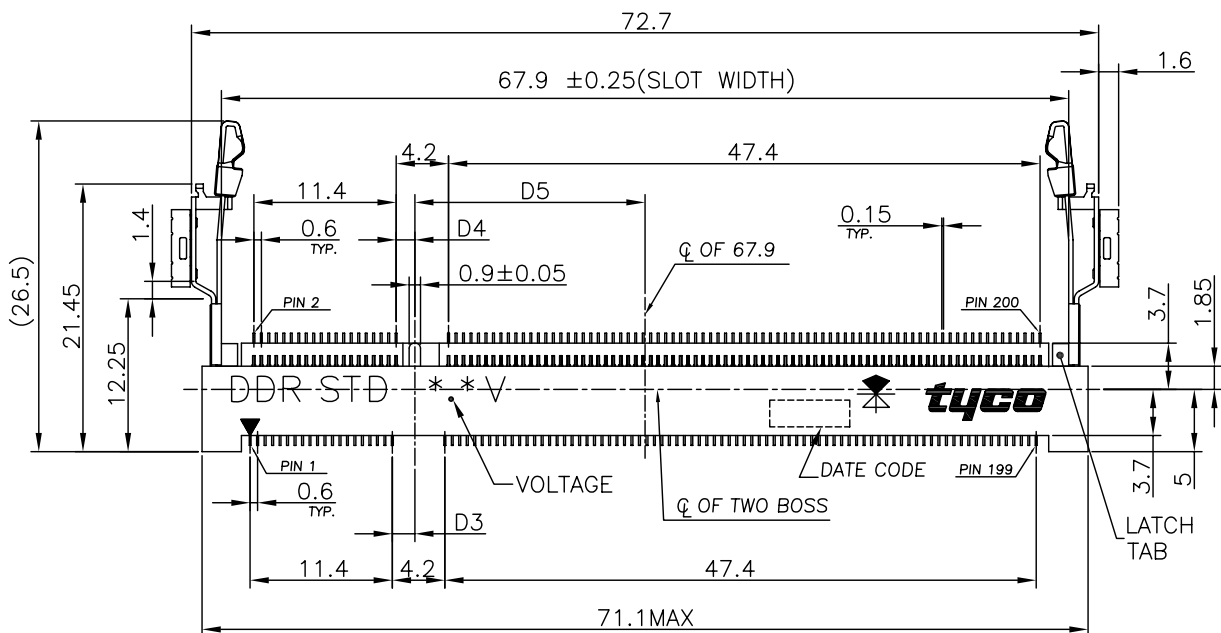
D

D



C

C



HOW TO MATE AND UNMATE  
 MATE: ① → ④  
 UNMATE: ⑤ → ⑦

B

B

NOTE:  
 1.MATERIAL:  
 HOUSING: THERMOPLASTIC(LCP), BLACK COLOR UL94V-0  
 CONTACT: COPPER-ZINC-TIN.  
 LATCH: STAINLESS STEEL  
 SOLDER PEG: BRASS

2.FINISH:  
 CONTACT:  
 0.05μm[2μ"]MIN. GOLD PLATED OR  
 0.76μm[30μ"]MIN. GOLD PLATED ON CONTACT AREA,  
 0.38μm[15μ"]MIN. GOLD PLATED ON CONTACT AREA,  
 0.05μm[2μ"]MIN. GOLD PLATED ON SOLDER TAIL,  
 1.27μm[50μ"]MIN. NICKEL UNDERPLATING ALL OVER.  
 SOLDER PEG:  
 2.03μm[80μ"]MIN. BRIGHT TIN PLATED,  
 1.27μm[50μ"]MIN. NICKEL UNDERPLATING ALL OVER.

3. REFLOW SOLDER CAPABLE TO 260°C PER TE SPEC. 109-201, CONDITION B.

STANDARD TYPE

WITHOUT	1.8	17.55	2.4	2.7	TAPE REEL	Δ2-1734073-5
					TAPE REEL	Δ2-1734073-3
					TAPE REEL	2-1734073-1
					HARD TRAY	1-1734073-1
					TAPE REEL	4-1734073-1
					HARD TRAY	3-1734073-1
LATCH TAB	VOLTAGE	D5	D4	D3	PACKAGE TYPE	PART NUMBER

A

A

THIS DRAWING IS A CONTROLLED DOCUMENT.

DWN	S. HOU	06SEP2007	Tyco Electronics Corporation Taipei, Taiwan		
CHK	W.J. KE	06SEP2007	Tyco Electronics		
APVD	W.J. KE	06SEP2007	NAME		
PRODUCT SPEC			108-57382		
QUALIFICATION TEST REPORT			501-57415		
WEIGHT			5.2 GRAMS		
CUSTOMER DRAWING			A3 00779 C=1734073		
SCALE			SHEET 1 OF 7		
REV			D2		

4

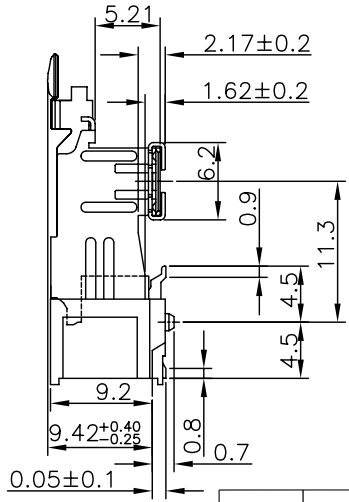
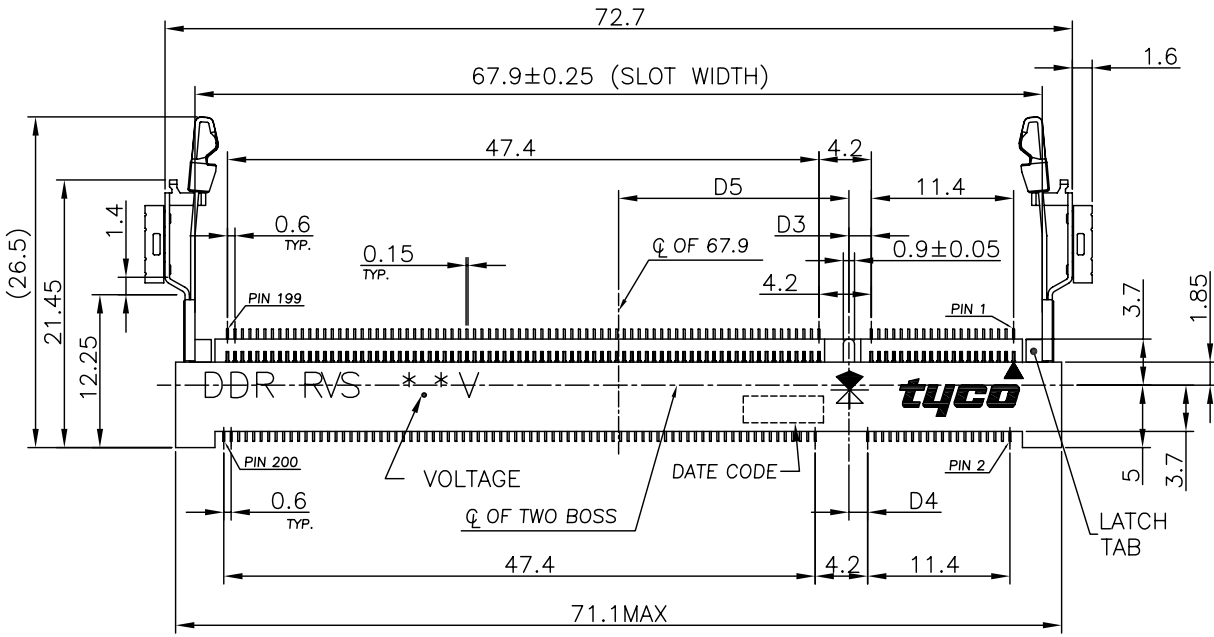
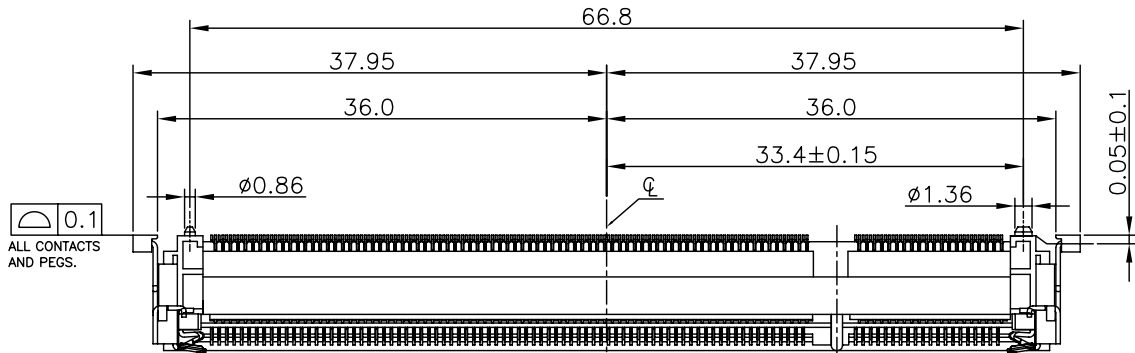
3

2

1

THIS DRAWING IS UNPUBLISHED. RELEASED FOR PUBLICATION AUG, 2006.  
 © COPYRIGHT BY TYCO ELECTRONICS CORPORATION. ALL RIGHTS RESERVED.

LOC	DIST	REVISIONS			
P	LTR	DESCRIPTION	DATE	DWN	APVD
DW	-	SEE SHEET 1			



REVERSE TYPE

WITHOUT	VOLTAGE	D5	D4	D3	PACKAGE TYPE	PART NUMBER
1.8	17.55	2.4	2.7		TAPE REEL	A2-1734073-6
					TAPE REEL	A2-1734073-4
					TAPE REEL	2-1734073-2
					HARD TRAY	1-1734073-2
2.5	18.45	1.5	1.8		TAPE REEL	4-1734073-2
					HARD TRAY	3-1734073-2

THIS DRAWING IS A CONTROLLED DOCUMENT.

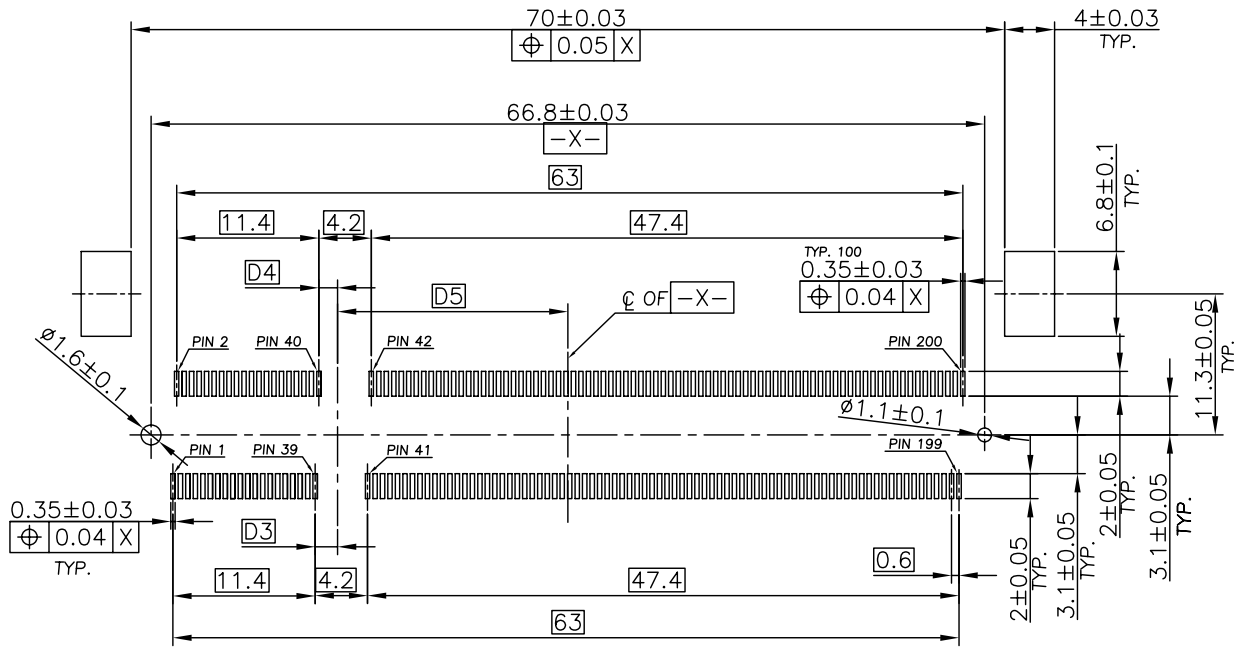
DWN	S. HOU	06SEP2007	Tyco Electronics Corporation Taipei, Taiwan	
CHK	W.J. KE	06SEP2007	NAME	
APVD	W.J. KE	06SEP2007	PRODUCT SPEC	
QUALIFICATION TEST REPORT			-	
MATERIAL	SEE NOTE	FINISH	SEE NOTE	
WEIGHT			5.2 GRAMS	
CUSTOMER DRAWING			A3 00779	G=1734073

DDR S.O. DIMM SOCKET, 200P, 9.2 HEIGHT, SMT.

SIZE	CAGE CODE	DRAWING NO	RESTRICTED TO
			-
SCALE	SHEET	REV	
-	2 OF 7	D2	

THIS DRAWING IS UNPUBLISHED. RELEASED FOR PUBLICATION AUG ,2006.  
 © COPYRIGHT BY TYCO ELECTRONICS CORPORATION. ALL RIGHTS RESERVED.

LOC	DIST	REVISIONS					
DW	-	P	LTR	DESCRIPTION	DATE	DWN	APVD
				SEE SHEET 1			



RECOMMENDED PCB LAYOUT  
CONNECTOR MOUNTING SIDE

STANDARD TYPE

18.45	1.5	1.8	2.5V
17.55	2.4	2.7	1.8V
D5	D4	D3	PWR. SUP.

THIS DRAWING IS A CONTROLLED DOCUMENT.		DWN S. HOU 06SEP2007	Tyco Electronics Corporation Taipei, Taiwan	
DIMENSIONS: MM		CHK W.J. KE 06SEP2007	NAME	
TOLERANCES UNLESS OTHERWISE SPECIFIED:		APVD W.J. KE 06SEP2007	DDR S.O. DIMM SOCKET, 200P, 9.2 HEIGHT, SMT.	
<ul style="list-style-type: none"> <li>0 PLC ± -</li> <li>1 PLC ± 0.3</li> <li>2 PLC ± 0.25</li> <li>3 PLC ± 0.13</li> <li>4 PLC ± -</li> <li>ANGLES ± 3'</li> </ul>		PRODUCT SPEC	QUALIFICATION TEST REPORT	
MATERIAL SEE NOTE		FINISH SEE NOTE	WEIGHT -	RESTRICTED TO -
		CUSTOMER DRAWING	SIZE A3	CAGE CODE 00779
			DRAWING NO G=1734073	SCALE -
			SHEET 3 OF 7	REV D2

THIS DRAWING IS UNPUBLISHED.

RELEASED FOR PUBLICATION

AUG ,2006.

© COPYRIGHT BY TYCO ELECTRONICS CORPORATION.

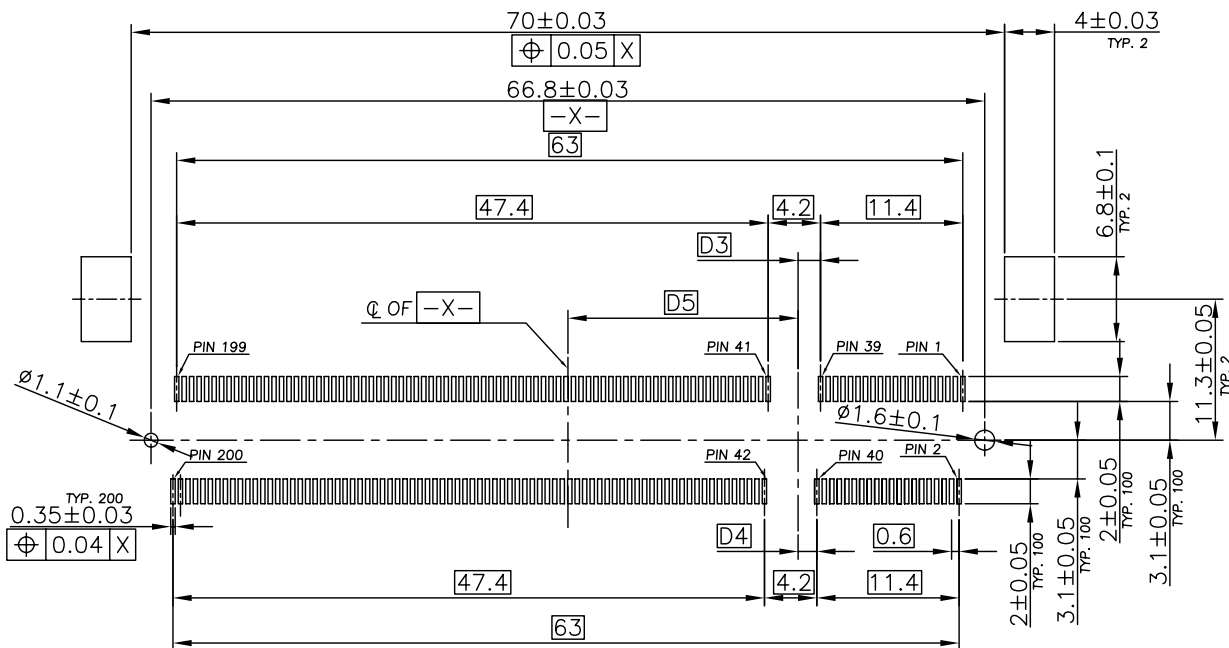
ALL RIGHTS RESERVED.

LOC DW

DIST -

REVISIONS

P	LTR	DESCRIPTION	DATE	DWN	APVD
		SEE SHEET 1			



RECOMMENDED PCB LAYOUT  
CONNECTOR MOUNTING SIDE

REVERSE TYPE

18.45	1.5	1.8	2.5V
17.55	2.4	2.7	1.8V
D5	D4	D3	PWR. SUP.

THIS DRAWING IS A CONTROLLED DOCUMENT.

DWN S. HOU 06SEP2007

CHK W.J. KE 06SEP2007

APVD W.J. KE 06SEP2007

PRODUCT SPEC

QUALIFICATION TEST REPORT

WEIGHT

CUSTOMER DRAWING

Tyco Electronics Corporation  
Taipei, Taiwan

NAME  
DDR S.O. DIMM SOCKET,  
200P, 9.2 HEIGHT, SMT.

SIZE A3 CAGE CODE 00779 DRAWING NO. C=1734073 RESTRICTED TO

DIMENSIONS:

MM



TOLERANCES UNLESS OTHERWISE SPECIFIED:

- 0 PLC ± -
- 1 PLC ± 0.3
- 2 PLC ± 0.25
- 3 PLC ± 0.13
- 4 PLC ± -
- ANGLES ± 3'

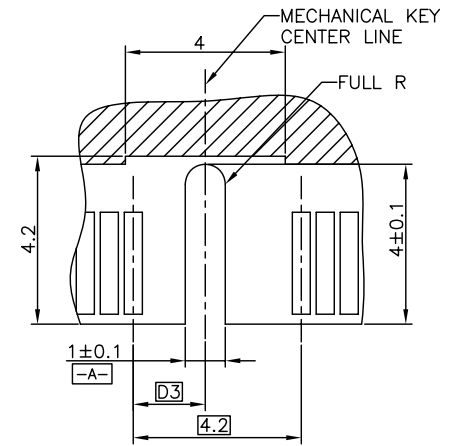
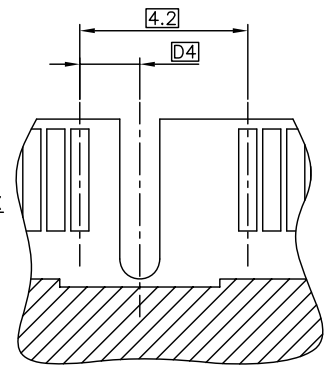
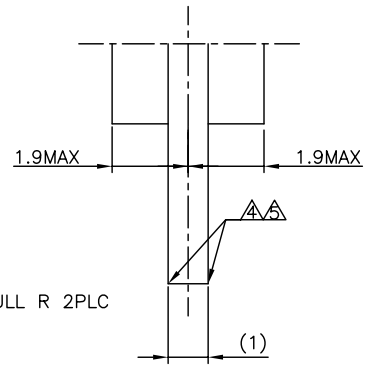
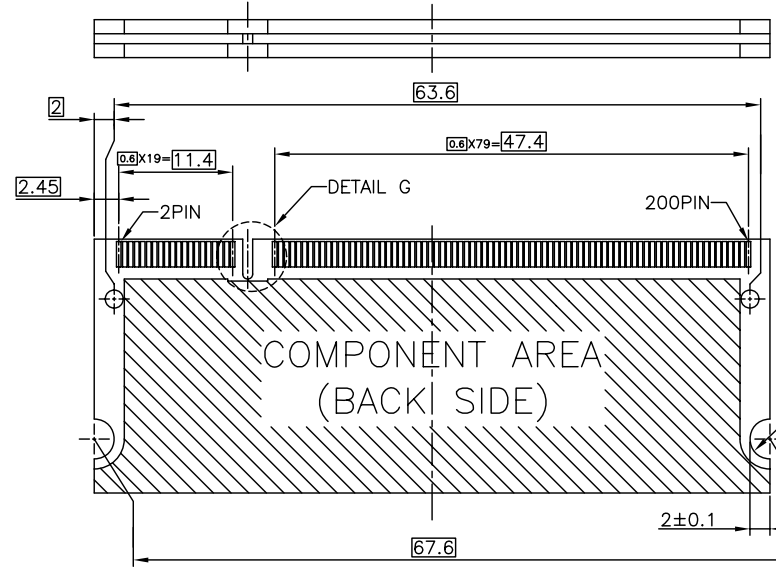
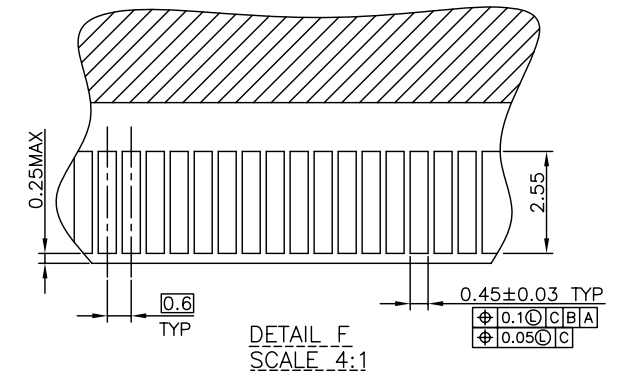
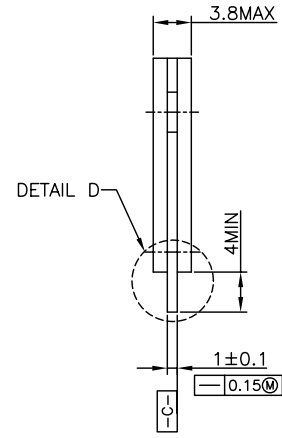
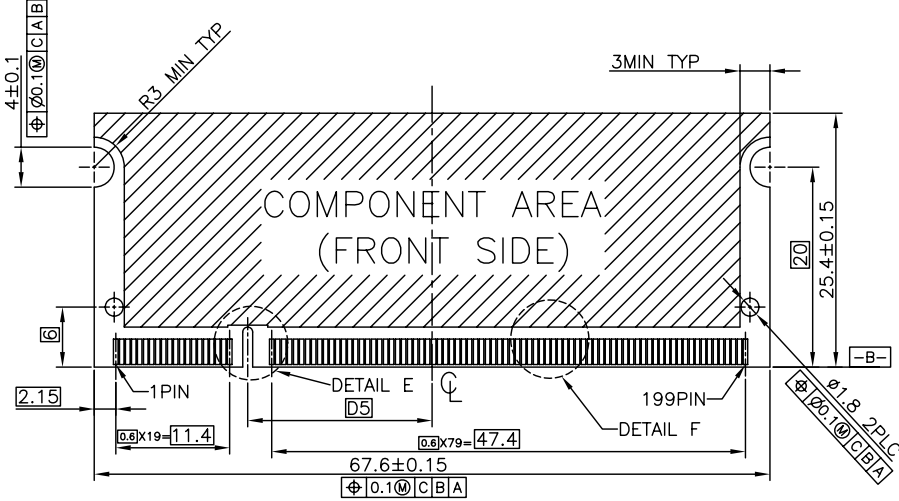
MATERIAL  
SEE NOTE

FINISH  
SEE NOTE

SCALE - SHEET 4 OF 7 REV D2

LOC	DIST	REVISIONS			
P	LTR	DESCRIPTION	DATE	DWN	APVD
DW	-	SEE SHEET 1			

RECOMMENDED MATING P.C.B CONFIGURATION



DETAIL D SCALE 4:1

DETAIL G SCALE 4:1 (BACK SIDE)

DETAIL E SCALE 4:1 (FRONT SIDE)

- NOTE:  
 (APPLIED TO SHEET 3)  
 1. TOLERANCES ON ALL DIMENSIONS ±0.15 UNLESS OTHERWISE SPECIFIED.  
 2. P.C.BOARD THICKNESS APPLIES ACROSS TABS AND INCLUDES PLATING AND/OR MENTAIZATION.  
 3. FINISH OF PAD:GOLD PLATING 0.00076MIN OVER ON PLATING 0.002MIN.  
 ⚠ NO BURR  
 ⚠ CHAMFER 0.25MAX X45° IF EXIST.

THIS DRAWING IS A CONTROLLED DOCUMENT.		DWN S. HOU 06SEP2007	Tyco Electronics Corporation Taipei, Taiwan	
DIMENSIONS: MM		CHK W.J. KE 06SEP2007	NAME	
TOLERANCES UNLESS OTHERWISE SPECIFIED:		APVD W.J. KE 06SEP2007	PRODUCT SPEC	
0 PLC ± - 1 PLC ± 0.3 2 PLC ± 0.25 3 PLC ± 0.13 4 PLC ANGLES ± 3°		QUALIFICATION TEST REPORT		
MATERIAL SEE NOTE		FINISH SEE NOTE		
		WEIGHT -		
		SIZE A3 CAGE CODE 00779 C=1734073		
		DRAWING NO 1734073		
		RESTRICTED TO -		
		CUSTOMER DRAWING		
		SCALE - SHEET 5 OF 7 REV D2		

4

3

2

1

THIS DRAWING IS UNPUBLISHED.

RELEASED FOR PUBLICATION

AUG ,2006.

© COPYRIGHT BY TYCO ELECTRONICS CORPORATION.

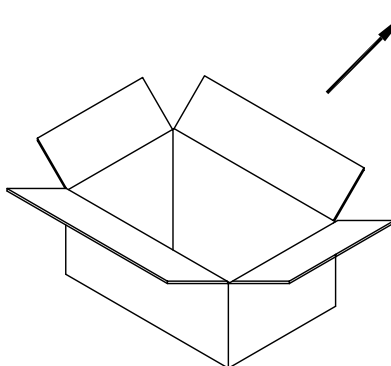
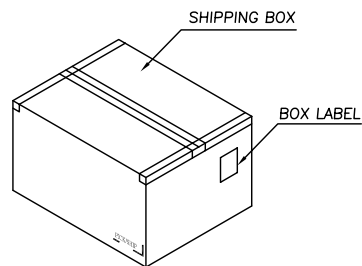
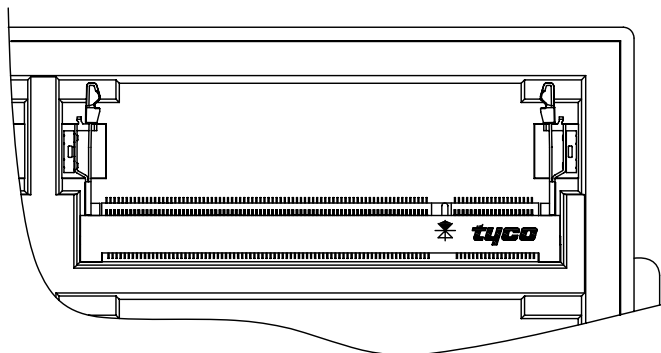
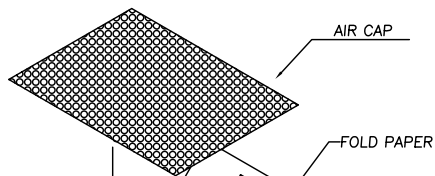
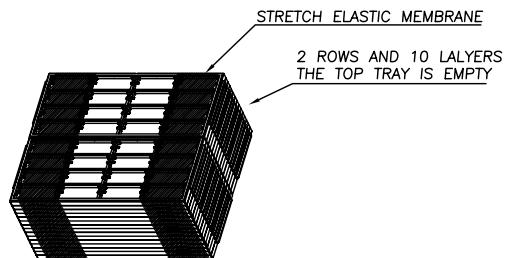
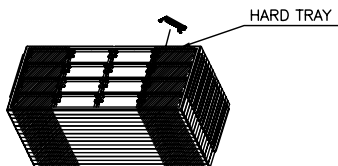
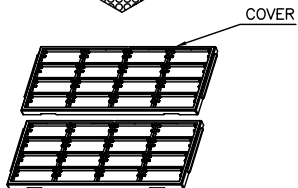
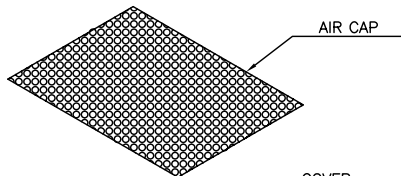
ALL RIGHTS RESERVED.

LOC DW

DIST

REVISIONS

P	LTR	DESCRIPTION	DATE	DWN	APVD
		SEE SHEET 1			



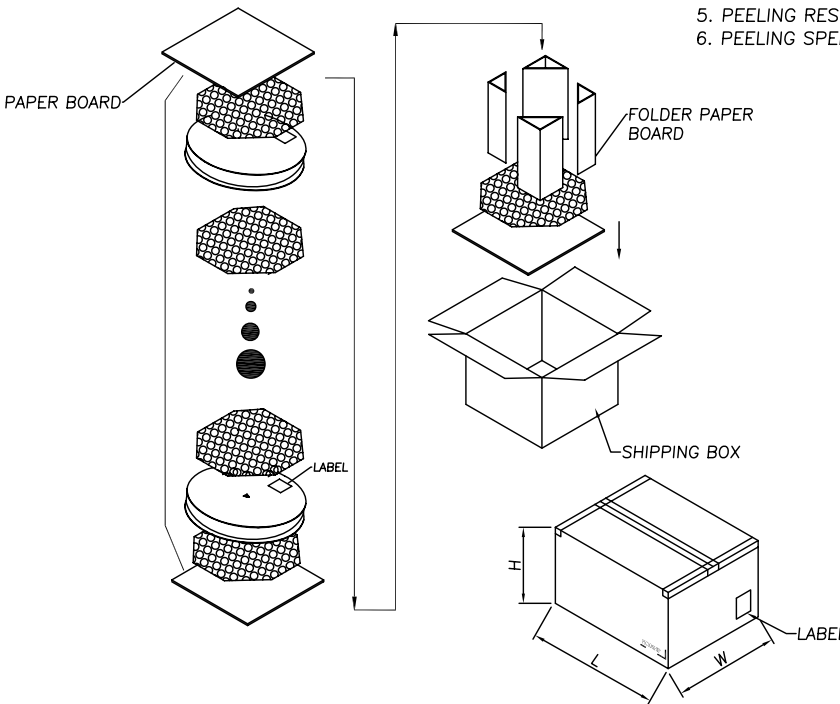
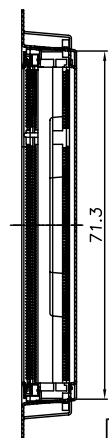
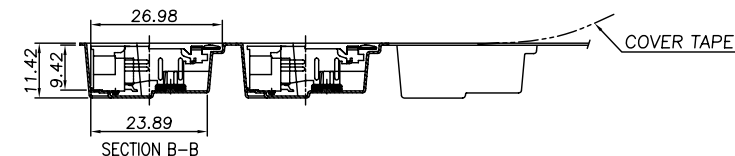
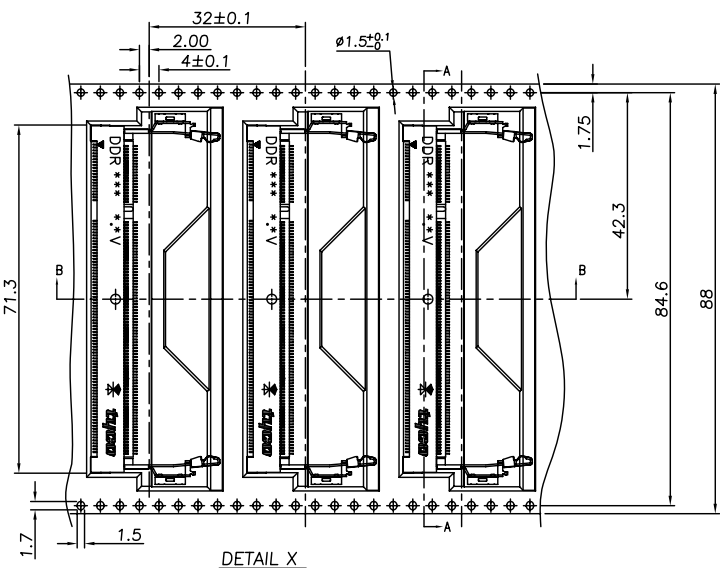
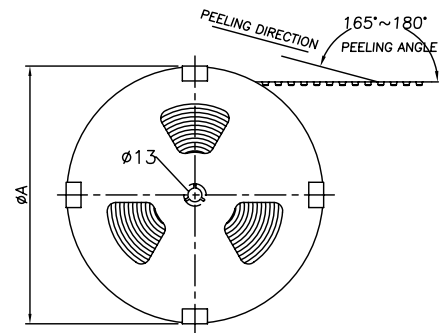
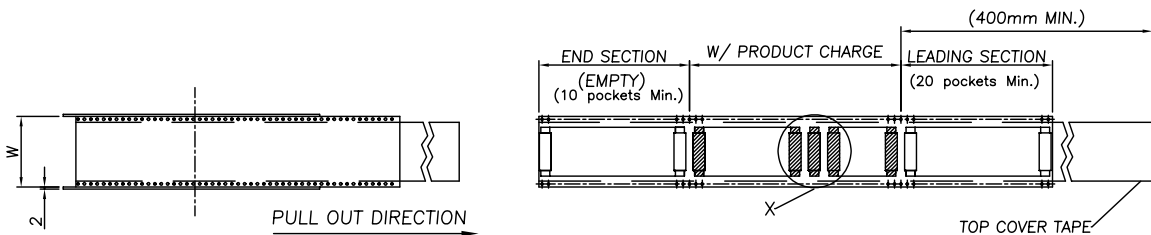
NOTES :

- 1. MATERIAL:
  - 1.1 TRAY: ABS, BLACK COLOR
  - 1.2 SHIPPING BOX: CORRUGATED FIBERBOARD
- 2. DIMENSION:
  - 2.1 TRAY: L=338.95, W=139, H=16.9
  - 2.1 SHIPPING BOX: L=360, W=300, H=195
- 3. QUANTITY:
  - 3.1 PRIMARY PACKING: 16 PCS/TRAY
  - 3.2 SECONDARY PACKING: 20 TRAY/BOX(320PCS)
- 4. WEIGHT:
  - 4.1 NET WEIGHT: 1.664Kg
  - 4.2 GROSS WEIGHT: 8.0Kg

THIS DRAWING IS A CONTROLLED DOCUMENT.		DWN S. HOU	06SEP2007	Tyco Electronics Corporation Tapei, Taiwan	
DIMENSIONS: MM		CHK W.J. KE	06SEP2007	NAME	
TOLERANCES UNLESS OTHERWISE SPECIFIED:		APVD W.J. KE	06SEP2007	DDR S.O. DIMM SOCKET, 200P, 9.2 HEIGHT, SMT.	
0 PLC ± -		PRODUCT SPEC		QUALIFICATION TEST REPORT	
1 PLC ± -		-		-	
2 PLC ± -		-		-	
3 PLC ± -		-		-	
4 PLC ± -		-		-	
ANGLES ± -		-		-	
MATERIAL SEE NOTE		WEIGHT -		SIZE A3	
FINISH SEE NOTE		CUSTOMER DRAWING		CAGE CODE 00779	
				DRAWING NO C=1734073	
				RESTRICTED TO -	
				SCALE - SHEET 6 OF 7 REV D2	

THIS DRAWING IS UNPUBLISHED. RELEASED FOR PUBLICATION AUG, 2006.  
 © COPYRIGHT BY TYCO ELECTRONICS CORPORATION. ALL RIGHTS RESERVED.

LOC	DIST	REVISIONS			
P	LTR	DESCRIPTION	DATE	DWN	APVD
DW	—	SEE SHEET 1			



- NOTES:
- MATERIAL :
    - EMBOSSSED CARRIER: PS
    - COVER TAPE: PS
    - SHIPPING BOX: CORRUGATED FIBER
  - DIMENSION :
    - REEL: W=89.4, øA=330
    - SHIPPING BOX: L=335, W=335, H=248
  - QUANTITY :
    - PRIMARY PACKING: 150PCS/REEL
    - SECONDARY PACKING: 2 REELS/BOX(300PCS)
  - WEIGHT :
    - NET WEIGHTH: 0.78Kg/REEL, 1.56Kg/BOX.
    - GROSS WEIGHTH: 1.2Kg/REEL, 5.0Kg/BOX.
  - PEELING RESISTANCE: 0.1~0.7N(10.2gf~71.4gf).
  - PEELING SPEED: 300mm/minutes.

THIS DRAWING IS A CONTROLLED DOCUMENT.		DWN S. HOU	06SEP2007	Tyco Electronics Corporation Taipei, Taiwan	
		CHK W.J. KE	06SEP2007		
		APVD W.J. KE	06SEP2007	NAME DDR S.O. DIMM SOCKET, 200P, 9.2 HEIGHT, SMT.	
		PRODUCT SPEC		QUALIFICATION TEST REPORT	
		WEIGHT		RESTRICTED TO	
MATERIAL SEE NOTE		FINISH SEE NOTE		SIZE A3	CAGE CODE 00779
		CUSTOMER DRAWING		DRAWING NO G=1734073	
		SCALE		SHEET 7 of 7	REV D2