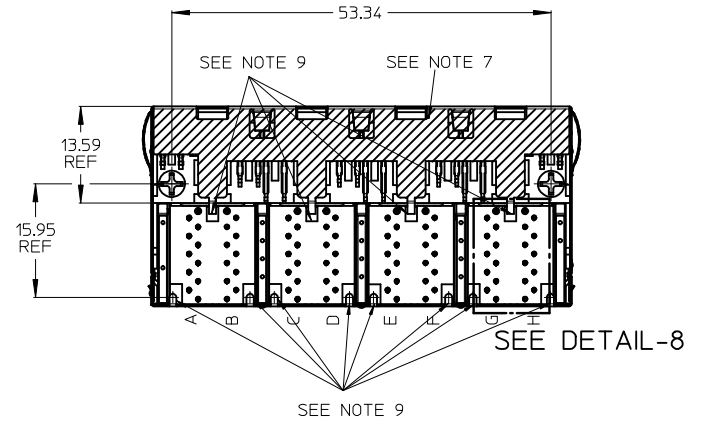
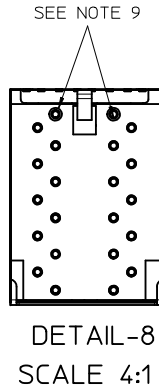
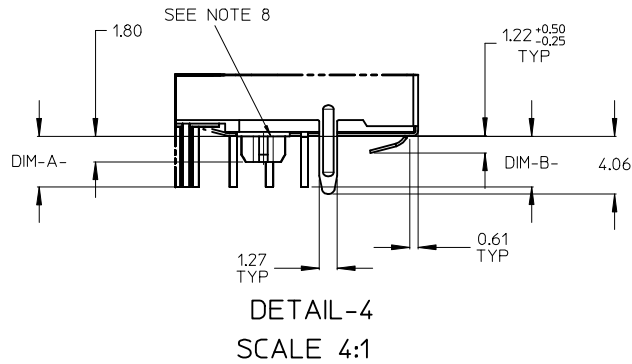
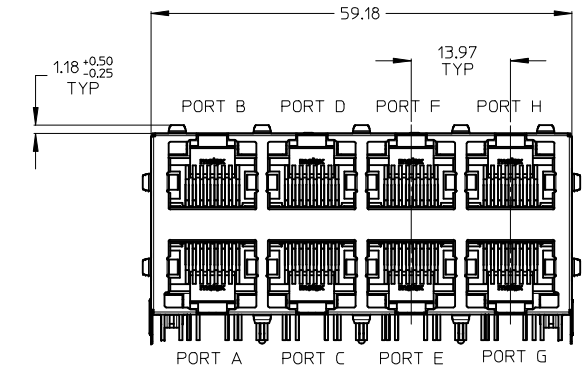
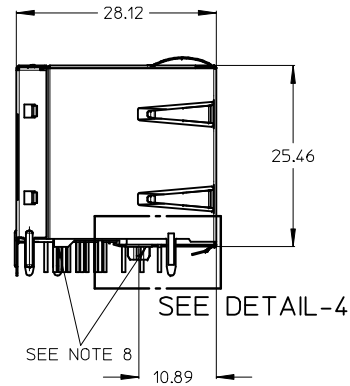


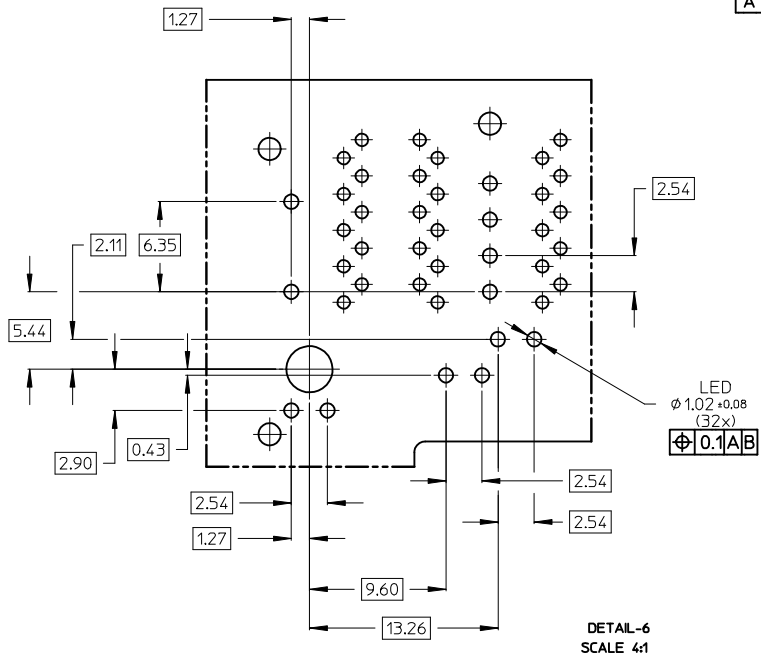
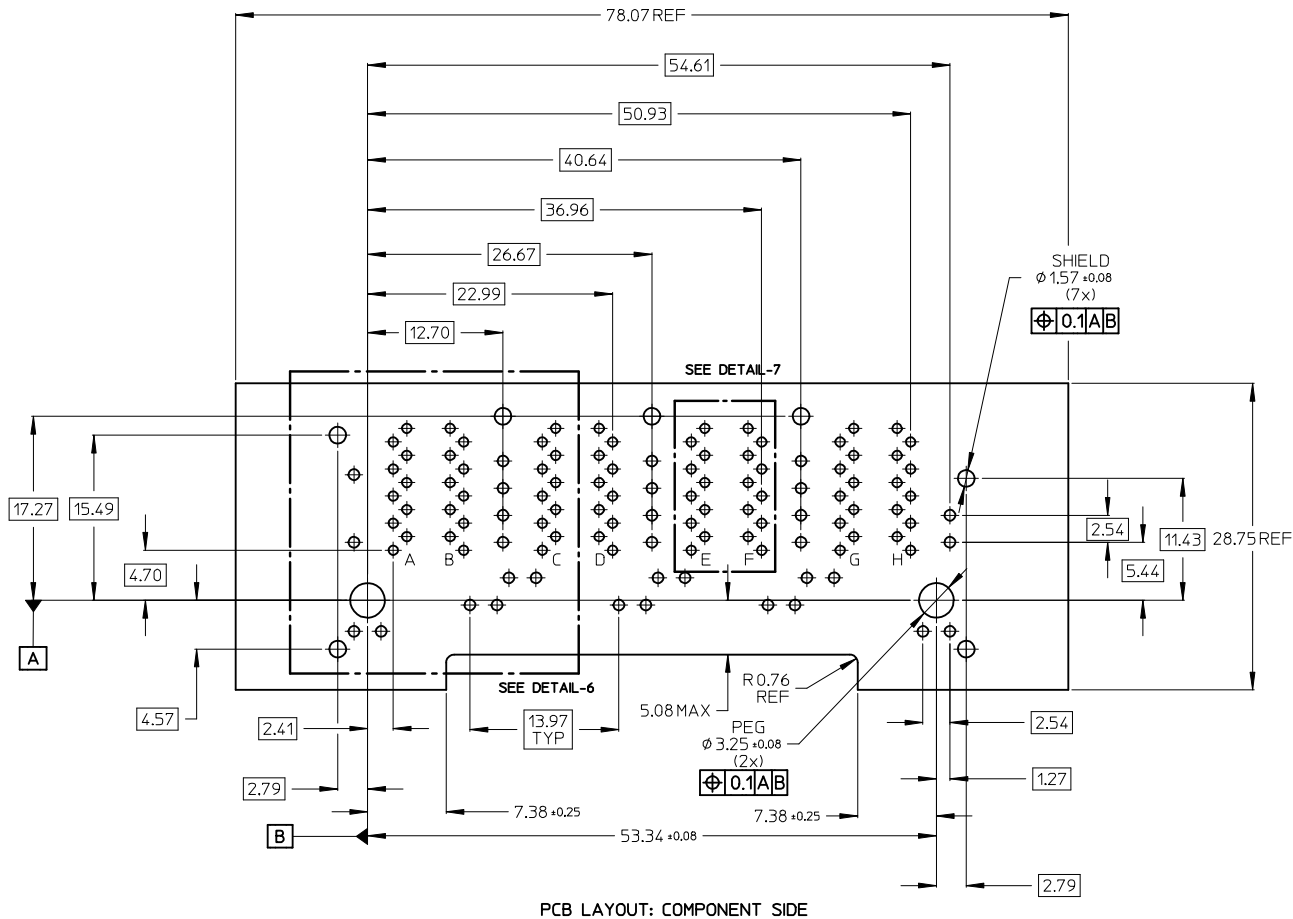
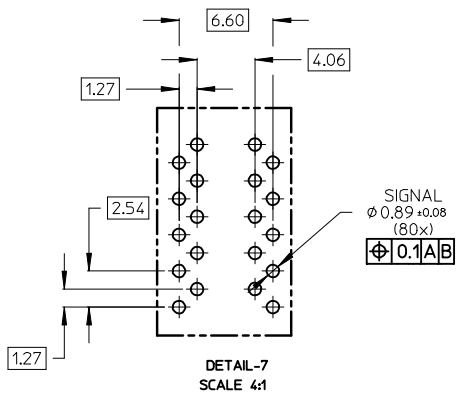
GIGABIT MAGNETIC JACK 2x4 LED



NOTES:

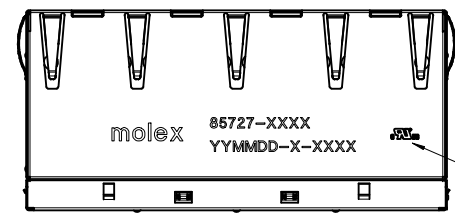
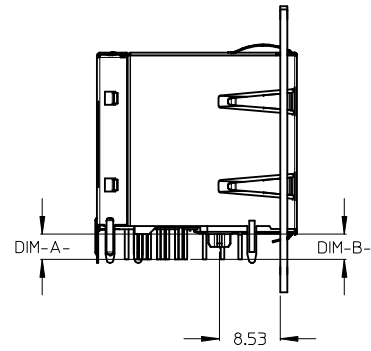
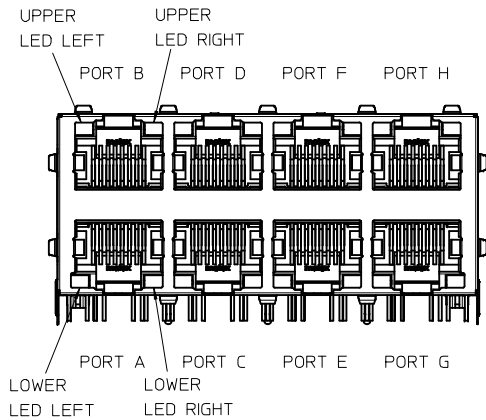
- 1 - SHIELD MATERIAL: BRASS, PLATING: NICKEL PRE-PLATING
- 2 - PLASTIC MATERIAL: POLYESTER (PBT)BLACK, 30%GR, UL 94V-0
- 3 - RJ45 TERMINALS MATERIAL: COPPER ALLOY
CONTACT AREA PLATING: 0.76 MICROMETER GOLD OVER 1.9 MICROMETER NICKEL
PHY TERMINALS: TIN PLATED
- 4 - MATING INTERFACE ACCORDING TO IEC 60603-7
- 5 - PRODUCT SPECIFICATION: PS-85728-001
- 6 - PACKAGING SPECIFICATION: PK-85727-001
- 7 - TRACES WITHOUT INSULATION NOT ALLOWED IN THE DASHED AREAS.
(TO AVOID SHORTS TO SHIELD)
- 8 - STAND OFF TO SYSTEM BOARD
- 9 - STUBBED PINS AND SHIELD LATCHES AVOID TO ROUTE TRACES OR TO PLACE ANY
VIAS OR PADS BELOW THESE PINS
- 10 - FOR MAGNETIC AND LED INFORMATION SEE SPEC PS-85728-001

NO CHANGE IEC NO: 2015/10/02 DRWN: JBADER CHKD: MMANGARUDOV 2015/10/02 APPR: SSTE INKE 2015/11/16	DESCRIPTION GIGABIT MAGNETIC JACK 2X4 LED	QUALITY SYMBOLS ▽=0 ▽=0		GENERAL TOLERANCES (UNLESS SPECIFIED) <table border="1"> <thead> <tr> <th></th> <th>mm</th> <th>INCH</th> </tr> </thead> <tbody> <tr> <td>4 PLACES</td> <td>± ---</td> <td>± ---</td> </tr> <tr> <td>3 PLACES</td> <td>± ---</td> <td>± ---</td> </tr> <tr> <td>2 PLACES</td> <td>± 0.25</td> <td>± ---</td> </tr> <tr> <td>1 PLACE</td> <td>± 0.5</td> <td>± ---</td> </tr> <tr> <td colspan="2">ANGULAR</td> <td>± .5 °</td> </tr> </tbody> </table>			mm	INCH	4 PLACES	± ---	± ---	3 PLACES	± ---	± ---	2 PLACES	± 0.25	± ---	1 PLACE	± 0.5	± ---	ANGULAR		± .5 °	DIMENSION STYLE MM ONLY		SCALE 2:1	DESIGN UNITS METRIC	THIRD ANGLE PROJECTION
			mm	INCH																								
		4 PLACES	± ---	± ---																								
		3 PLACES	± ---	± ---																								
2 PLACES	± 0.25	± ---																										
1 PLACE	± 0.5	± ---																										
ANGULAR		± .5 °																										
		DRAWN BY: MMANGARUDOV DATE: 2010/05/07	TITLE GIGABIT MAGNETIC JACK 2X4 LED																									
		CHECKED BY: JBADER DATE: 2010/05/10																										
		APPROVED BY: SSTE INKE DATE: 2012/04/24																										
		MATERIAL NO. SEE SHEET 3		DOCUMENT NO. SD-85727-001		SHEET NO. 1 OF 4																						
		DRAFT WHERE APPLICABLE MUST REMAIN WITHIN DIMENSIONS																										
		THIS DRAWING CONTAINS INFORMATION THAT IS PROPRIETARY TO MOLEX INCORPORATED AND SHOULD NOT BE USED WITHOUT WRITTEN PERMISSION																										

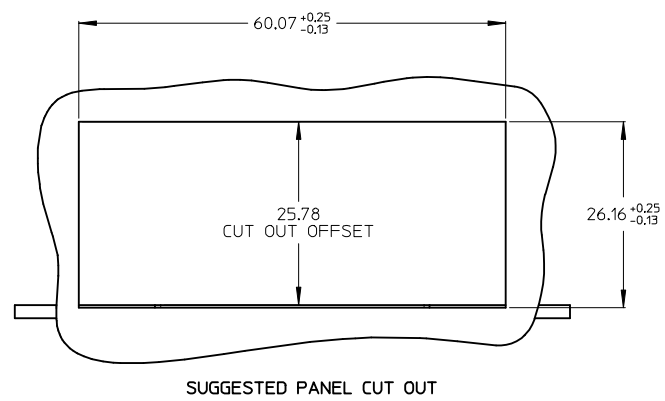


PCB LAYOUT: COMPONENT SIDE

REF DIM ADDED	EC NO:	2015/10/02	QUALITY SYMBOLS		GENERAL TOLERANCES (UNLESS SPECIFIED)		DIMENSION STYLE		SCALE	DESIGN UNITS	THIRD ANGLE PROJECTION	
	DRWN:	JBADER	$\nabla=0$		mm INCH		MM ONLY		3:1	METRIC		
	CHKD:	MMANGARUDOV	$\nabla=0$		4 PLACES ± --- ± ---	DRAWN BY	DATE	TITLE	GIGABIT MAGNETIC JACK 2X4 LED			
	APPR:	SSTE INKE			3 PLACES ± --- ± ---	MMANGARUDOV	2010/05/07					
					2 PLACES ± 0.25 ± ---	CHECKED BY	DATE					
					1 PLACE ± 0.5 ± ---	JBADER	2010/05/10					
					ANGULAR ± .5 °	APPROVED BY	DATE					
						SSTE INKE	2012/04/24					
						MATERIAL NO.		MOLEX INCORPORATED				
								SEE SHEET 3		DOCUMENT NO.	SD-85727-001	
								DRAFT WHERE APPLICABLE MUST REMAIN WITHIN DIMENSIONS		SHEET NO. 2 OF 4		
								THIS DRAWING CONTAINS INFORMATION THAT IS PROPRIETARY TO MOLEX INCORPORATED AND SHOULD NOT BE USED WITHOUT WRITTEN PERMISSION				



SEE NOTE 3



PART NUMBER	UPPER & LOWER LED LEFT		UPPER & LOWER LED RIGHT		DIMENSION -A- FOR SIGNAL PIN LENGTH	DIMENSION -B- FOR LED PIN LENGTH
	COLOUR 1	COLOUR 2	COLOUR 1	COLOUR 2		
85727-1001	GREEN		GREEN		3,56mm	3,56mm
85727-1002	GREEN		GREEN		3,56mm	3,56mm
	ORANGE		ORANGE			
85727-1003	GREEN		GREEN	YELLOW	3,56mm	3,56mm
	ORANGE		ORANGE			
85727-1004	GREEN		GREEN		3,56mm	3,56mm
	ORANGE		ORANGE			
85727-1006	GREEN		GREEN	ORANGE	3,56mm	3,56mm
	ORANGE		ORANGE			
85727-1008	GREEN		GREEN		3,56mm	3,56mm
	YELLOW		YELLOW			
85727-1012	YELLOW		YELLOW		3,56mm	3,56mm
	GREEN		GREEN			
85727-1013	YELLOW		YELLOW		3,56mm	3,56mm
	GREEN		GREEN			
85727-1014	YELLOW		YELLOW		3,56mm	3,56mm
	GREEN		GREEN			
85727-1016	GREEN		GREEN		3,56mm	3,56mm
	YELLOW		YELLOW			

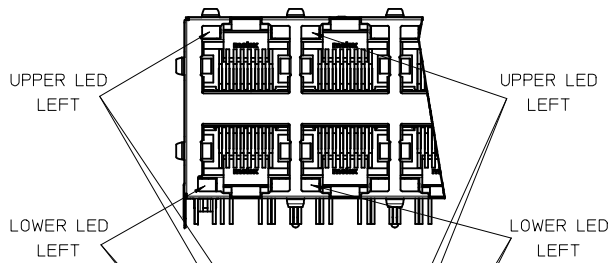
85727-3001	COLOUR 1	GREEN	COLOUR 1	GREEN	2,2mm	3,56mm
------------	----------	-------	----------	-------	-------	--------

85727-4001	COLOUR 1	GREEN	COLOUR 1	GREEN	2,5mm	3,56mm
------------	----------	-------	----------	-------	-------	--------

ADDITIONAL LED COLOURS AND CONFIGURATIONS AVAILABLE ON REQUEST

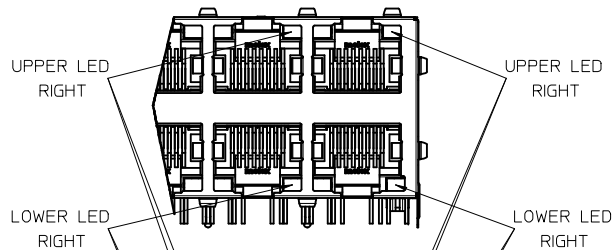
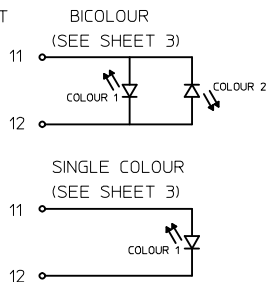
- NOTED:
 1 - PRINTING MARKED BY LASER
 2 - INSCRIPTION:
 1st LINE: PART NUMBER
 2nd LINE: DATE CODE (YEAR.MONTH.DAY) - MANUFACTURER ID - COSECUTIVE NUMBER
 3 - UL LOGO

NEW P/N ADDED EC NO: 2015/10/02 DRWN: JBADER CHKD: MMANGARUDOV 2015/10/02 APPR: SSTE INKE 2015/11/16	DESCRIPTION	QUALITY SYMBOLS	GENERAL TOLERANCES (UNLESS SPECIFIED)	DIMENSION STYLE	SCALE	DESIGN UNITS	THIRD ANGLE PROJECTION	
		▽=0	mm INCH	MM ONLY	2:1	METRIC		
		▽=0	4 PLACES ± --- ± ---	DRAWN BY DATE	TITLE			
			3 PLACES ± --- ± ---	MMANGARUDOV 2010/05/07	GIGABIT MAGNETIC JACK 2X4 LED			
	2 PLACES ± 0.25 ± ---	CHECKED BY DATE	MOLEX MOLEX INCORPORATED					
	1 PLACE ± 0.5 ± ---	JBADER 2010/05/10	SD-85727-001					
	ANGULAR ± .5 °	APPROVED BY DATE	SHEET NO. 3 OF 4					
		SSTE INKE 2012/04/24	INCORPORATED AND SHOULD NOT BE USED WITHOUT WRITTEN PERMISSION					
		MATERIAL NO.	DOCUMENT NO.					
		SEE BOM						
		DRAFT WHERE APPLICABLE MUST REMAIN WITHIN DIMENSIONS						



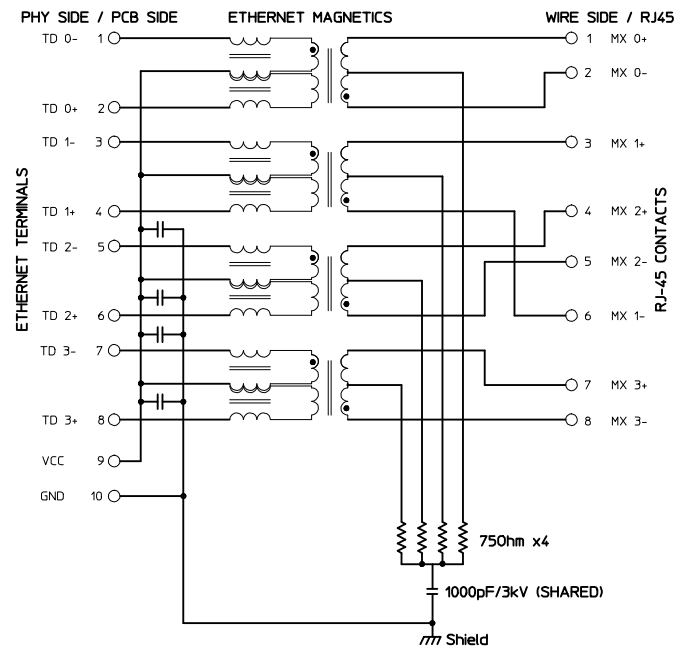
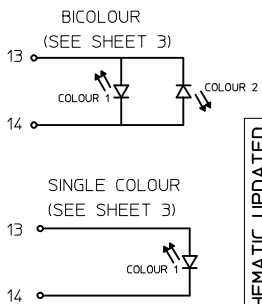
UPPER & LOWER LEFT LED		
PIN POSITION	COLOUR 1	COLOUR 2
11	+	-
12	-	+

COMPONENT VIEW



UPPER & LOWER RIGHT LED		
PIN POSITION	COLOUR 1	COLOUR 2
13	+	+
14	-	-

COMPONENT VIEW



PIN	ETHERNET MAGNETICS
1	TD 0-
2	TD 0+
3	TD 1-
4	TD 1+
5	TD 2-
6	TD 2+
7	TD 3-
8	TD 3+
9	Vcc
10	GND

SCHEMATIC UPDATED EC NO: 2015/10/02 DRWN: JBADER CHKD: MMANGARDOV 2015/10/02 APPR: SSTEINKE 2015/11/16	QUALITY SYMBOLS 	GENERAL TOLERANCES (UNLESS SPECIFIED) <table border="1"> <tr> <th></th> <th>mm</th> <th>INCH</th> </tr> <tr> <td>4 PLACES ±</td> <td>0.25</td> <td>0.010</td> </tr> <tr> <td>3 PLACES ±</td> <td>0.20</td> <td>0.008</td> </tr> <tr> <td>2 PLACES ±</td> <td>0.15</td> <td>0.006</td> </tr> <tr> <td>1 PLACE ±</td> <td>0.10</td> <td>0.004</td> </tr> <tr> <td colspan="3">ANGULAR ± .5 °</td> </tr> </table>		mm	INCH	4 PLACES ±	0.25	0.010	3 PLACES ±	0.20	0.008	2 PLACES ±	0.15	0.006	1 PLACE ±	0.10	0.004	ANGULAR ± .5 °			DIMENSION STYLE MM ONLY	SCALE 2:1	DESIGN UNITS METRIC	THIRD ANGLE PROJECTION
				mm	INCH																			
4 PLACES ±	0.25	0.010																						
3 PLACES ±	0.20	0.008																						
2 PLACES ±	0.15	0.006																						
1 PLACE ±	0.10	0.004																						
ANGULAR ± .5 °																								
DRAWN BY: MMANGARDOV 2010/05/07 CHECKED BY: JBADER 2010/05/10 APPROVED BY: SSTEINKE 2012/04/24	TITLE GIGABIT MAGNETIC JACK 2X4 LED	MATERIAL NO. SEE SHEET 3	DOCUMENT NO. SD-85727-001	SHEET NO. 4 OF 4																				
DRAFT WHERE APPLICABLE MUST REMAIN WITHIN DIMENSIONS		THIS DRAWING CONTAINS INFORMATION THAT IS PROPRIETARY TO MOLEX INCORPORATED AND SHOULD NOT BE USED WITHOUT WRITTEN PERMISSION																						