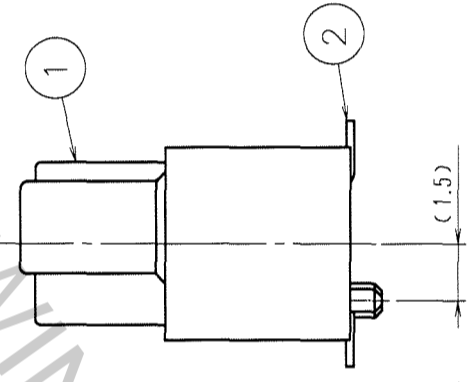
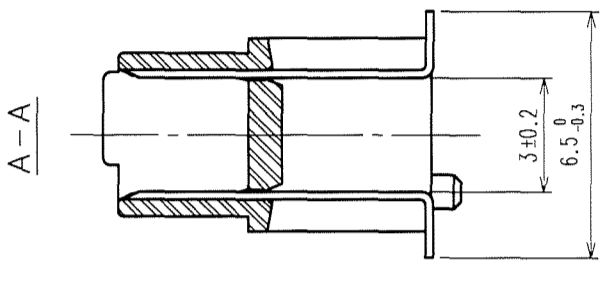
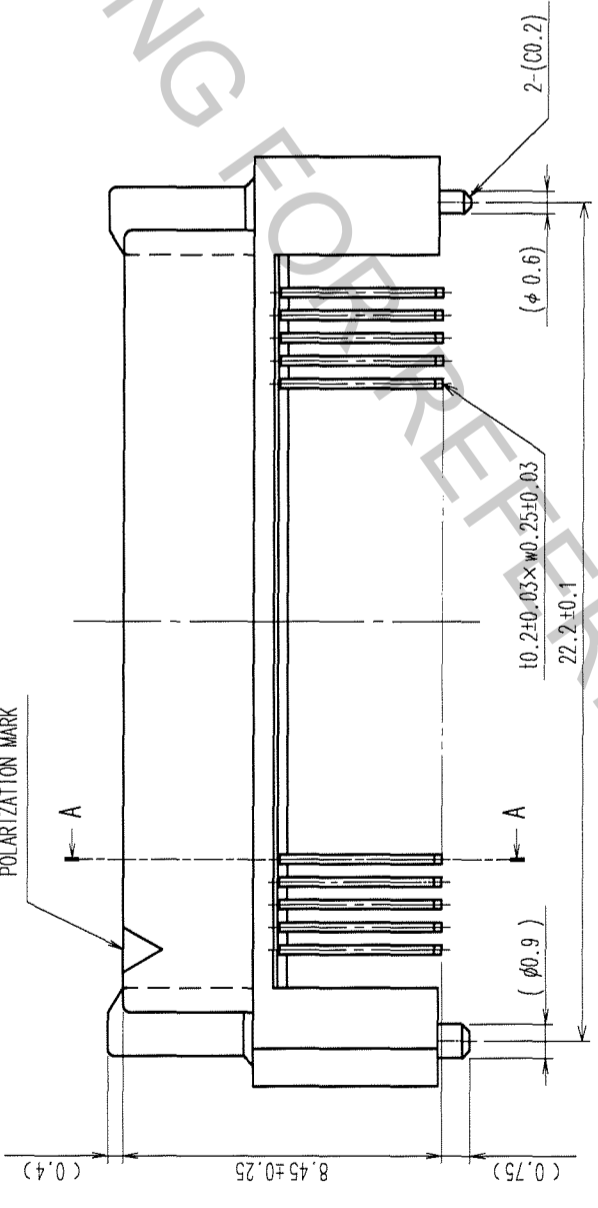
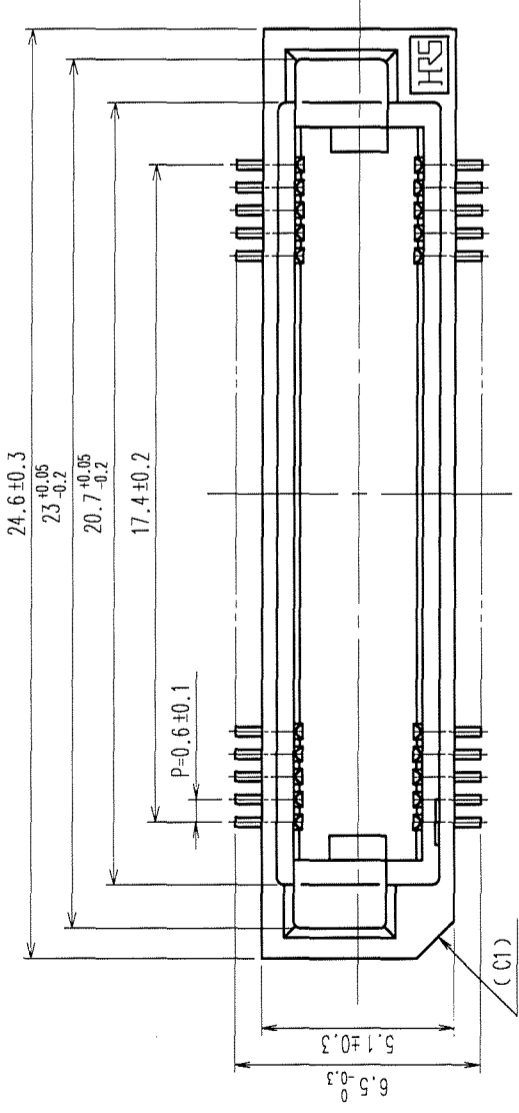
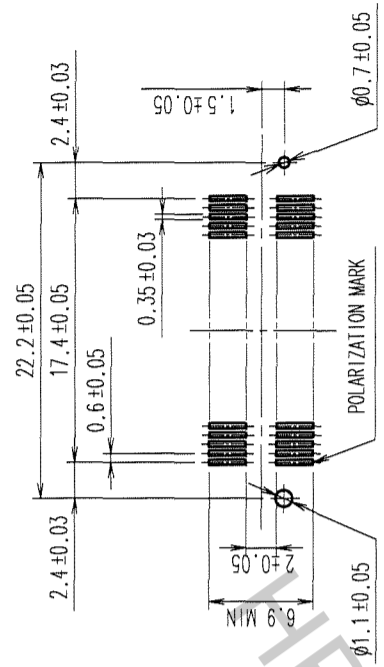


COUNT	DESCRIPTION OF REVISIONS	BY	CHKD	DATE	COUNT	DESCRIPTION OF REVISIONS	BY	CHKD	DATE

RECOMMENDED LAND PATTERN DIMENSION OF PCB (MOUNTING SIDE) (2:1)



- NOTE 1. LEAD CO-PLANARITY SHALL BE 0.1mm MAX.
 2. FOR MODIFICATION, ETC., PREVENTIVE HOLE FOR SINK MARK MAY BE ADDED ACCORDING TO CIRCUMSTANCES.
 3. THE DIMENSIONS IN PARENTHESES ARE FOR REFERENCE.

1	PPS	LIGHT BROWN (UL94V-0)	2	PHOSPHOR BRONZE	CONTACT AREA: GOLD 0.1 μm min. LEAD AREA: TIN-PLATING 1 μm min. UNDER PLATING: NICKEL 1 μm min.
NO.	MATERIAL	FINISH, REMARKS	NO.	MATERIAL	FINISH, REMARKS
CODE NO. (COLD) CL					
DRAWN K. NAKAMURA		DESIGNED K. NAKAMURA		CHECKED K. Ogawa	APPROVED H. Okawa
05.11.17		05.11.17		05.11.21	05.11.21
DRAWING NO. EDC3-150861-25		PART NO. FX8C-60P-SV4(71)		RELEASED	
SCALE 5 : 1		CODE NO. CL578-0581-8-71		1 / 1	
UNITS mm		HIROSE ELECTRIC CO., LTD.		FORM NO. 229	

TO
PCK