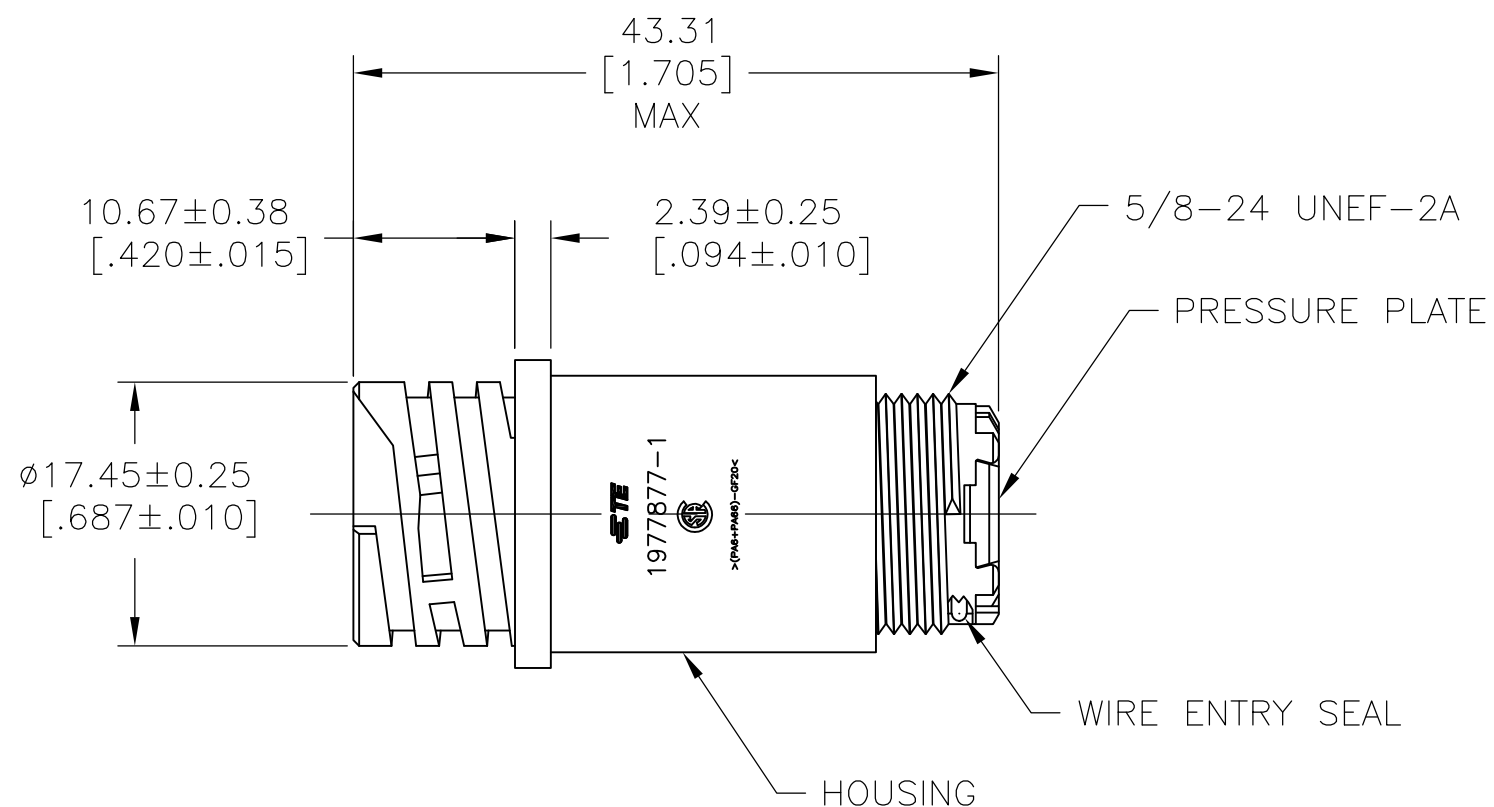
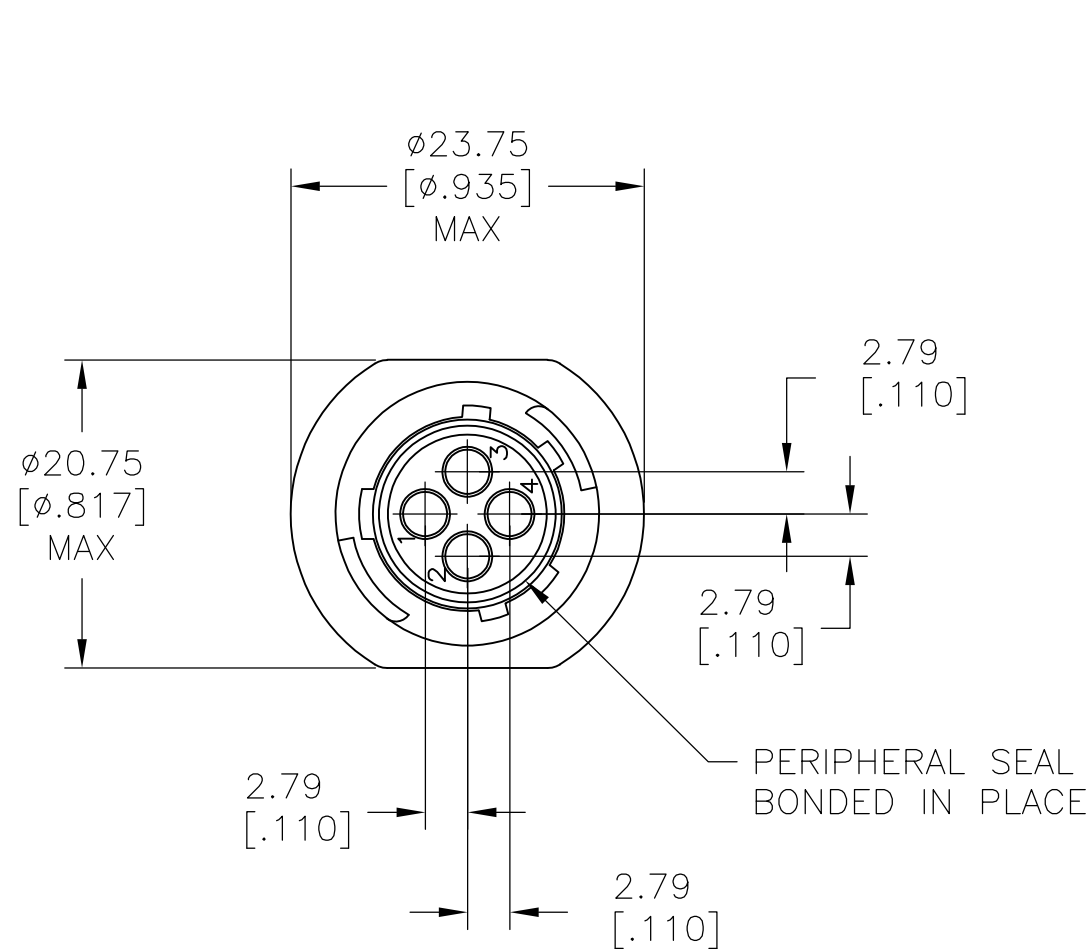


THIS DRAWING IS UNPUBLISHED. RELEASED FOR PUBLICATION  
 © COPYRIGHT - By - ALL RIGHTS RESERVED.

LOC	DIST	REVISIONS			
P	LTR	DESCRIPTION	DATE	DWN	APVD
FT	4	A	NEW DRAWING PER ECO-12-018480	08NOV12	KH MZ



1 THIS PART WILL ACCEPT FOUR (4) MULTIMATE PIN CONTACTS.

2 HOUSING AND PRESSURE PLATE: NYLON, BLACK.  
 PERIPHERAL SEAL: ELASTOMER, GRAY.  
 WIRE ENTRY SEAL: ELASTOMER, RED-IRON OXIDE.

1977877-1  
 PART NUMBER

THIS DRAWING IS A CONTROLLED DOCUMENT.		DWN KIRAN HOLAL 08NOV12	TE Connectivity			
DIMENSIONS: mm [INCHES]		CHK M ZITTO 08NOV12				
TOLERANCES UNLESS OTHERWISE SPECIFIED:		APVD M ZITTO 08NOV12	NAME CPC FREE HANGING RECEPTACLE ASSEMBLY,SERIES 1, SEALED,11-4, STANDARD SEX, UV RESISTANT			
0 PLC ± - 1 PLC ± - 2 PLC ± 0.13 [.005] 3 PLC ± - 4 PLC ± - ANGLES ± -		PRODUCT SPEC	APPLICATION SPEC			
MATERIAL		FINISH	SIZE	CAGE CODE	DRAWING NO	RESTRICTED TO
2		-	A3	00779	C-1977877	-
CUSTOMER DRAWING			SCALE	SHEET	REV	
			2:1	1 OF 1	A	